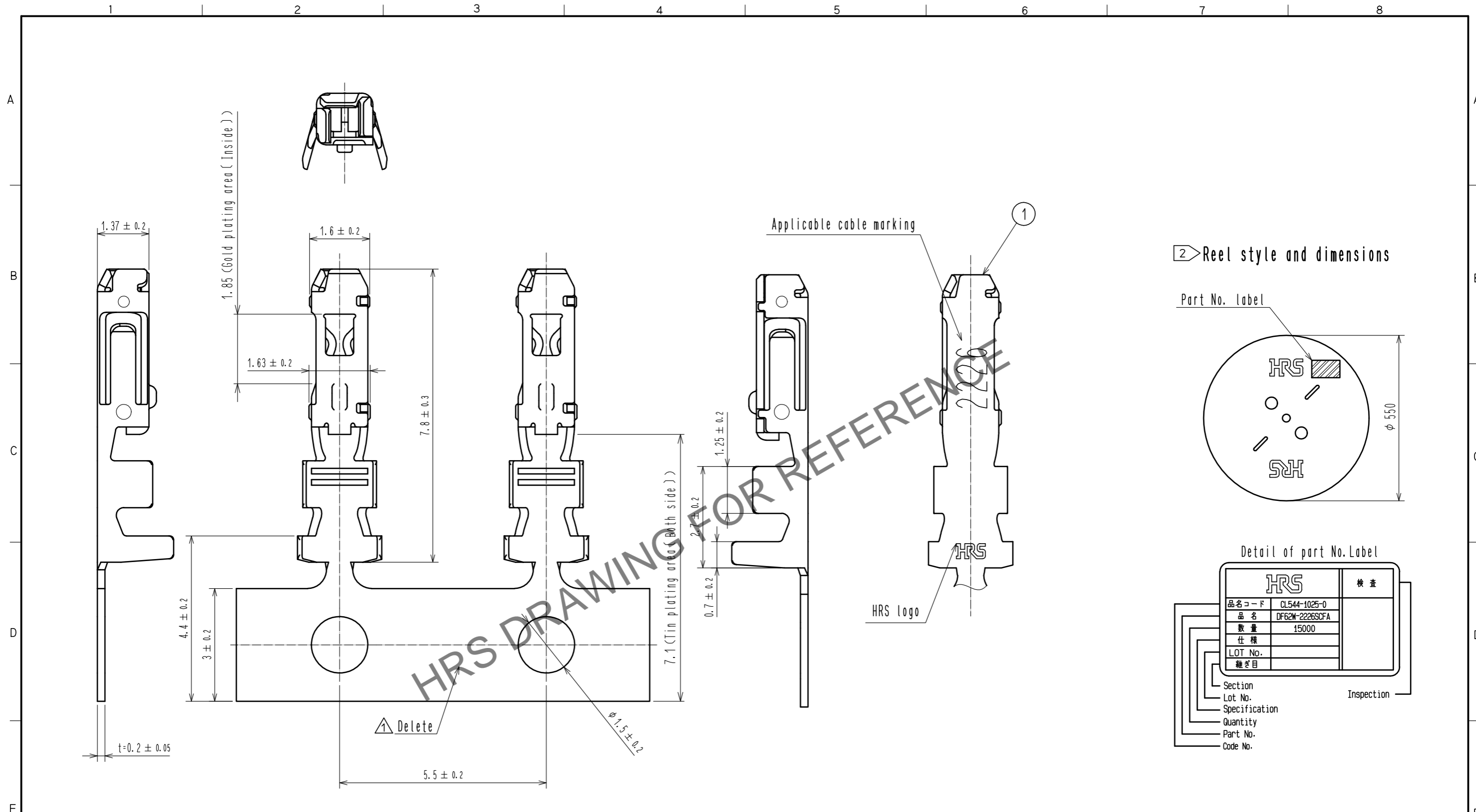
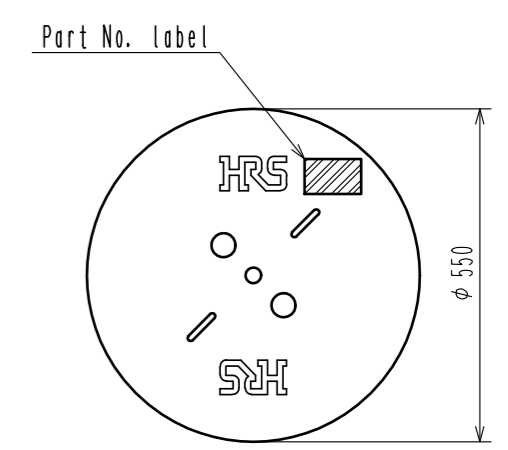


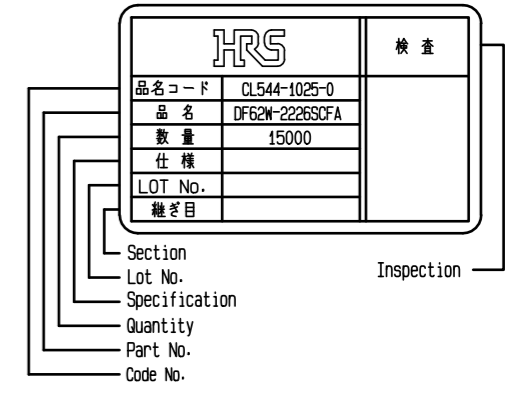
Jun.1.2024 Copyright 2024 HIROSE ELECTRIC CO., LTD. All Rights Reserved.
 In case of consideration for using Automotive equipment / device which demand high reliability, kindly contact our sales window correspondents.



2 Reel style and dimensions



Detail of part No. Label



Notes

- 1RL : 15000 contacts.
- 2 Style of reel and box are shown in figure.
- Up to 5 reels are packed up in one box.
- Please be sure to check the form of crimping using a cable when you adjust applicator.
- Always refer to the manuals below for operation of this product.
 For Cable assembly / Cable assembly procedure ETAD-H0760
 For Mating/Unmating / Operation manual ETAD-H0761

NO.	MATERIAL	FINISH . REMARKS	NO.	MATERIAL	FINISH . REMARKS		
1	Phosphor bronze	Contact area:Gold plating 0.2μm min Carrier/Barrel area:Tin plating 1μm min Others : Nickel plating 0.5 μm min					
UNITS mm		SCALE 10: 1	COUNT 1	DESCRIPTION OF REVISIONS DIS-H-00001435	DESIGNED YK. YAMAGUCHI	CHECKED TS. FUKUSHIMA	DATE 16. 03. 04
HRS HIROSE ELECTRIC CO., LTD.		APPROVED : KI. AKIYAMA 15. 12. 14	DRAWING NO. EDC-364715-00-00				
		CHECKED : TS. FUKUSHIMA 15. 12. 14	PART NO. DF62W-2226SCFA				
		DESIGNED : YK. YAMAGUCHI 15. 12. 11	CODE NO. CL544-1025-0-00				
		DRAWN : MI. SAKIMURA 15. 12. 11					