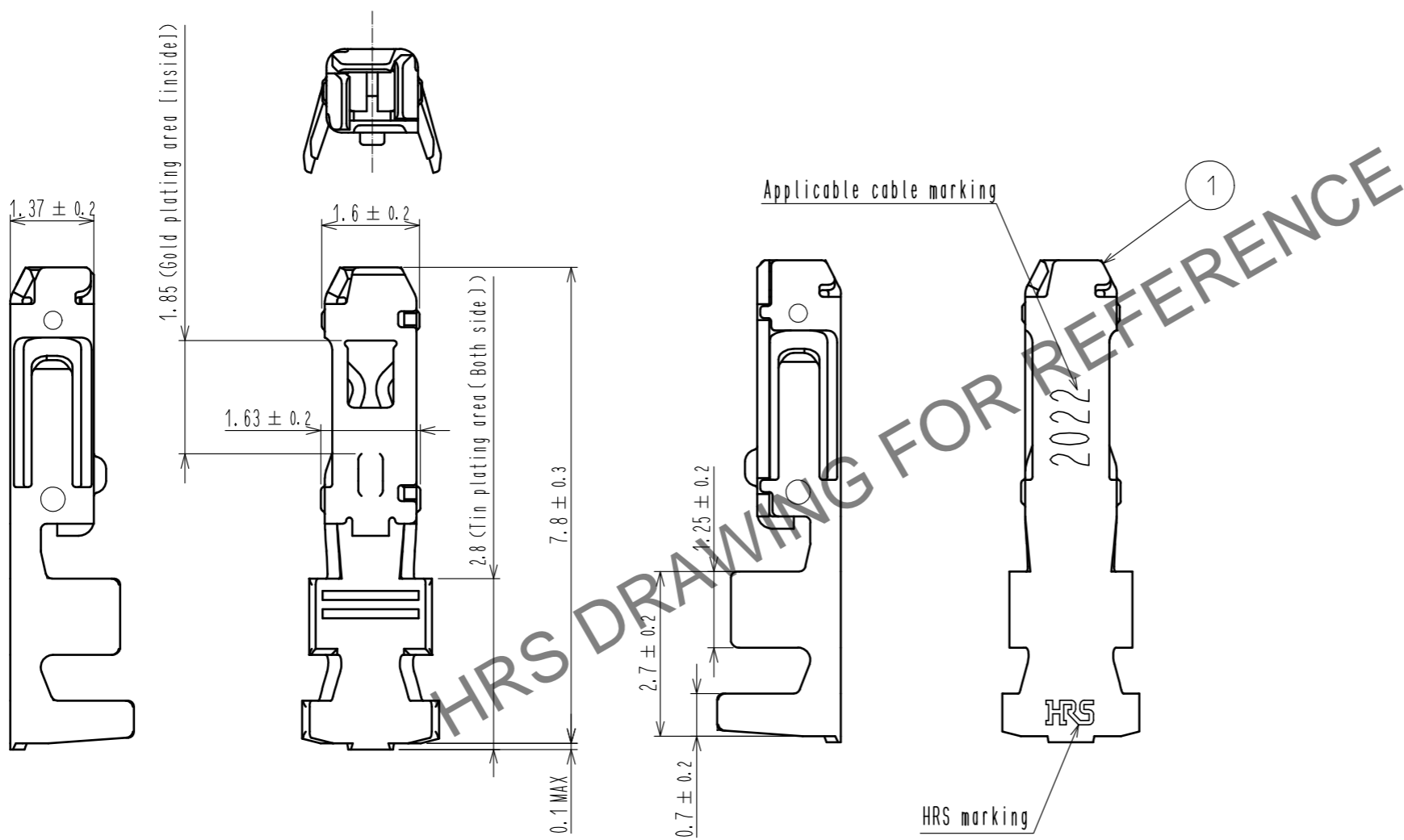


Jun.1.2024 Copyright 2024 HIROSE ELECTRIC CO., LTD. All Rights Reserved.  
 In case of consideration for using Automotive equipment / device which demand high reliability, kindly contact our sales window correspondents.



Note 1. Per pack : 100 pieces.

NO.		MATERIAL		FINISH . REMARKS		NO.		MATERIAL		FINISH . REMARKS	
1		Phosphor bronze		Contact area:Gold plating 0.2μm min Barrel area :Tin plating 1μm min Others : Nickel plating 0.5 μm min							
UNITS	mm	SCALE	10 : 1	COUNT	△	DESCRIPTION OF REVISIONS		DESIGNED	CHECKED	DATE	
<b>HRS</b> HIROSE ELECTRIC CO., LTD.		APPROVED	: HS. OKAWA	17.06.07	DRAWING NO.		EDC-372899-00-00				
		CHECKED	: TS. FUKUSHIMA	17.06.07	PART NO.		DF62W-2022SCA				
		DESIGNED	: HT. SATO	17.06.06	CODE NO.		CL544-1045-0-00				
		DRAWN	: MI. SAKIMURA	17.06.06			△ 1/1				