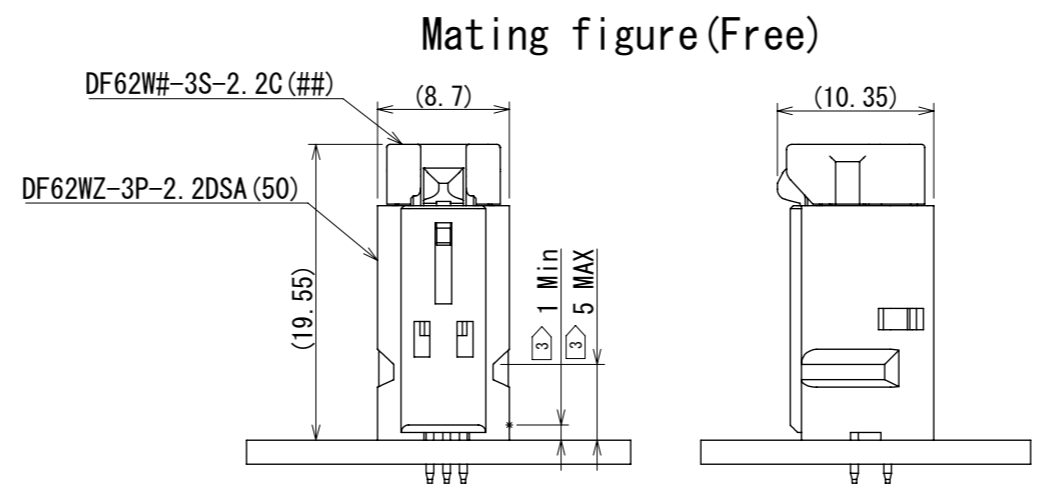
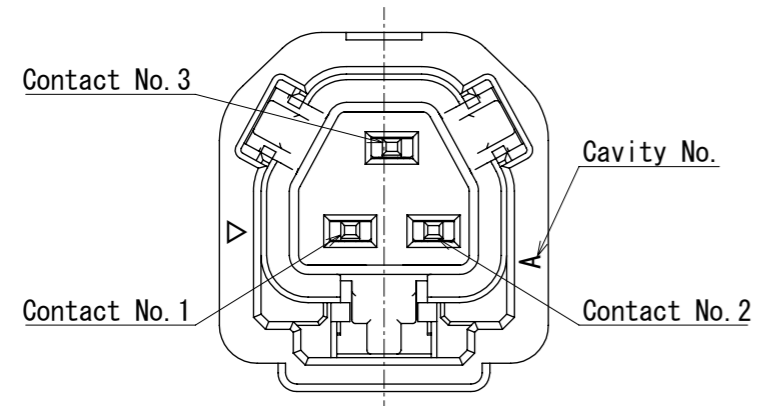
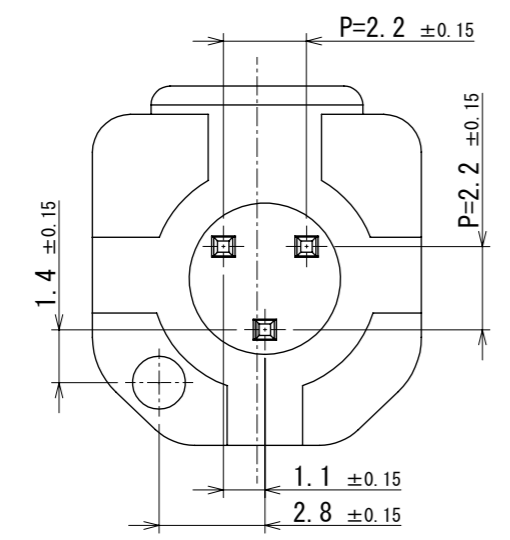
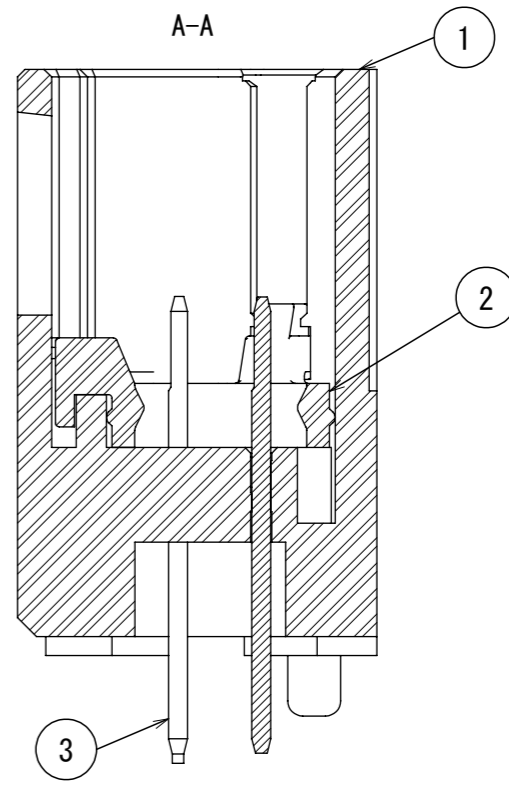
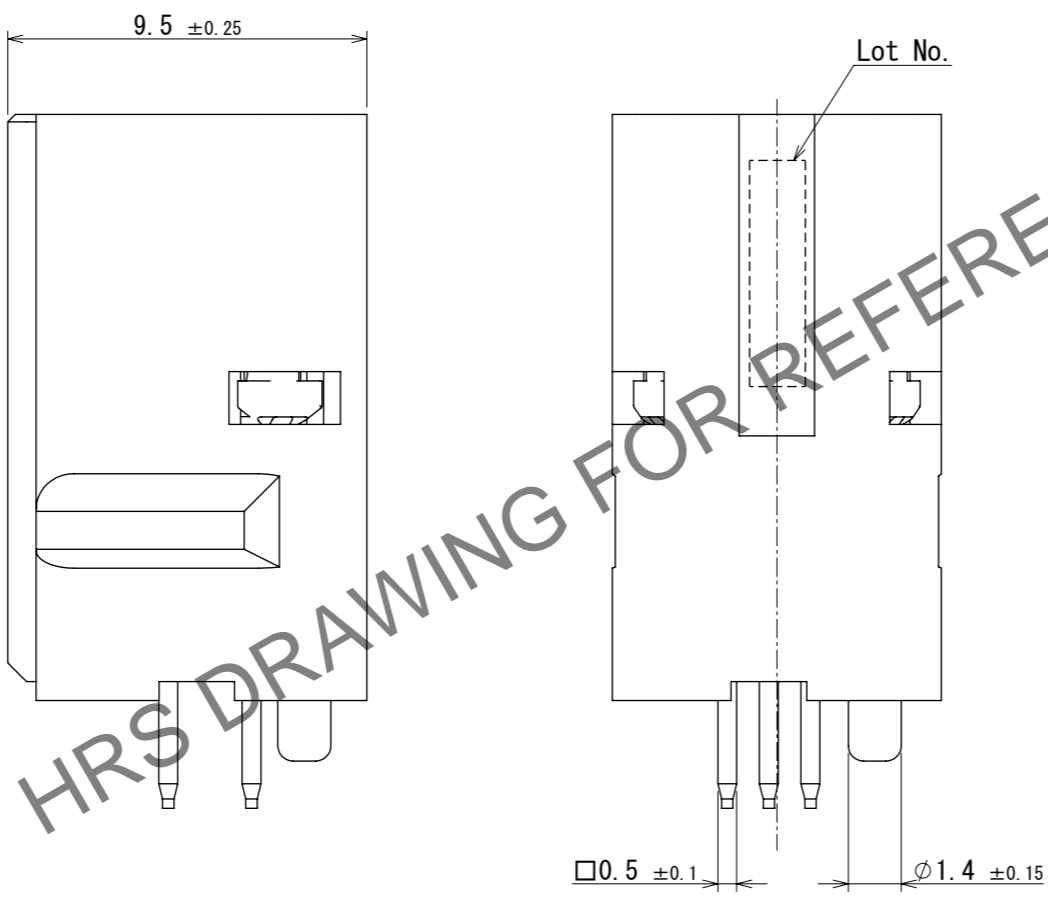
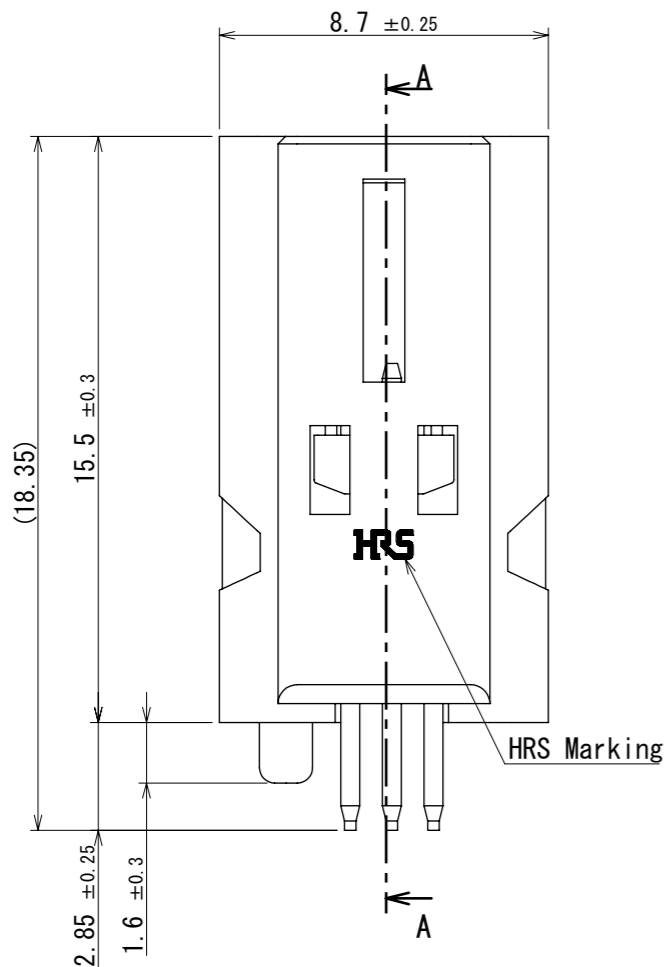
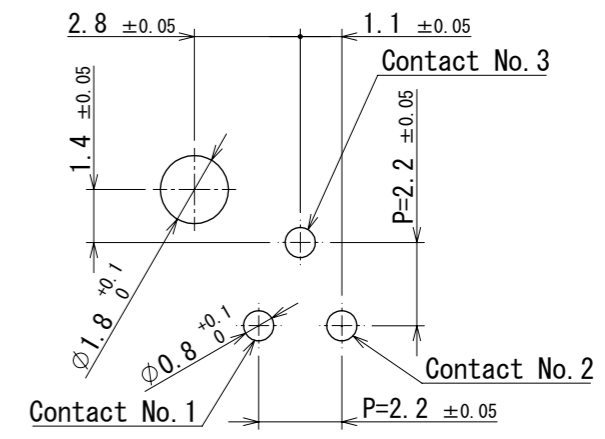


Apr.1.2026 Copyright 2026 HIROSE ELECTRIC CO., LTD. All Rights Reserved.  
In case of consideration for using Automotive equipment / device which demand high reliability, kindly contact our sales window correspondents.



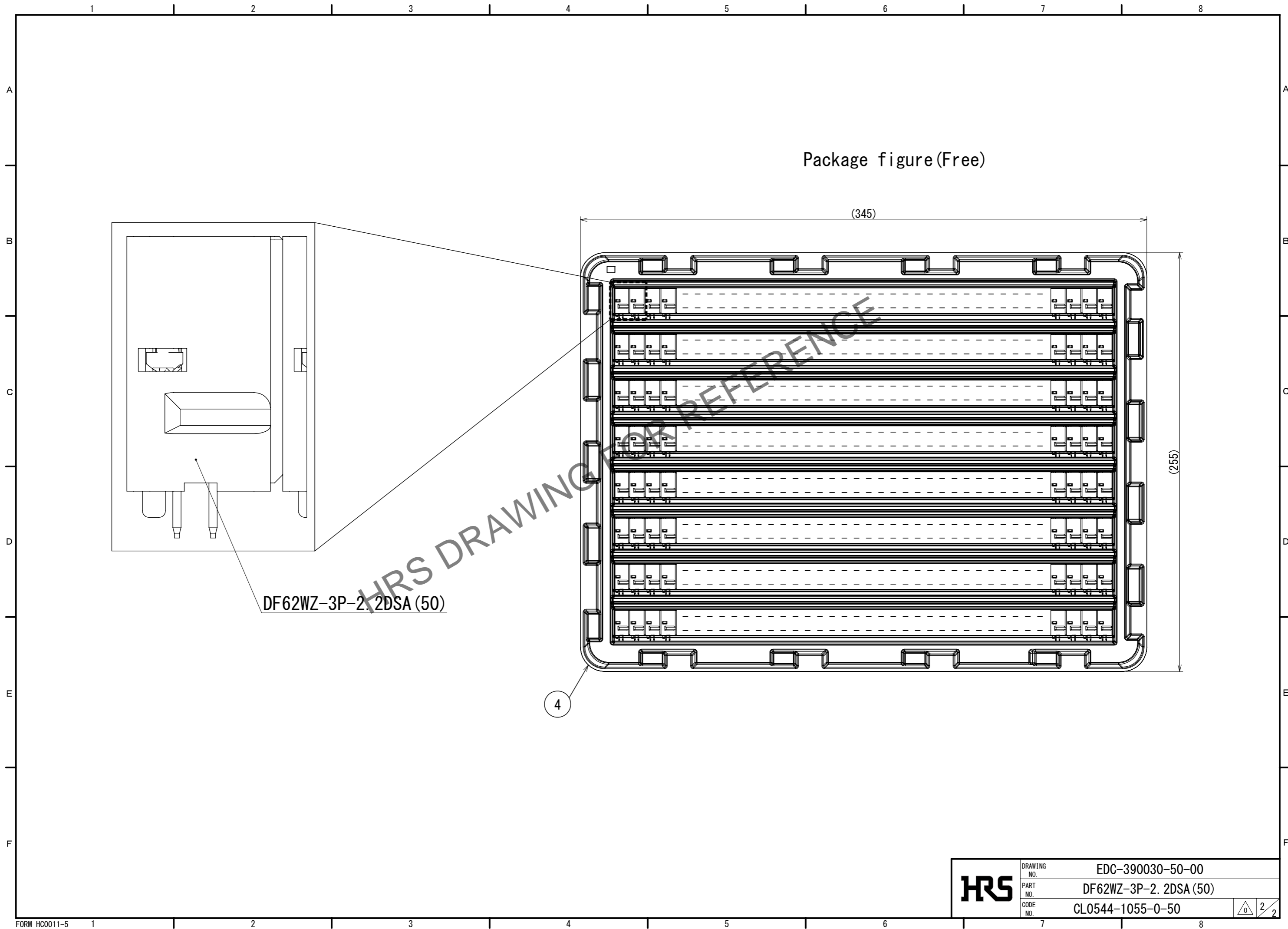
Recommended pattern (Free)  
(Recommended board thickness  $t=1.6\text{mm}$ )



- Note
- MAX 256 pieces/tray. Sales unit: 256 pieces.
  - The dimension in parenthesis are for reference.
  - Potting is required for use.  
Potting height: 1 mm to 5 mm
  - Always refer to the manuals below for operation of this product.  
For mating, unmating / Operation manual ETAD-H0761  
For operation / Board-to-wire Connector Guidelines ETAD-H1023

3	Brass	Contact area : AuPO. 2μm min. DIP area : SnP1 μm min. Others : NiPO. 5μm min.	4	PS	Tray, WHITE			
1	PBT	UL94V-0 (BLACK)	2	Silicone rubber	Bengara			
NO.	MATERIAL	FINISH	REMARKS	NO.	MATERIAL	FINISH	REMARKS	
UNITS		SCALE	COUNT	DESCRIPTION OF REVISIONS		DESIGNED	CHECKED	DATE
mm		5:1						
<b>HRS</b> HIROSE ELECTRIC CO., LTD.		APPROVED : SJ. OKAMURA	2025. 09. 04	DRAWING NO. EDC-390030-50-00				
		CHECKED : HT. SATO	2025. 09. 04	PART NO. DF62WZ-3P-2.2DSA(50)				
		DESIGNED : YT. NIITSUMA	2025. 09. 04	CODE NO. CL0544-1055-0-50				
		DRAWN : YT. NIITSUMA	2025. 09. 04					

Apr.1.2026 Copyright 2026 HIROSE ELECTRIC CO., LTD. All Rights Reserved.  
In case of consideration for using Automotive equipment / device which demand high reliability, kindly contact our sales window correspondents.



<b>HRS</b>	DRAWING NO.	EDC-390030-50-00
	PART NO.	DF62WZ-3P-2.2DSA (50)
	CODE NO.	GL0544-1055-0-50
		2/2