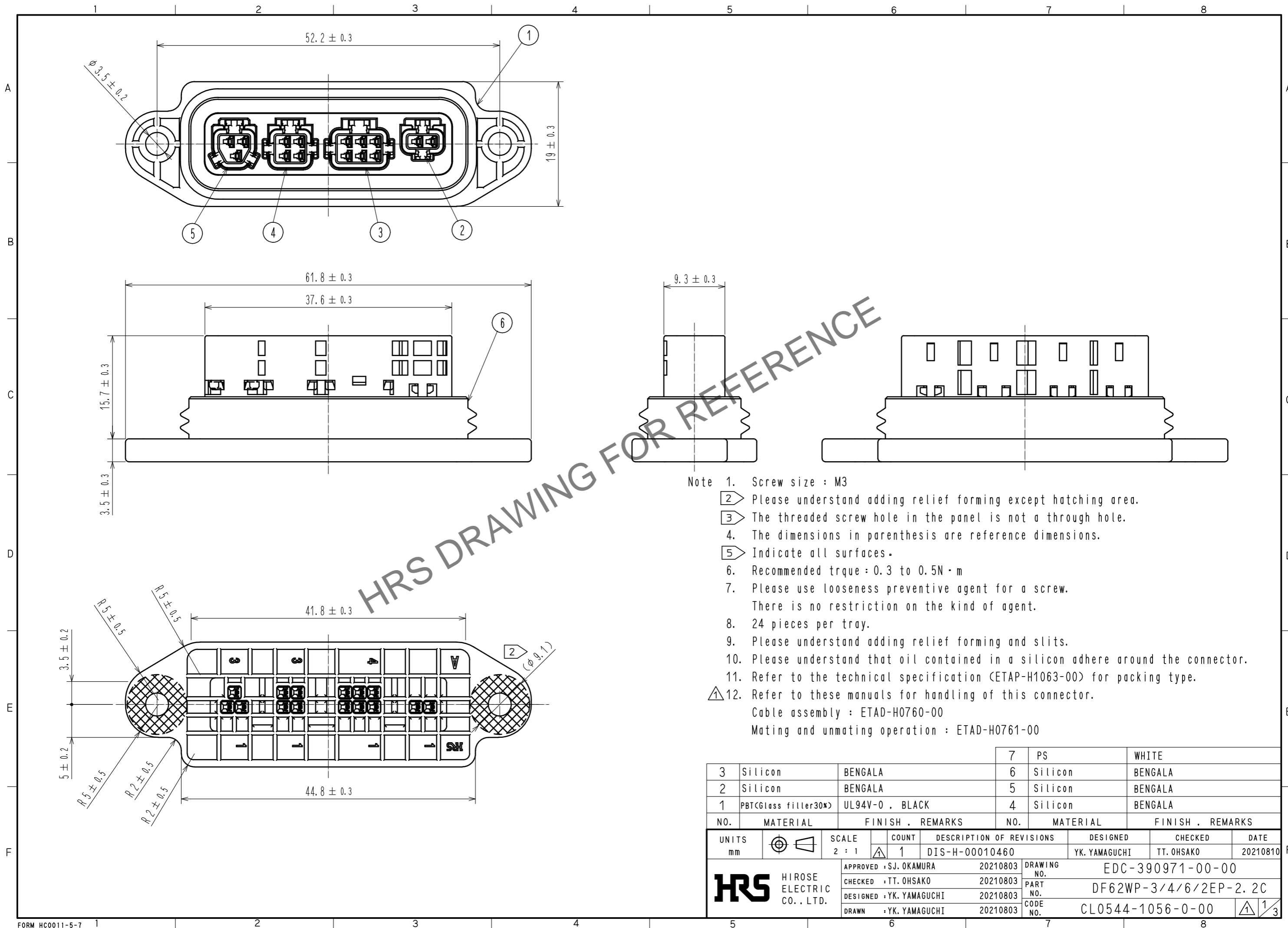


Sep.1.2024 Copyright 2024 HIROSE ELECTRIC CO., LTD. All Rights Reserved.
In case of consideration for using Automotive equipment / device which demand high reliability, kindly contact our sales window correspondents.



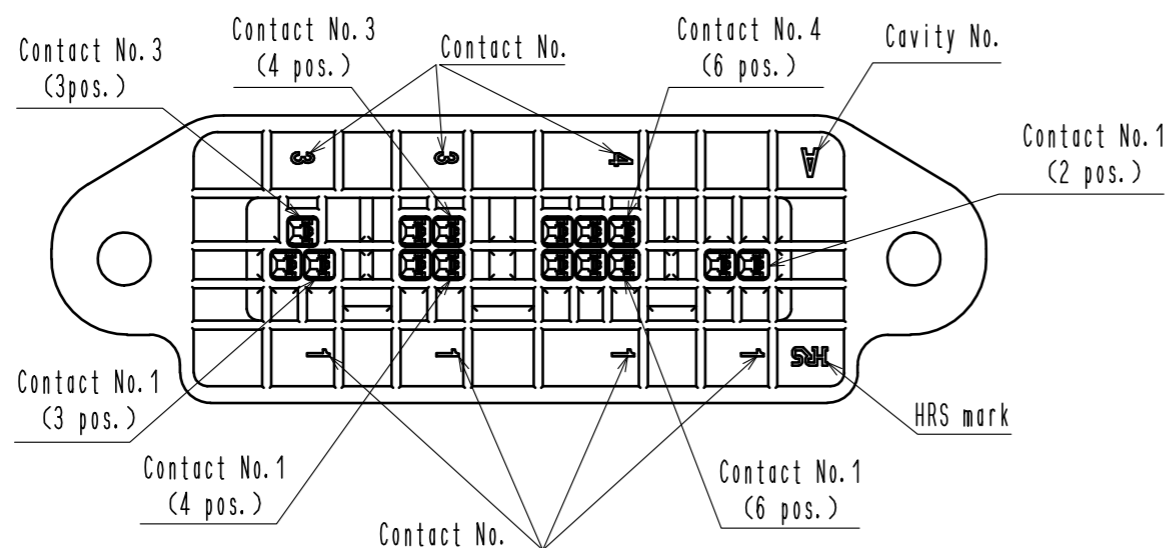
HRS DRAWING FOR REFERENCE

- Note
1. Screw size : M3
 2. Please understand adding relief forming except hatching area.
 3. The threaded screw hole in the panel is not a through hole.
 4. The dimensions in parenthesis are reference dimensions.
 5. Indicate all surfaces.
 6. Recommended torque : 0.3 to 0.5N·m
 7. Please use looseness preventive agent for a screw.
There is no restriction on the kind of agent.
 8. 24 pieces per tray.
 9. Please understand adding relief forming and slits.
 10. Please understand that oil contained in a silicon adhere around the connector.
 11. Refer to the technical specification (ETAP-H1063-00) for packing type.
 12. Refer to these manuals for handling of this connector.
Cable assembly : ETAD-H0760-00
Mating and unmating operation : ETAD-H0761-00

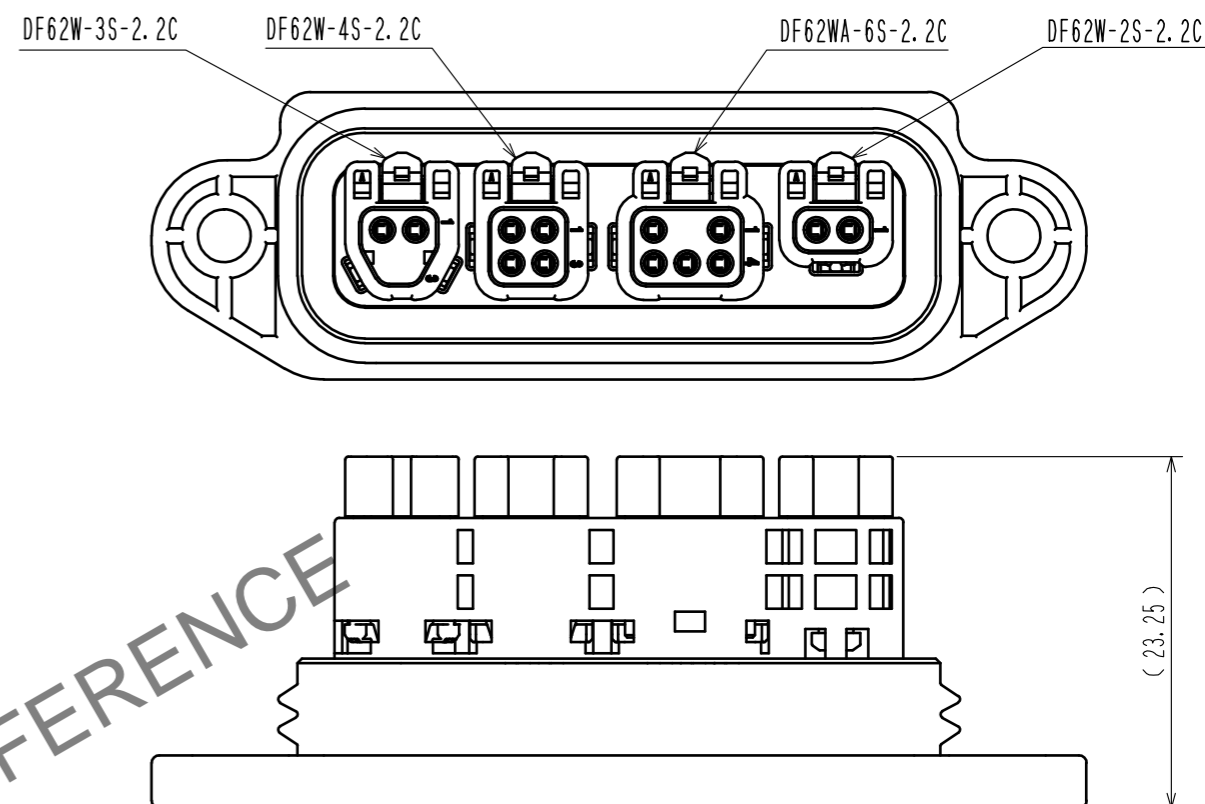
3	Silicon	BENGALA	7	PS	WHITE
2	Silicon	BENGALA	6	Silicon	BENGALA
1	PBT(Glass filler30%)	UL94V-0 , BLACK	5	Silicon	BENGALA
			4	Silicon	BENGALA
NO.	MATERIAL	FINISH . REMARKS	NO.	MATERIAL	FINISH . REMARKS
UNITS		SCALE	COUNT	DESCRIPTION OF REVISIONS	
mm		2 : 1	1	DIS-H-00010460	
HRS HIROSE ELECTRIC CO., LTD.		APPROVED : SJ. OKAMURA	20210803	DESIGNED	YK. YAMAGUCHI
		CHECKED : TT. OHSAKO	20210803	CHECKED	TT. OHSAKO
		DESIGNED : YK. YAMAGUCHI	20210803	DATE	20210810
		DRAWN : YK. YAMAGUCHI	20210803	DRAWING NO. EDC-390971-00-00	
				PART NO. DF62WP-3/4/6/2EP-2.2C	
				CODE NO. CL0544-1056-0-00	
				1/3	

Sep.1.2024 Copyright 2024 HIROSE ELECTRIC CO., LTD. All Rights Reserved.
 In case of consideration for using Automotive equipment / device which demand high reliability, kindly contact our sales window correspondents.

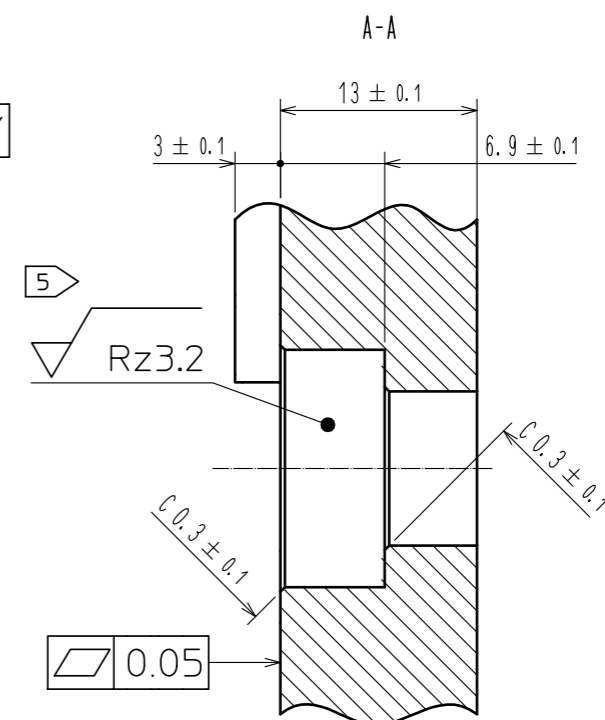
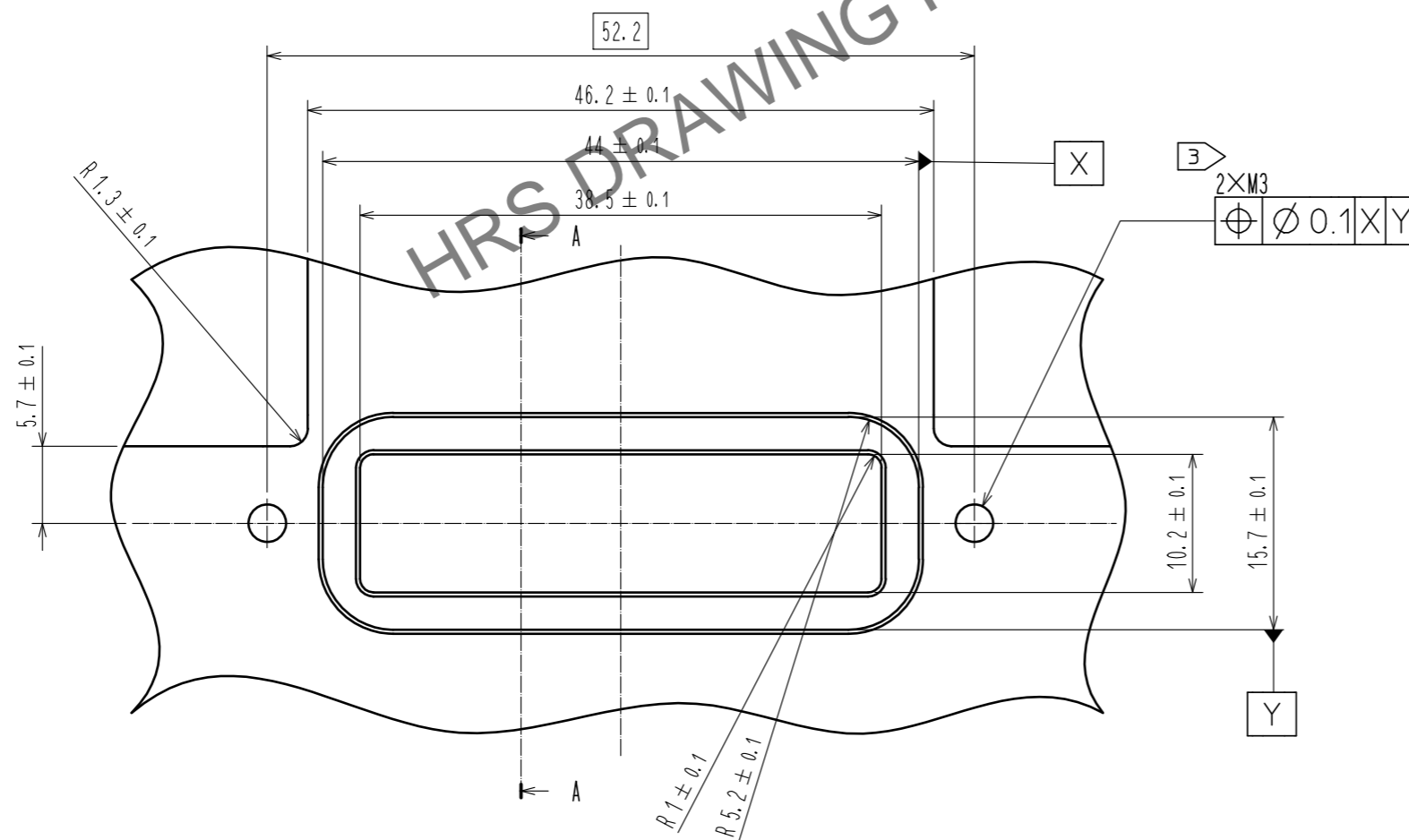
The display of contact No. and position and marks.



Mating condition



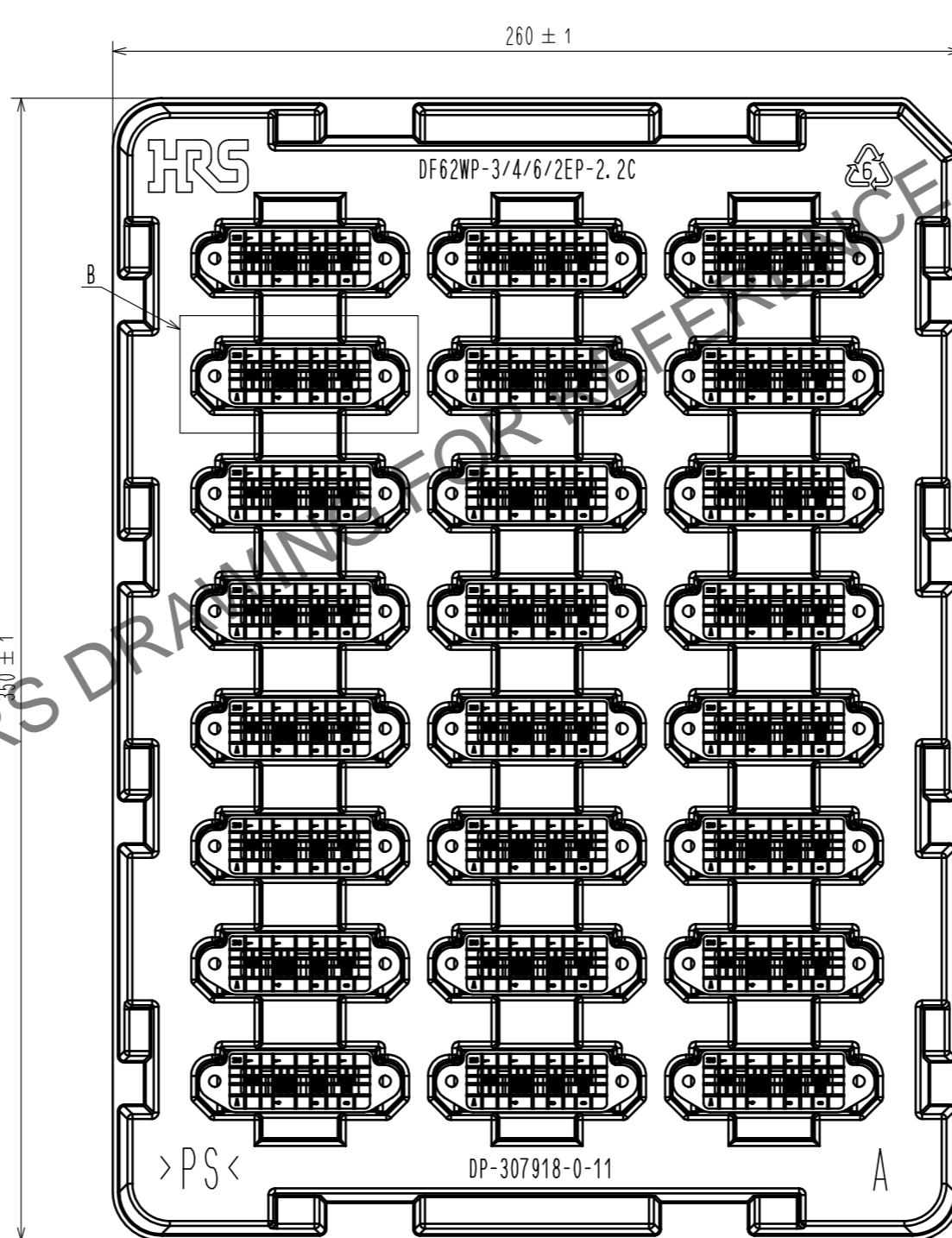
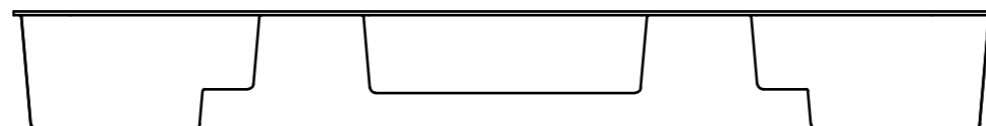
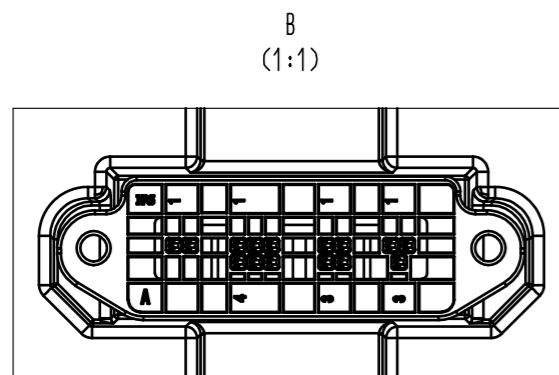
Recommended dimension of the panel



HRS	DRAWING NO.	EDC-390971-00-00
	PART NO.	DF62WP-3/4/6/2EP-2.2C
	CODE NO.	CL0544-1056-0-00
		\triangle 2/3

Sep.1.2024 Copyright 2024 HIROSE ELECTRIC CO., LTD. All Rights Reserved.
In case of consideration for using Automotive equipment / device which demand high reliability, kindly contact our sales window correspondents.

Packing condition (1 : 2)



HRS	DRAWING NO.	EDC-390971-00-00
	PART NO.	DF62WP-3/4/6/2EP-2.2C
	CODE NO.	CL0544-1056-0-00
		3/3