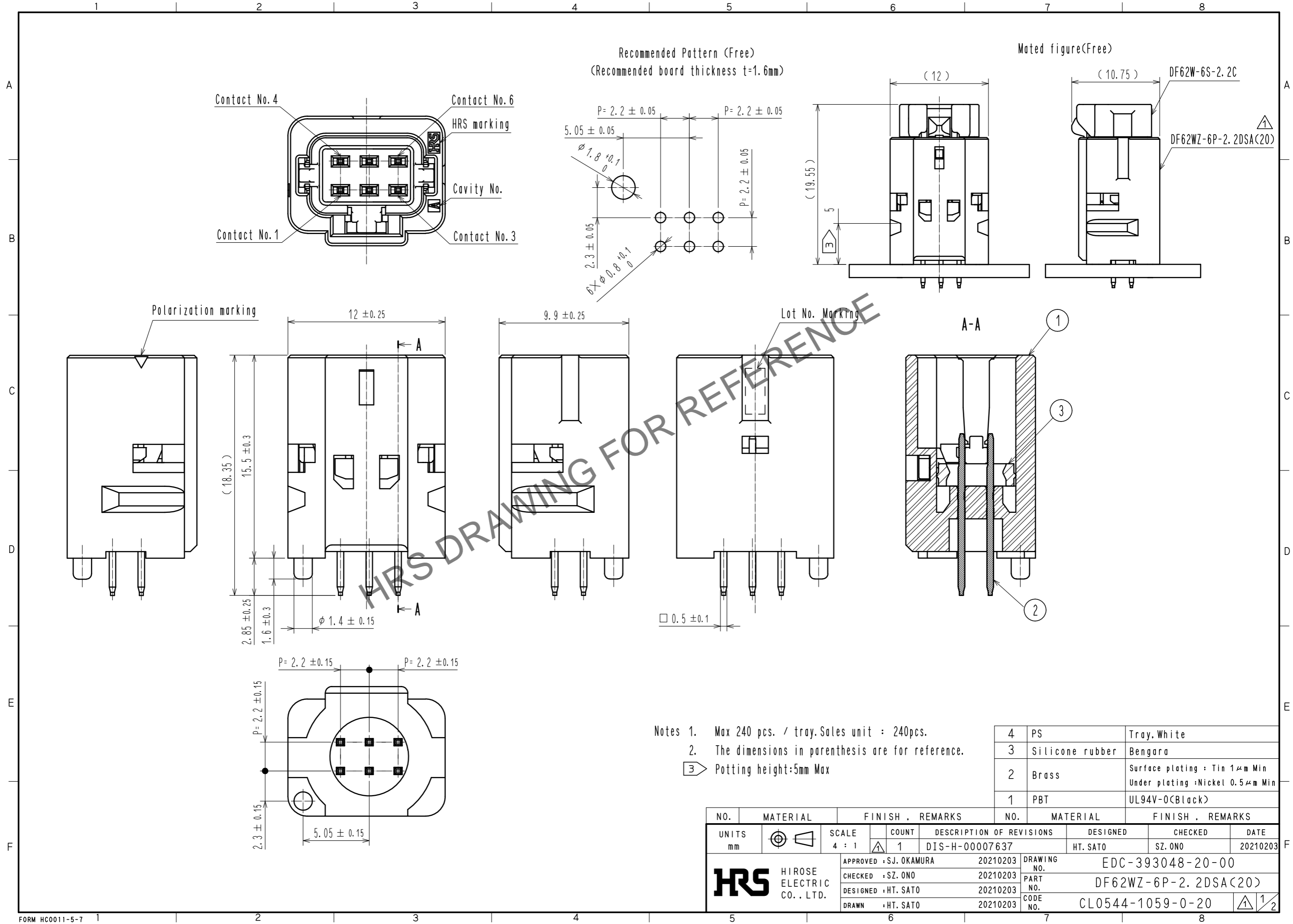


Aug.1.2024 Copyright 2024 HIROSE ELECTRIC CO., LTD. All Rights Reserved.  
 In case of consideration for using Automotive equipment / device which demand high reliability, kindly contact our sales window correspondents.

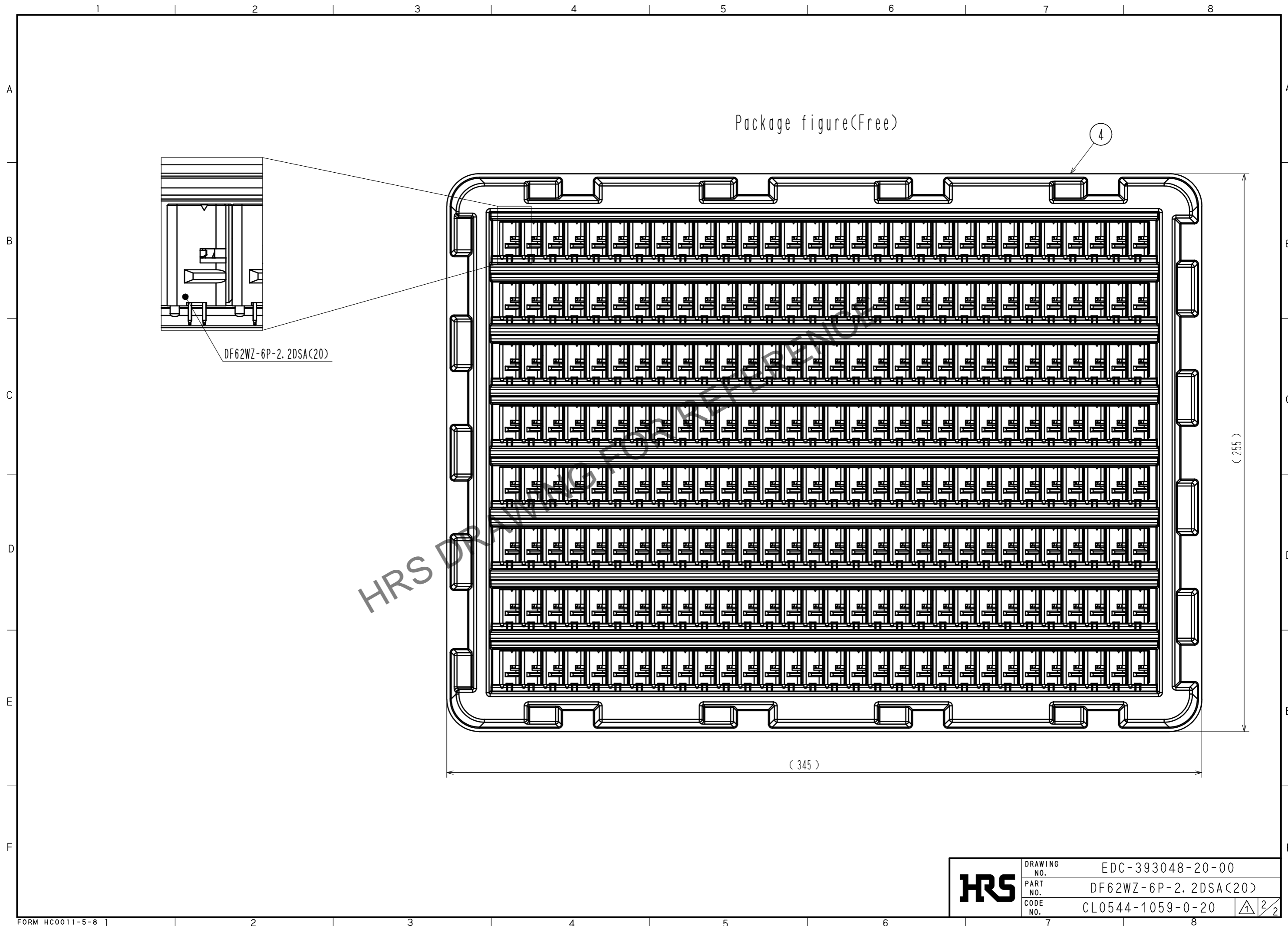


- Notes 1. Max 240 pcs. / tray. Sales unit : 240pcs.  
 2. The dimensions in parenthesis are for reference.  
 ③ Potting height:5mm Max

4	PS	Tray. White
3	Silicone rubber	Bengara
2	Brass	Surface plating : Tin 1μm Min Under plating : Nickel 0.5μm Min
1	PBT	UL94V-0(Black)

NO.	MATERIAL	FINISH . REMARKS	NO.	MATERIAL	FINISH . REMARKS		
UNITS	mm	SCALE	COUNT	DESCRIPTION OF REVISIONS	DESIGNED	CHECKED	DATE
		4 : 1	1	DIS-H-00007637	HT. SATO	SZ. ONO	20210203
<b>HRS</b> HIROSE ELECTRIC CO., LTD.		APPROVED : SJ. OKAMURA	20210203	DRAWING NO. EDC-393048-20-00			
		CHECKED : SZ. ONO	20210203	PART NO. DF62WZ-6P-2.2DSA(20)			
		DESIGNED : HT. SATO	20210203	CODE NO. CL0544-1059-0-20			
		DRAWN : HT. SATO	20210203			1/2	

Aug.1.2024 Copyright 2024 HIROSE ELECTRIC CO., LTD. All Rights Reserved.  
In case of consideration for using Automotive equipment / device which demand high reliability, kindly contact our sales window correspondents.



<b>HRS</b>	DRAWING NO.	EDC-393048-20-00
	PART NO.	DF62WZ-6P-2.2DSA(20)
	CODE NO.	CL0544-1059-0-20
		2/2