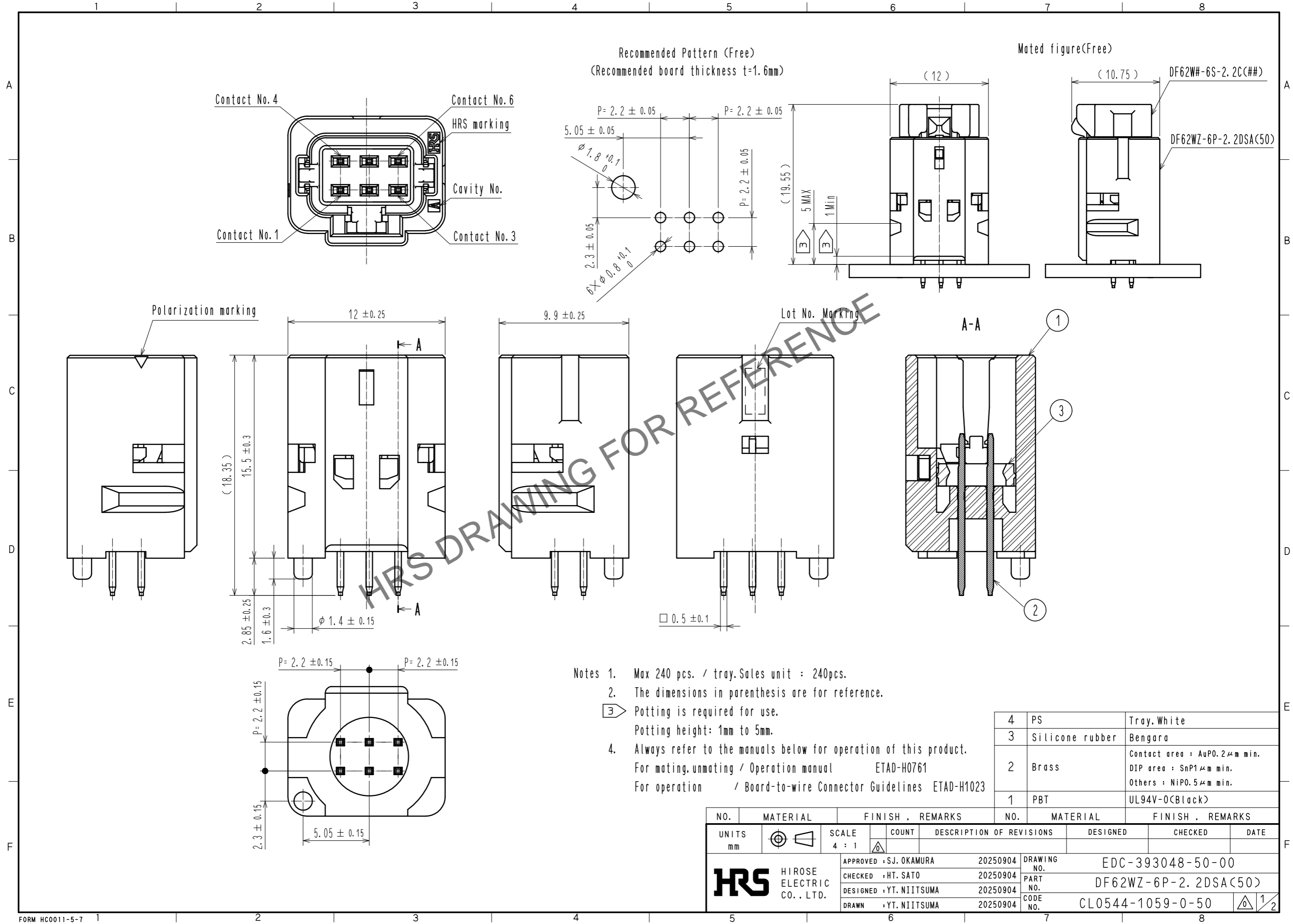


Apr.1.2026 Copyright 2026 HIROSE ELECTRIC CO., LTD. All Rights Reserved.
In case of consideration for using Automotive equipment / device which demand high reliability, kindly contact our sales window correspondents.

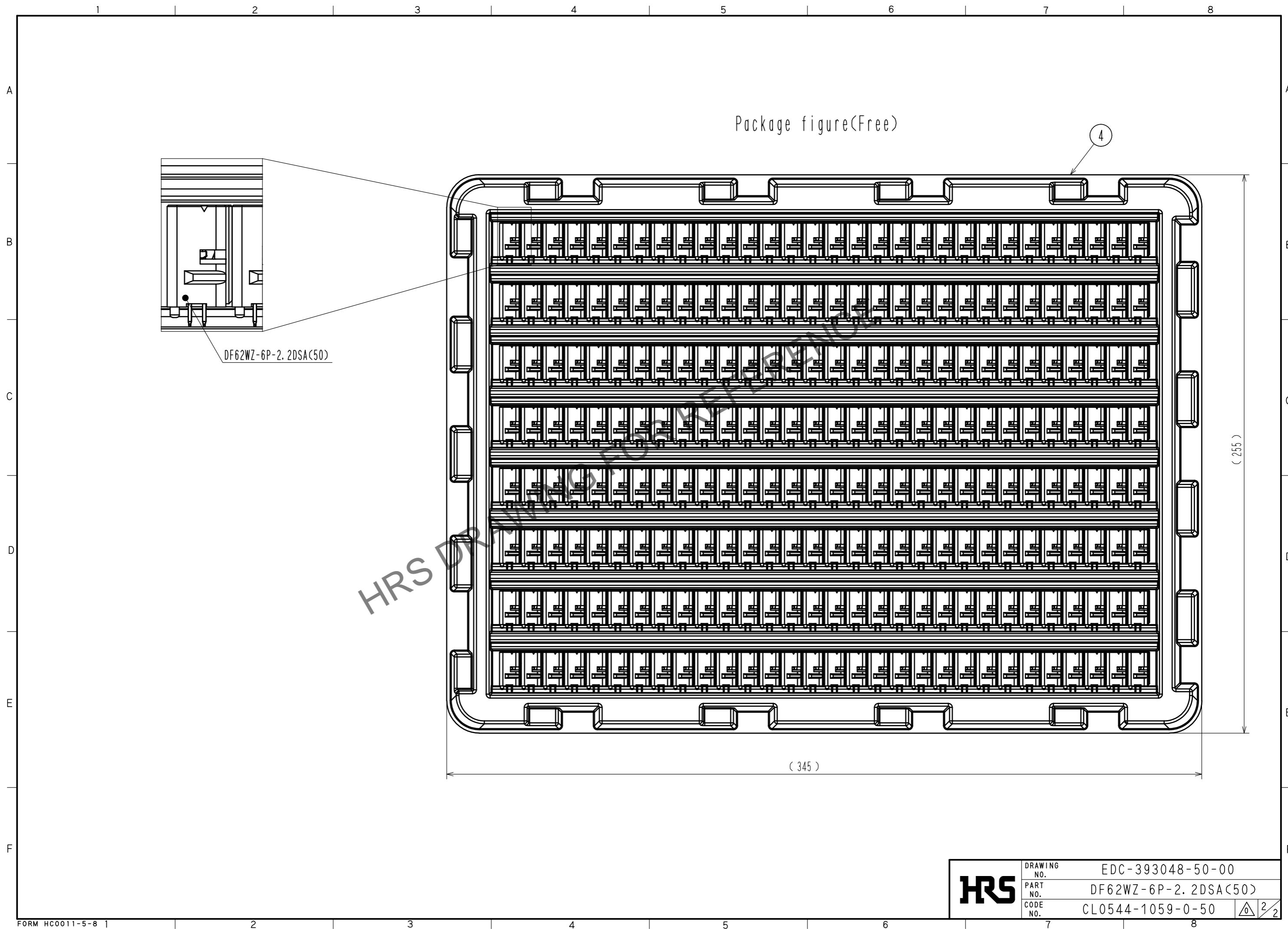


- Notes
- Max 240 pcs. / tray. Sales unit : 240pcs.
 - The dimensions in parenthesis are for reference.
 - Potting is required for use.
Potting height: 1mm to 5mm.
 - Always refer to the manuals below for operation of this product.
For mating, unmating / Operation manual ETAD-H0761
For operation / Board-to-wire Connector Guidelines ETAD-H1023

4	PS	Tray. White
3	Silicone rubber	Bengara
2	Brass	Contact area : AuP0.2 μm min. DIP area : SnP1 μm min. Others : NiP0.5 μm min.
1	PBT	UL94V-0(Black)

NO.	MATERIAL	FINISH . REMARKS	NO.	MATERIAL	FINISH . REMARKS
UNITS	\odot \triangle	SCALE	COUNT	DESCRIPTION OF REVISIONS	
mm		4 : 1	\triangle	DESIGNED	CHECKED
APPROVED : SJ. OKAMURA 20250904			DRAWING NO. EDC-393048-50-00		
CHECKED : HT. SATO 20250904			PART NO. DF62WZ-6P-2.2DSA(50)		
DESIGNED : YT. NIITSUMA 20250904			CODE NO. CL0544-1059-0-50		
DRAWN : YT. NIITSUMA 20250904			DATE		

Apr.1.2026 Copyright 2026 HIROSE ELECTRIC CO., LTD. All Rights Reserved.
In case of consideration for using Automotive equipment / device which demand high reliability, kindly contact our sales window correspondents.



HRS	DRAWING NO.	EDC-393048-50-00
	PART NO.	DF62WZ-6P-2.2DSA(50)
	CODE NO.	CL0544-1059-0-50
		2/2