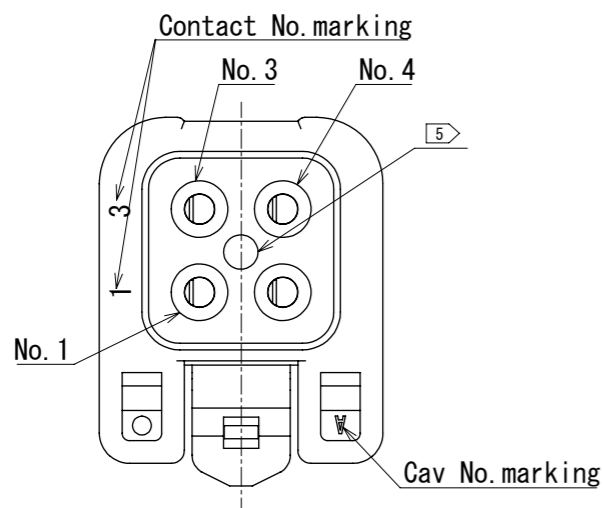
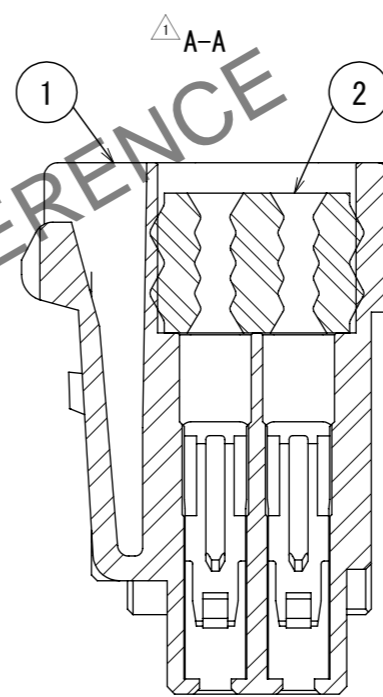
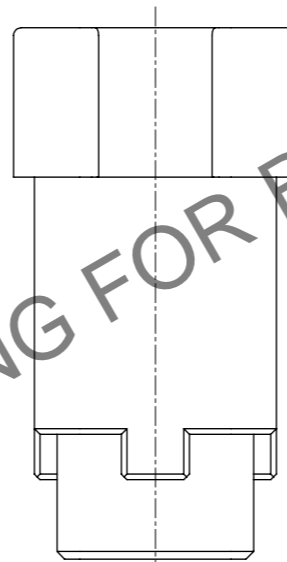
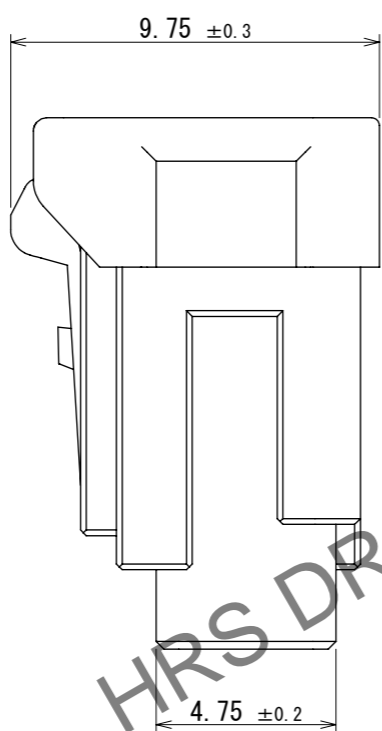
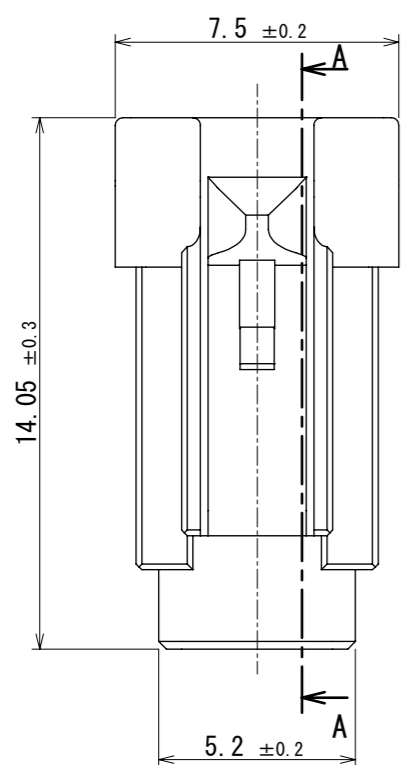
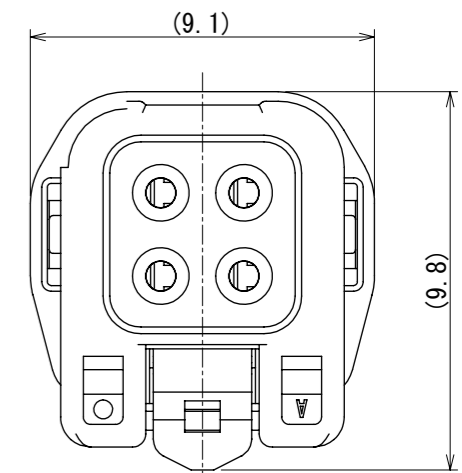


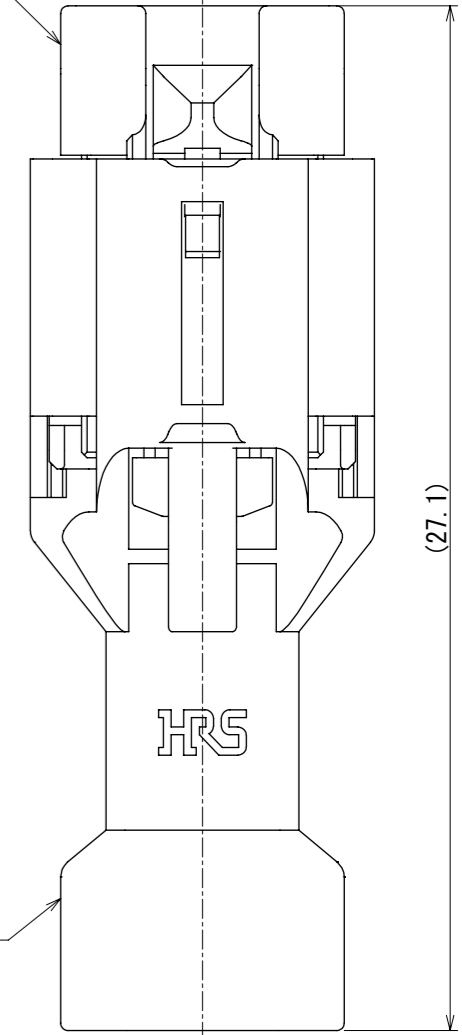
Mar.1.2026 Copyright 2026 HIROSE ELECTRIC CO., LTD. All Rights Reserved.
In case of consideration for using Automotive equipment / device which demand high reliability, kindly contact our sales window correspondents.



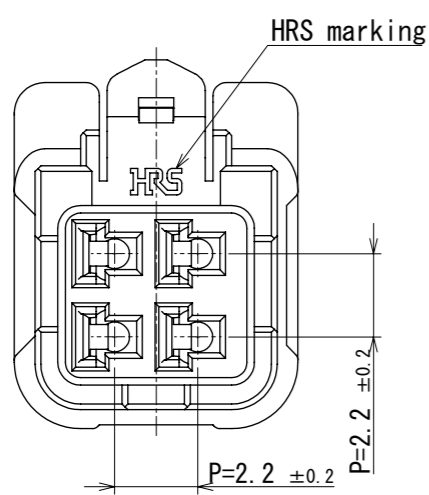
Mated figure



DF62WZC-4S-2.2C



DF62W#-4EP-2.2C(##)



Notes.

1. 100 pcs. / bag
2. The dimensions in parenthesis are reference dimensions.
3. Always refer to the manuals below for operation of this product.
For cable assembly / Cable assembly procedure ETAD-H0760
For mating/unmating / Operation manual ETAD-H0761
⚠ For operation / Board-to-Wire Connector Guidelines ETAD-H1023
4. Applicable insulation diameter : $\phi 0.98$ to $\phi 1.2$ mm.
5. Although the gate mark on the waterproof wire seal (part No.2) may be mounted upside down, there is no difference in performance.

1	PBT	UL94V-0(White)	2	Silicone rubber	Gray			
NO.	MATERIAL	FINISH	REMARKS	NO.	MATERIAL	FINISH	REMARKS	
UNITS		SCALE	COUNT	DESCRIPTION OF REVISIONS		DESIGNED	CHECKED	DATE
mm		5:1	2	DIS-H-00022154		KI. SUGAWARA	HT. SATO	2024. 12. 23
		APPROVED : SJ. OKAMURA 2024. 12. 20 CHECKED : HT. SATO 2024. 12. 19 DESIGNED : KI. SUGAWARA 2024. 12. 19 DRAWN : KI. SUGAWARA 2024. 12. 19		DRAWING NO. EDC-403927-00-00 PART NO. DF62WZC-4S-2.2C CODE NO. CL0544-1109-0-00				1/1