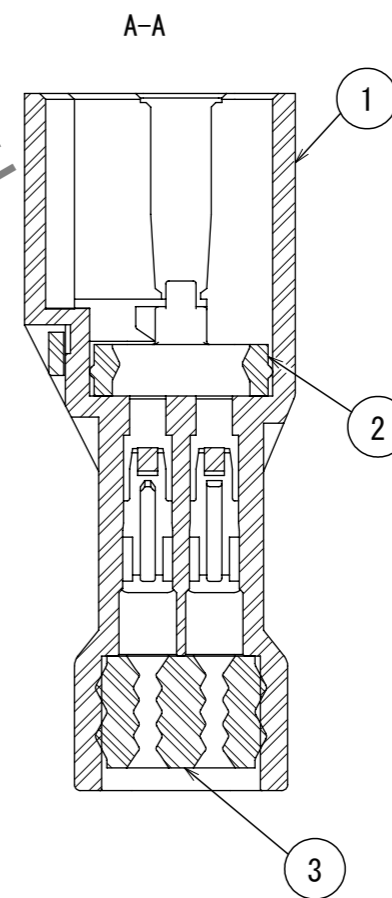
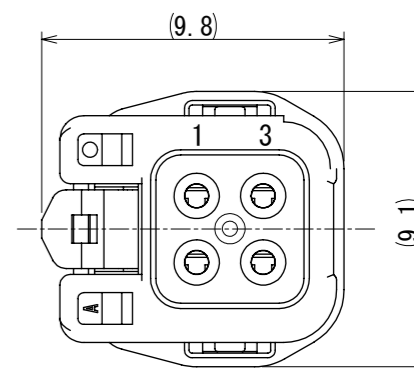
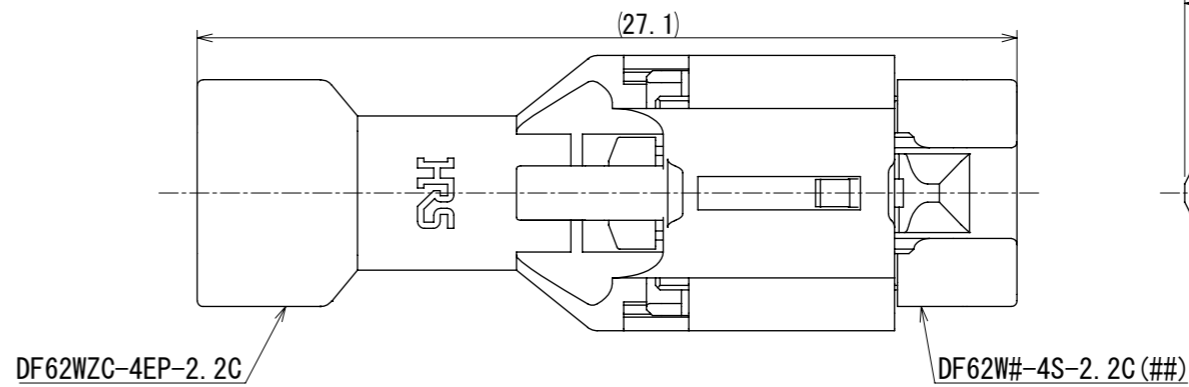
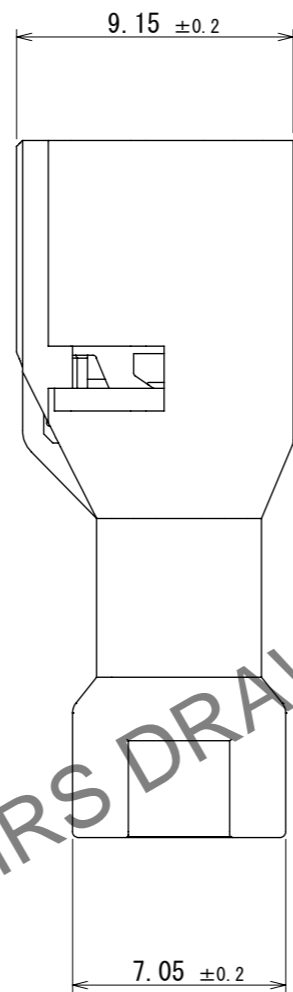
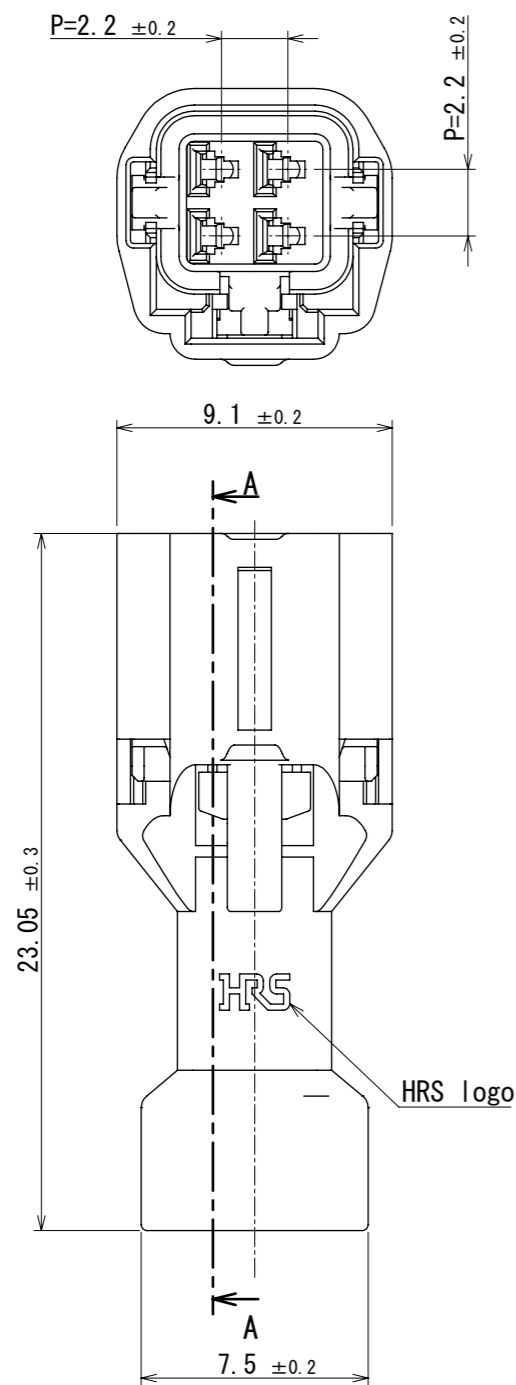
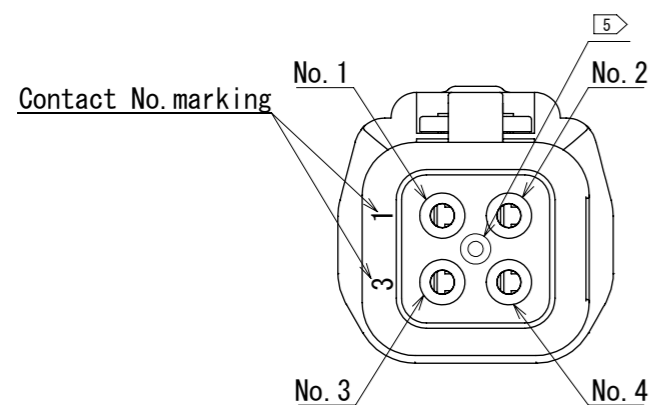


Mar.1.2026 Copyright 2026 HIROSE ELECTRIC CO., LTD. All Rights Reserved.  
In case of consideration for using Automotive equipment / device which demand high reliability, kindly contact our sales window correspondents.



HRS DRAWING FOR REFERENCE



**Notes.**

1. 100 pcs. / bag
2. The dimensions in parenthesis are reference dimensions.
3. Always refer to the manuals below for operation of this product.  
 For cable assembly / Cable assembly procedure ETAD-H0760  
 For mating/unmating / Operation manual ETAD-H0761  
 For operation / Board-to-Wire Connector Guidelines ETAD-H1023
4. Applicable insulation diameter :  $\phi 0.98$  to  $\phi 1.2$  mm.
5. Although the gate mark on the waterproof wire seal (part No. 3) may be mounted upside down, there is no difference in performance.

1	PBT	UL94V-0(Black)	3	Silicone rubber	Gray			
2			2	Silicone rubber	Bengala			
NO.	MATERIAL	FINISH	REMARKS	NO.	MATERIAL	FINISH	REMARKS	
UNITS		SCALE	COUNT	DESCRIPTION OF REVISIONS		DESIGNED	CHECKED	DATE
mm		4:1	$\triangle$					
<b>HRS</b> HIROSE ELECTRIC CO., LTD.		APPROVED : SJ. OKAMURA	2025.01.14	DRAWING NO. EDC-408084-00-00				
		CHECKED : HT. SATO	2025.01.14	PART NO. DF62WZC-4EP-2.2C				
		DESIGNED : YT. NIITSUMA	2025.01.10	CODE NO. CL0544-1127-0-00				
		DRAWN : SK. CHIBA	2025.01.10					