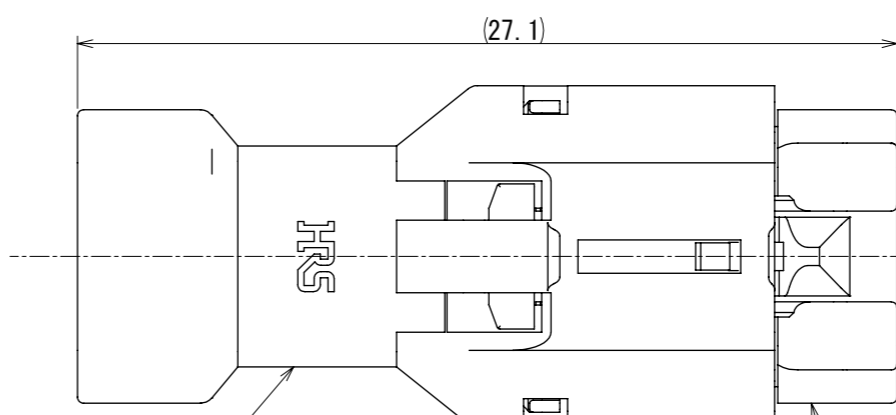
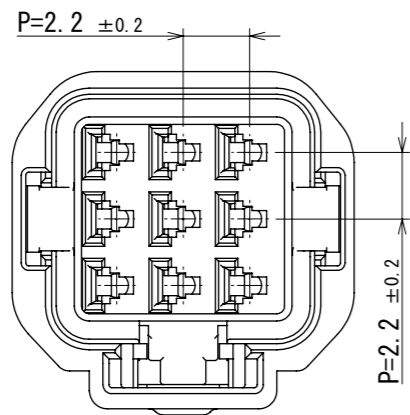
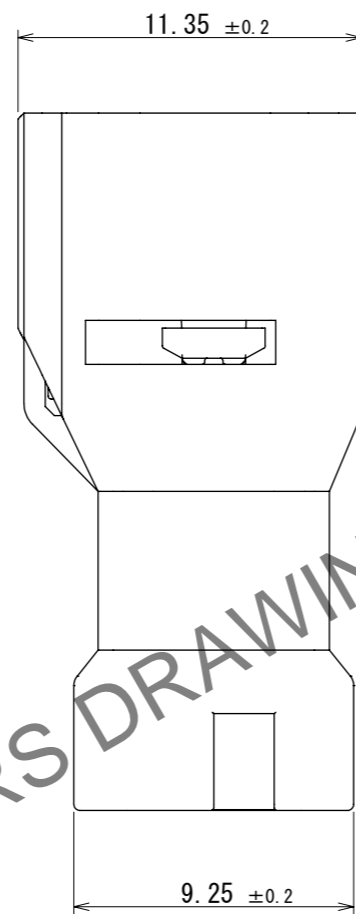
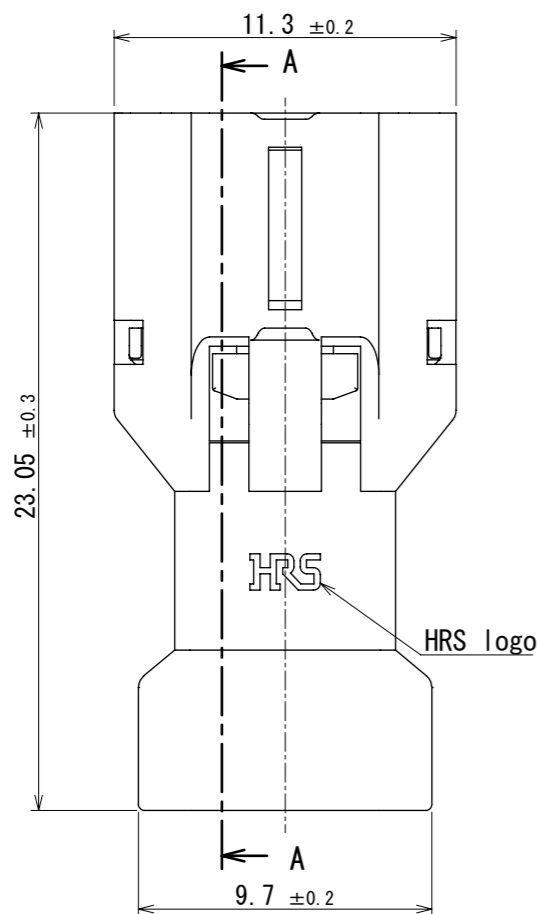
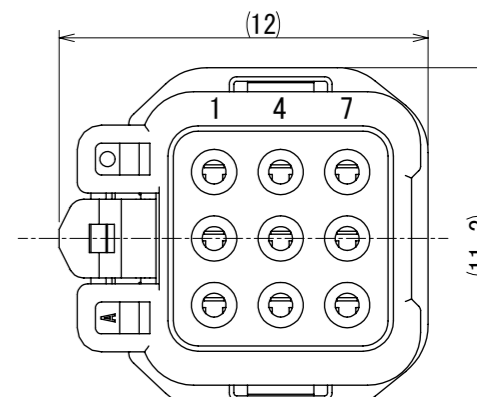


Mar.1.2026 Copyright 2026 HIROSE ELECTRIC CO., LTD. All Rights Reserved.  
 In case of consideration for using Automotive equipment / device which demand high reliability, kindly contact our sales window correspondents.



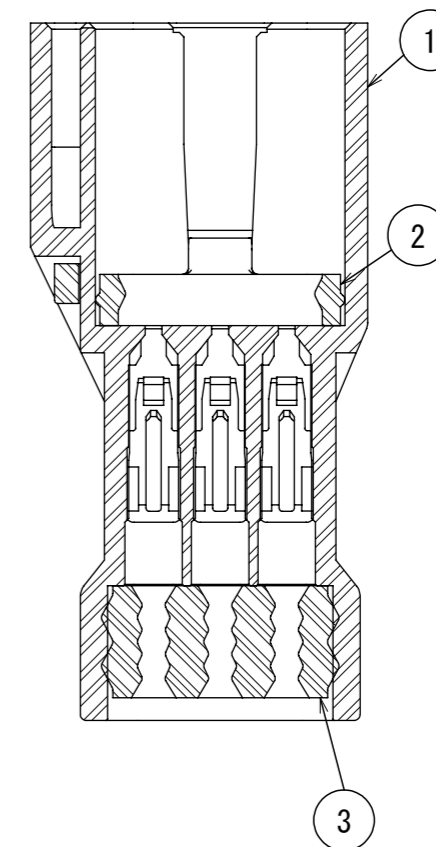
Mated Figure



DF62WZC-9EP-2.2C

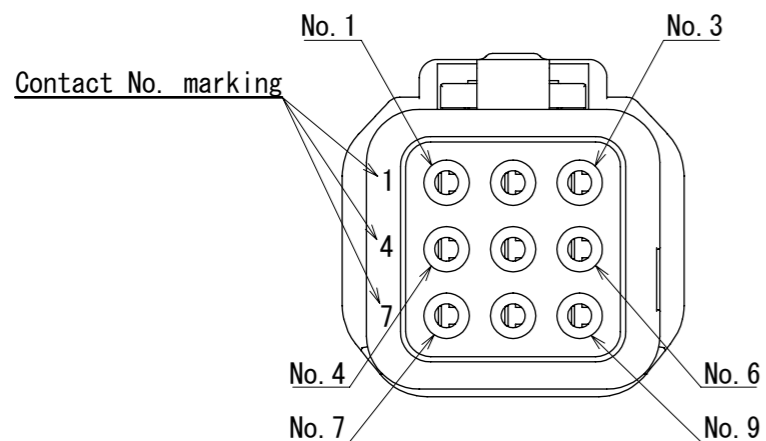
DF62W#-9S-2.2C(##)

A-A



HRS DRAWING FOR REFERENCE

Cavity No. marking



Notes.

1. 100 pcs. / bag
2. The dimensions in parenthesis are reference dimensions.
3. Always refer to the manuals below for operation of this product.  
 For cable assembly / Cable assembly procedure ETAD-H0760  
 For mating/unmating / Operation manual ETAD-H0761  
 For operation / Board-to-Wire Connector Guidelines ETAD-H1023
4. Applicable insulation diameter :  $\phi 0.98$  to  $\phi 1.2$  mm.

1	PBT	UL94V-0(Black)	3	Silicone rubber	Gray				
2			2	Silicone rubber	Bengala				
NO.	MATERIAL	FINISH	REMARKS	NO.	MATERIAL	FINISH	REMARKS		
UNITS		SCALE	COUNT	DESCRIPTION OF REVISIONS			DESIGNED	CHECKED	DATE
mm		4:1	$\Delta$						
APPROVED : SJ. OKAMURA				2025.01.14		DRAWING NO.		EDC-408086-00-00	
CHECKED : HT. SATO				2025.01.14		PART NO.		DF62WZC-9EP-2.2C	
DESIGNED : YT. NIITSUMA				2025.01.10		CODE NO.		CL0544-1129-0-00	
DRAWN : SK. CHIBA				2025.01.10				$\Delta$ 1/1	