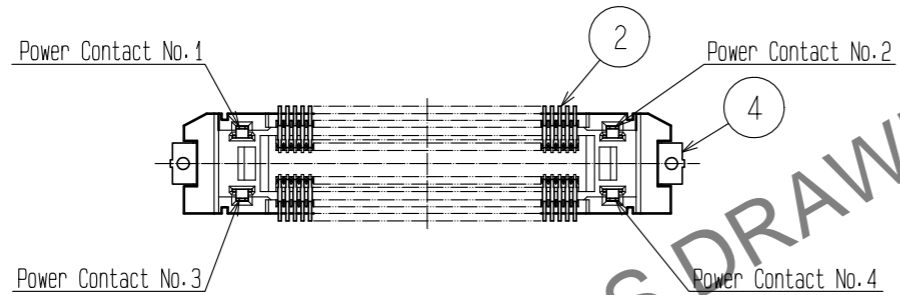
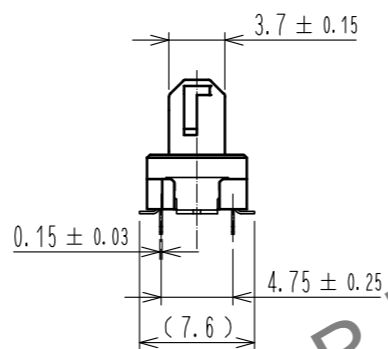
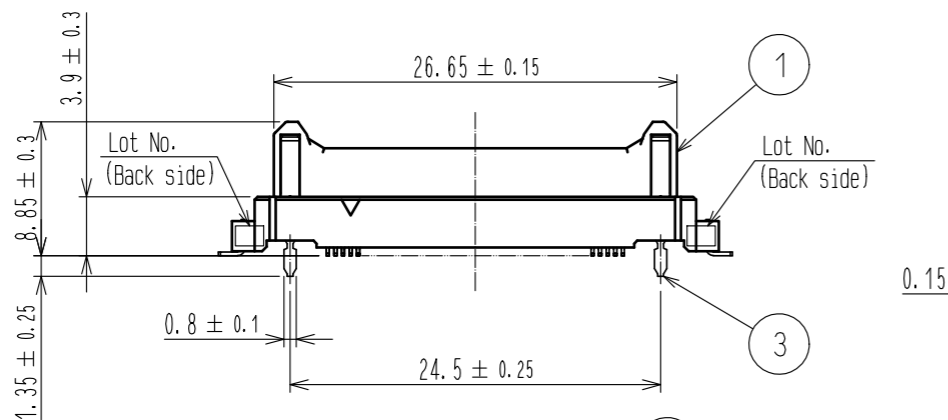
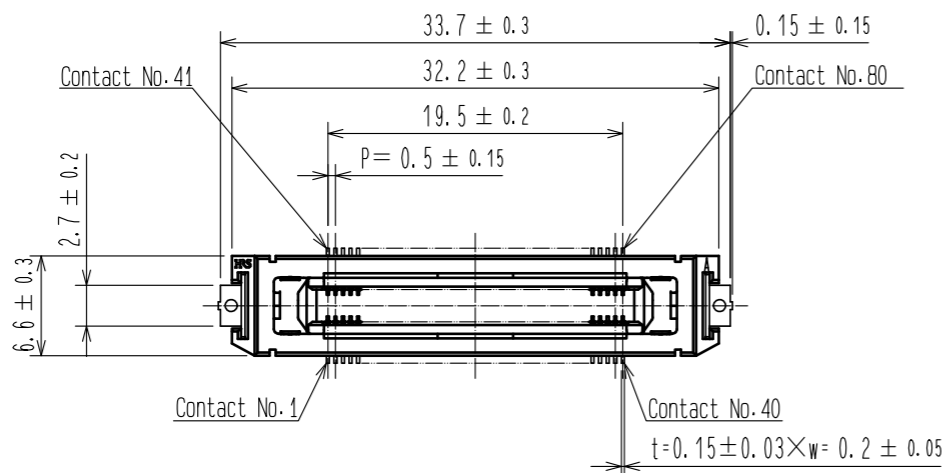
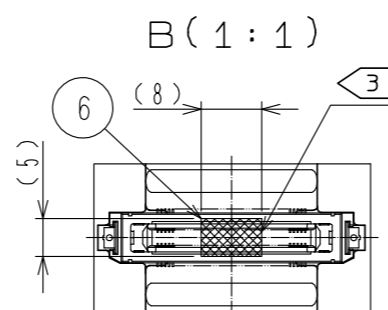
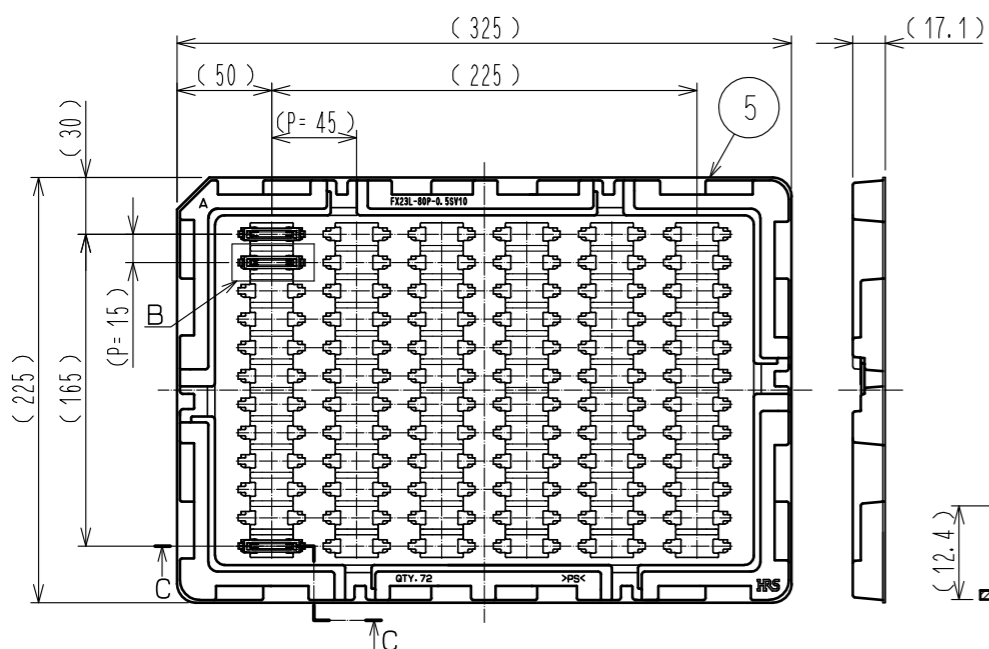


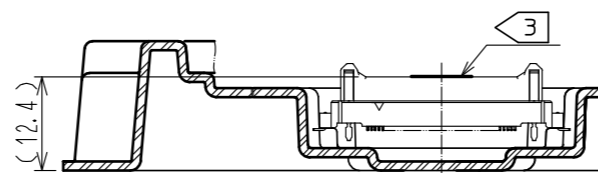
Jul.1.2024 Copyright 2024 HIROSE ELECTRIC CO., LTD. All Rights Reserved.
 In case of consideration for using Automotive equipment / device which demand high reliability, kindly contact our sales window correspondents.



2 DRAWING FOR PACKING (No scale)

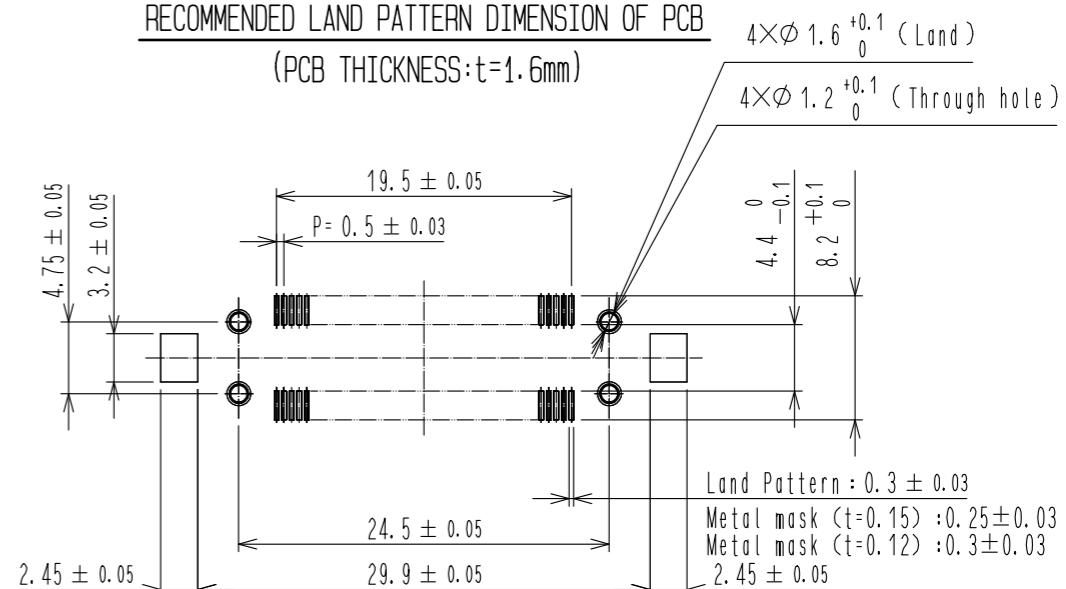


C-C (1:1)

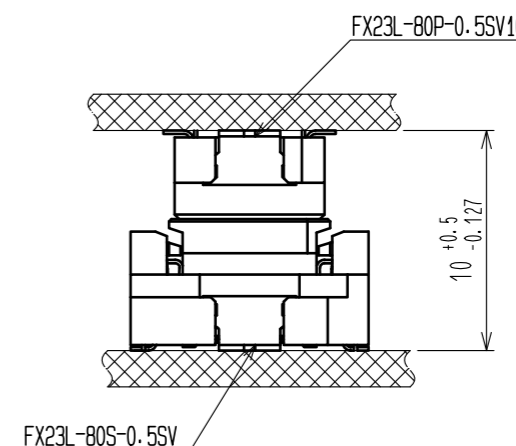


RECOMMENDED LAND PATTERN DIMENSION OF PCB

(PCB THICKNESS: t=1.6mm)



6 PCB DISTANCE (No scale)



- Note 1 Lead CO-Planarity is 0.1mm MAX.
 2 This is packaged in tray. (72pcs/tray)
 3 It shows the vacuum pickup area. Remove the mylar tape before mating connectors.
 4 Blemish and hit mark can be occurred through out the manufacturing process which doesn't affect quality level.
 5 The dimensions in parentheses are for references.
 6 Please use the connectors within the specified PCB distance.

NO.	MATERIAL	FINISH . REMARKS	NO.	MATERIAL	FINISH . REMARKS
2	COPPER ALLOY	CONTACT AREA:GOLD 0.1 μm LEAD AREA:GOLD 0.03 μm UNDER PLATING:NICKEL 1.3 μm	6	POLYIMIDE	(TAPE FOR VACUUM PICKUP)
1	POLYAMIDE	BLACK UL94V-0	5	POLYSTYRENE	(TRAY)
			4	BRASS	TIN-PLATING 1 μm
			3	COPPER ALLOY	CONTACT AREA:GOLD 0.1 μm LEAD AREA:TIN-PLATING 1 μm UNDER PLATING:NICKEL 1.3 μm

UNITS	SCALE	COUNT	DESCRIPTION OF REVISIONS	DESIGNED	CHECKED	DATE
mm	2 : 1	△				
APPROVED : HS. OKAWA			16.01.20	DRAWING NO. EDC-358053-00-00		
DESIGNED : TS. OONO			16.01.20	PART NO. FX23L-80P-0.5SV10		
DRAWN : TS. OONO			16.01.20	CODE NO. CL573-2104-8-00		