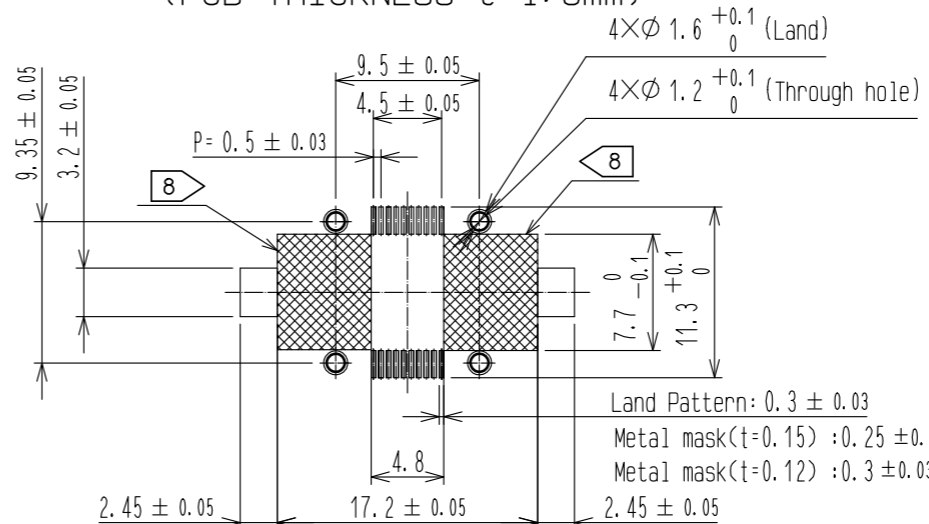


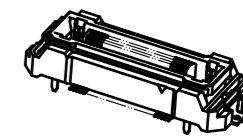
Jul.1.2024 Copyright 2024 HIROSE ELECTRIC CO., LTD. All Rights Reserved.
 In case of consideration for using Automotive equipment / device which demand high reliability, kindly contact our sales window correspondents.

RECOMMENDED LAND PATTERN DIMENSION OF PCB
 (PCB THICKNESS: $t=1.6\text{mm}$)

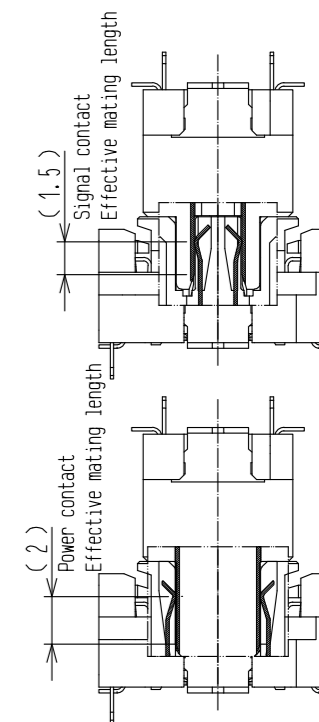


FLOATING RANGE

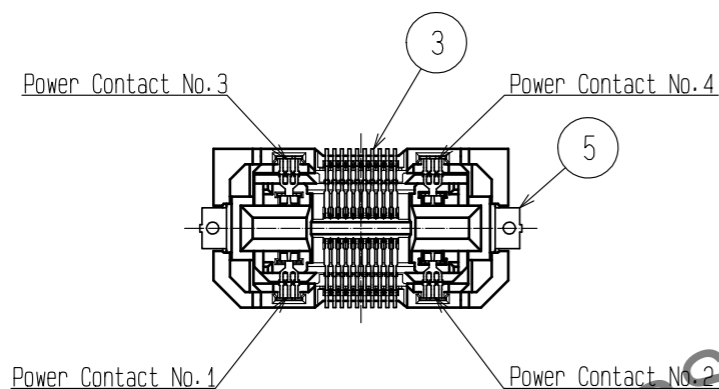
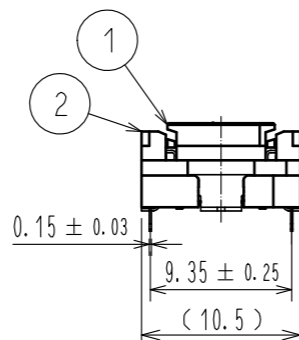
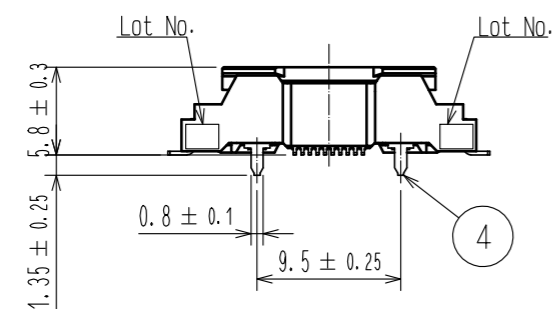
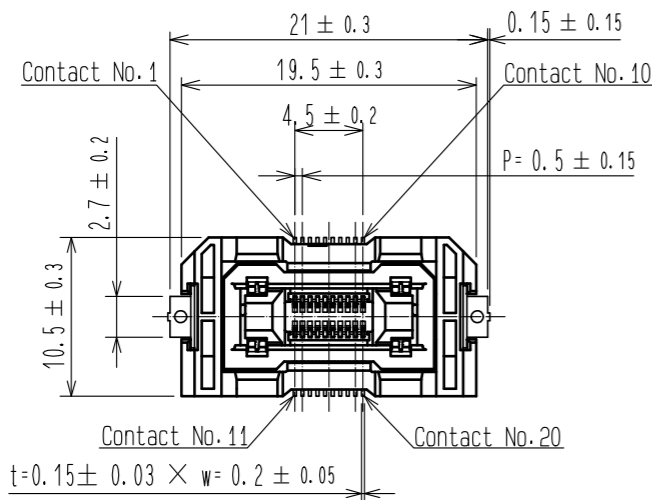
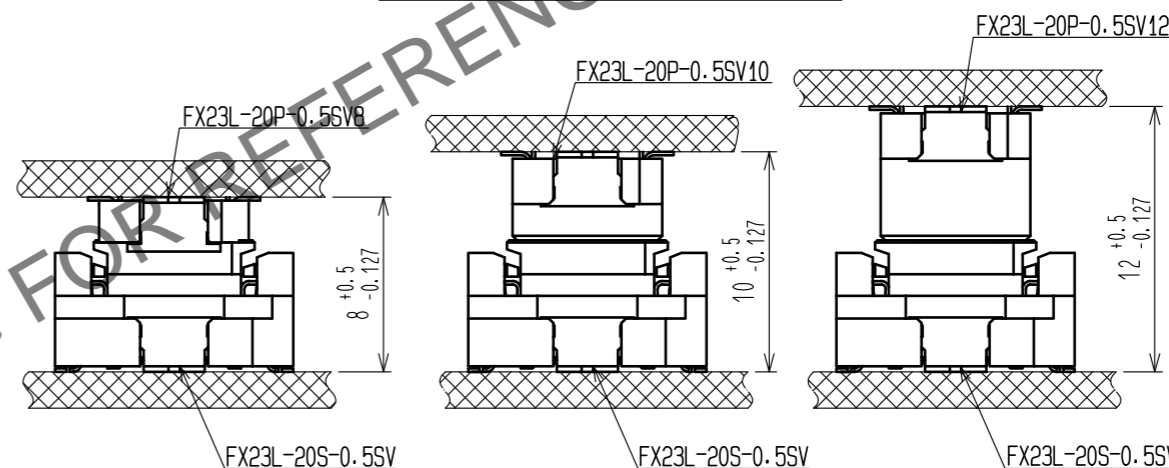
X DIRECTION: $\pm 0.6\text{mm}$
 Y DIRECTION: $\pm 0.6\text{mm}$



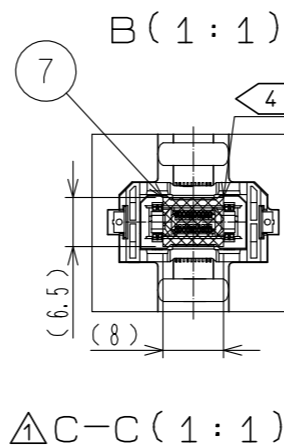
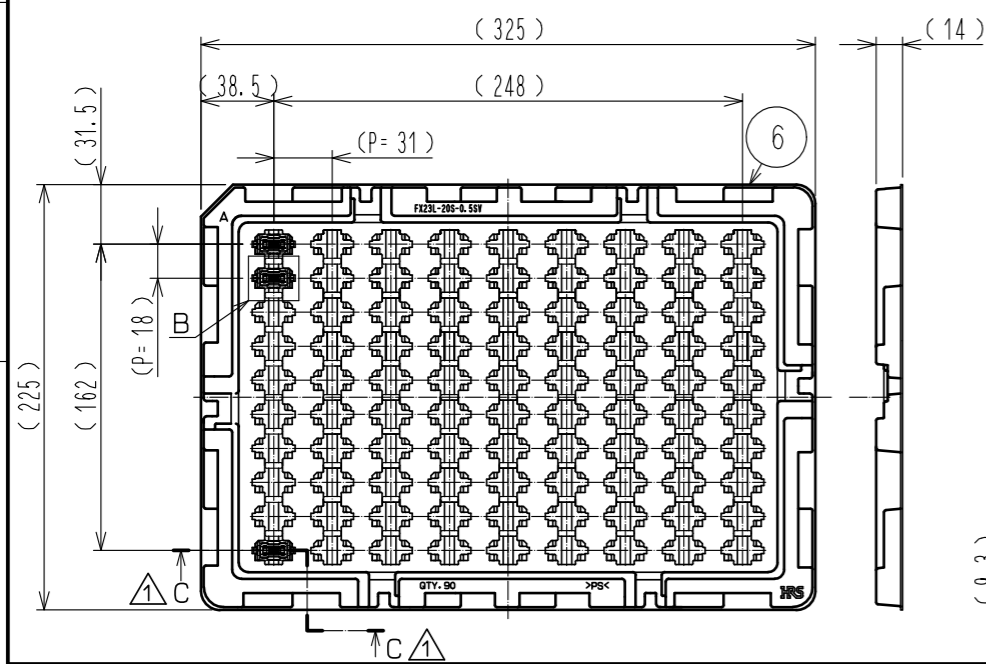
CROSS SECTION OF MATING
 (No scale)



PCB DISTANCE (No scale)



DRAWING FOR PACKING (No scale)



- Note
- Lead CO-Planarity is 0.1mm MAX.
 - This is packaged in tray. (90pcs/tray)
 - Floating range of this connector is $\pm 0.6\text{mm}$ MAX.
 - The maximum cycle time of the floating operation is in accordance with the mating cycle of the connector.
 - It shows the vacuum pickup area. Remove the mylar tape before mating connectors.
 - Blemish and hit mark can be occurred through out the manufacturing process which doesn't affect quality level.
 - The dimensions in parentheses are for references.
 - Please use the connectors within the specified PCB distance.
 - area of inner SMT land requires pattern prohibition or resist treatment to prevent the pattern.

NO.	MATERIAL	FINISH . REMARKS	NO.	MATERIAL	FINISH . REMARKS
3	COPPER ALLOY	CONTACT AREA:GOLD 0.1 μm LEAD AREA:GOLD 0.03 μm UNDER PLATING:NICKEL 1.3 μm	7	POLYIMIDE	(TAPE FOR VACUUM PICKUP)
2	POLYAMIDE	BLACK UL94V-0	6	POLYSTYRENE	(TRAY)
1	POLYAMIDE	BLACK UL94V-0	5	BRASS	TIN-PLATING 1 μm
			4	COPPER ALLOY	CONTACT AREA:GOLD 0.1 μm LEAD AREA:TIN-PLATING 1 μm UNDER PLATING:NICKEL 1.3 μm

UNITS	SCALE	COUNT	DESCRIPTION OF REVISIONS	DESIGNED	CHECKED	DATE
mm	2 : 1	1	DIS-F-00004372	TS.00NO	HT.YAMAGUCHI	20190307

APPROVED	CHECKED	DESIGNED	DRAWN	DRAWING NO.	PART NO.	CODE NO.
HS. OKAWA	KN. SHIBUYA	AH. EDASHIGE	AH. EDASHIGE	20150224	20150224	20150224

EDC-358064-00-00			
FX23L-20S-0.5SV			
CL573-2301-9-00			