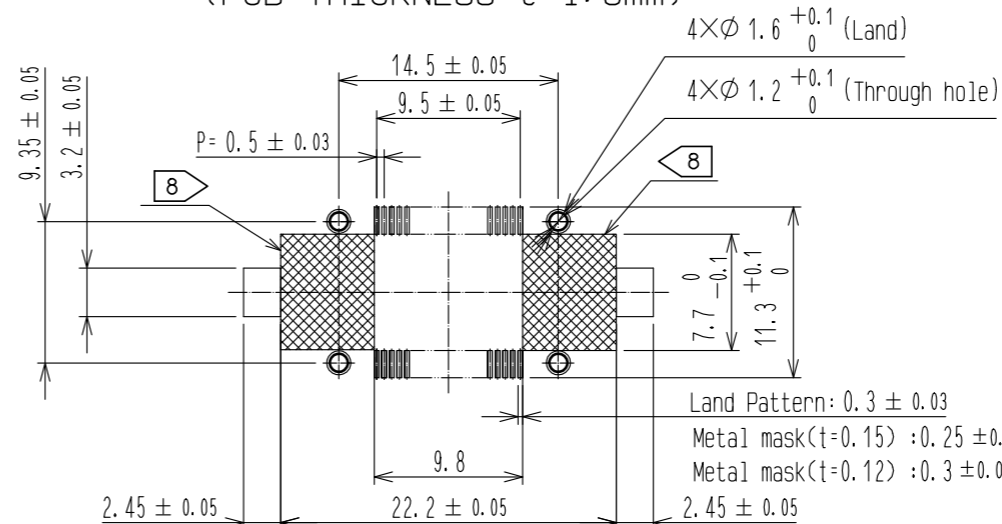


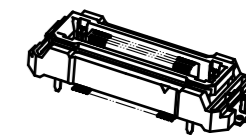
Jul.1.2024 Copyright 2024 HIROSE ELECTRIC CO., LTD. All Rights Reserved.  
 In case of consideration for using Automotive equipment / device which demand high reliability, kindly contact our sales window correspondents.

RECOMMENDED LAND PATTERN DIMENSION OF PCB  
 (PCB THICKNESS:  $t=1.6\text{mm}$ )

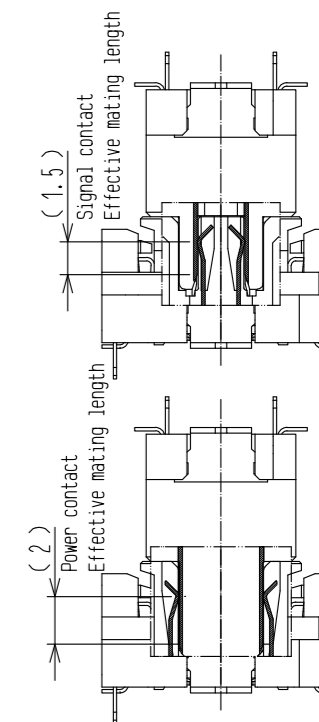


FLOATING RANGE

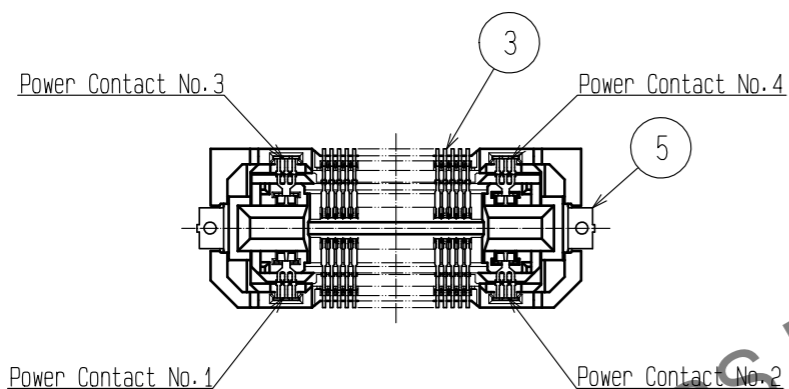
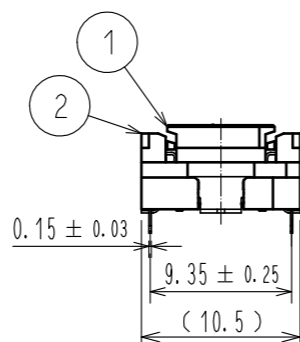
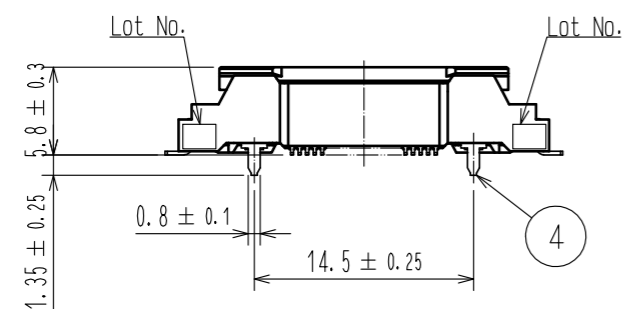
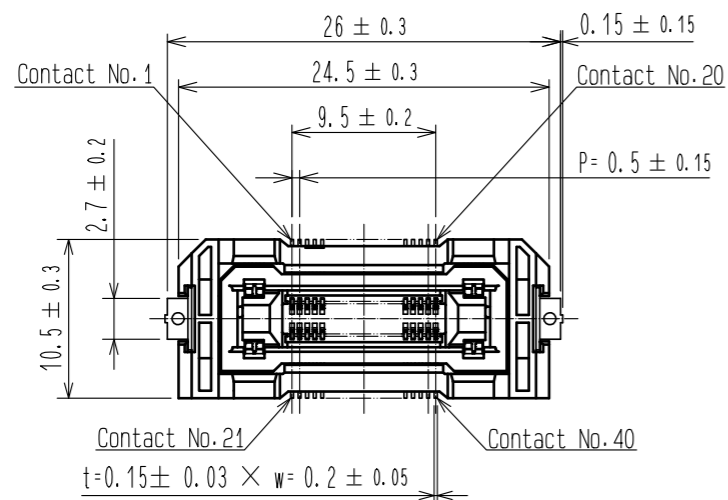
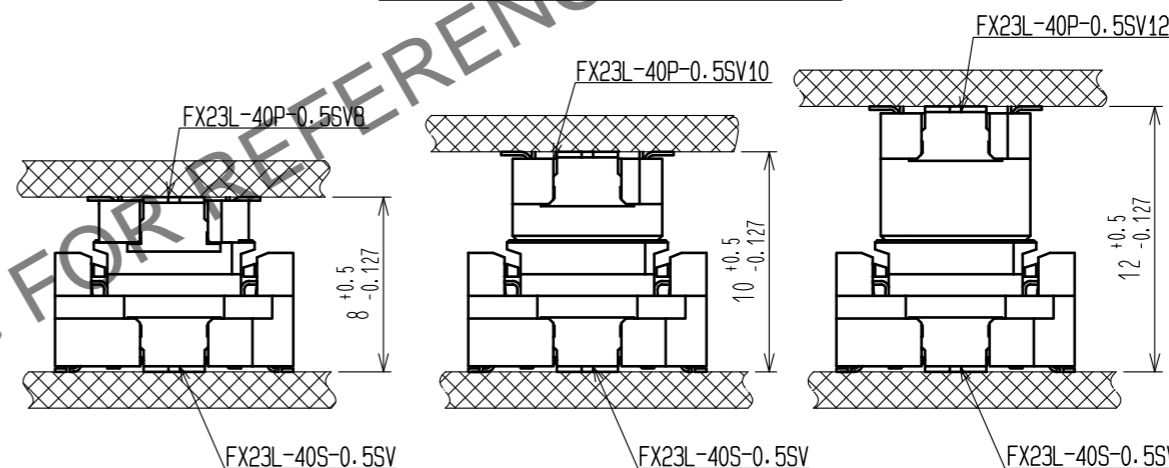
X DIRECTION:  $\pm 0.6\text{mm}$   
 Y DIRECTION:  $\pm 0.6\text{mm}$



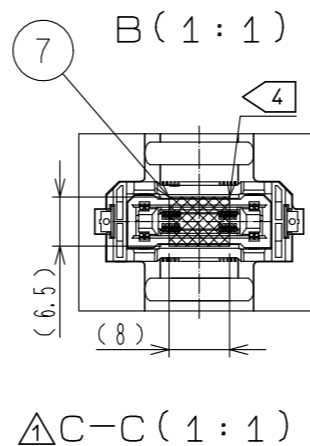
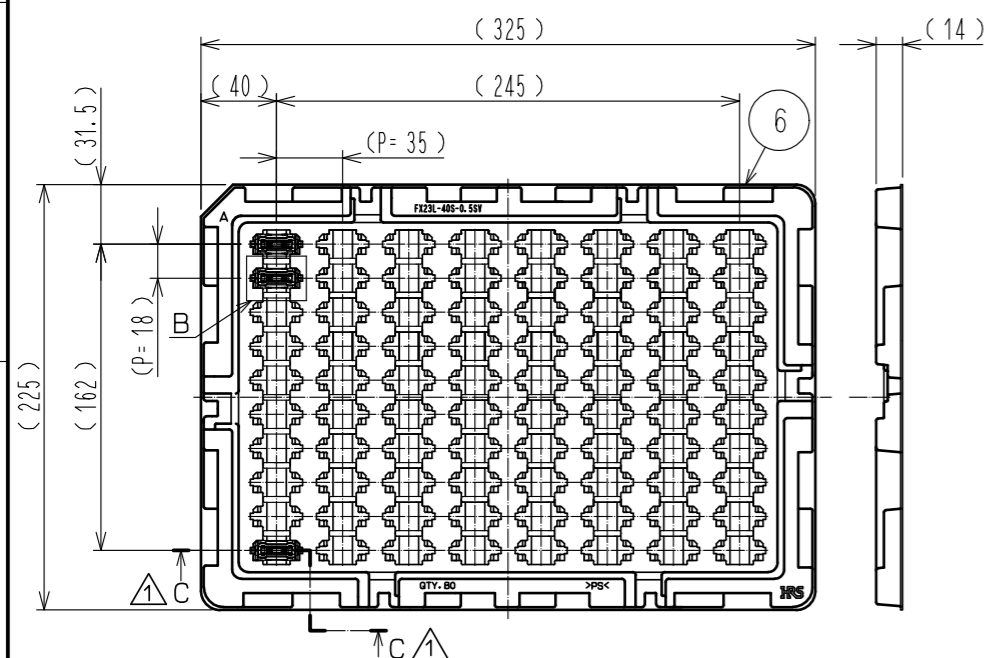
CROSS SECTION OF MATING  
 (No scale)



PCB DISTANCE (No scale)



DRAWING FOR PACKING (No scale)



- Note
- Lead CO-Planarity is 0.1mm MAX.
  - This is packaged in tray. (80pcs/tray)
  - Floating range of this connector is  $\pm 0.6\text{mm}$  MAX.
  - The maximum cycle time of the floating operation is in accordance with the mating cycle of the connector.
  - It shows the vacuum pickup area. Remove the mylar tape before mating connectors.
  - Blemish and hit mark can be occurred through out the manufacturing process which doesn't affect quality level.
  - The dimensions in parentheses are for references.
  - Please use the connectors within the specified PCB distance.
  - area of inner SMT land requires pattern prohibition or resist treatment to prevent the pattern.

3	COPPER ALLOY	CONTACT AREA:GOLD 0.1 $\mu\text{m}$ LEAD AREA:GOLD 0.03 $\mu\text{m}$ UNDER PLATING:NICKEL 1.3 $\mu\text{m}$	7	POLYIMIDE	(TAPE FOR VACUUM PICKUP)		
2	POLYAMIDE	BLACK UL94V-0	6	POLYSTYRENE	(TRAY)		
1	POLYAMIDE	BLACK UL94V-0	5	BRASS	TIN-PLATING 1 $\mu\text{m}$		
			4	COPPER ALLOY	CONTACT AREA:GOLD 0.1 $\mu\text{m}$ LEAD AREA:TIN-PLATING 1 $\mu\text{m}$ UNDER PLATING:NICKEL 1.3 $\mu\text{m}$		
NO.	MATERIAL	FINISH . REMARKS	NO.	MATERIAL	FINISH . REMARKS		
UNITS mm		SCALE 2 : 1	COUNT 1	DESCRIPTION OF REVISIONS DIS-F-00004372	DESIGNED TS.00NO	CHECKED HT. YAMAGUCHI	DATE 20190307
<b>HRS</b> HIROSE ELECTRIC CO., LTD.		APPROVED : HS. OKAWA	20150224	DRAWING NO. EDC-358065-00-00			
		CHECKED : KN. SHIBUYA	20150224	PART NO. FX23L-40S-0.5SV			
		DESIGNED : AH. EDASHIGE	20150224	CODE NO. CL573-2302-1-00			
		DRAWN : AH. EDASHIGE	20150224			1/1	