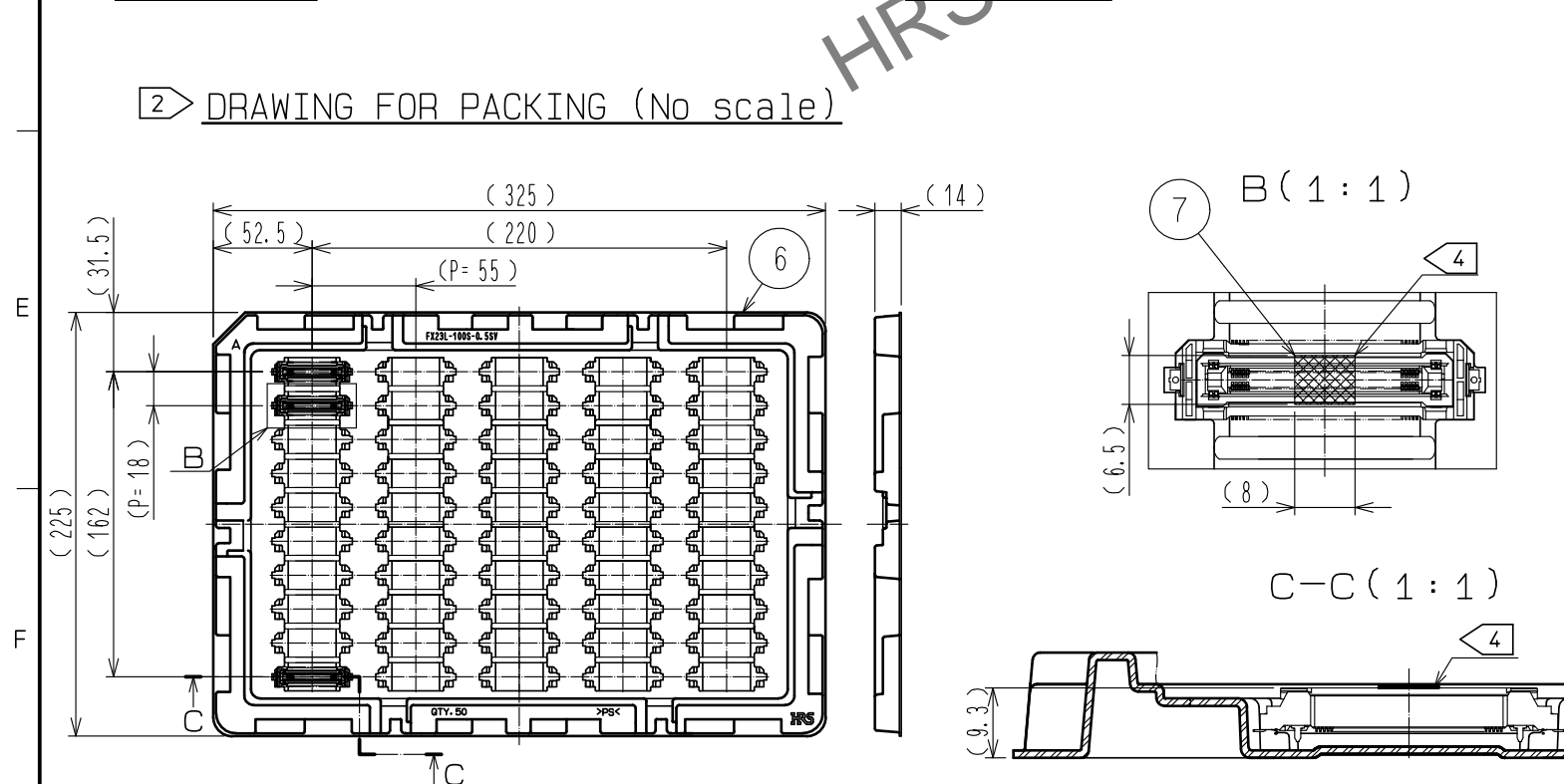
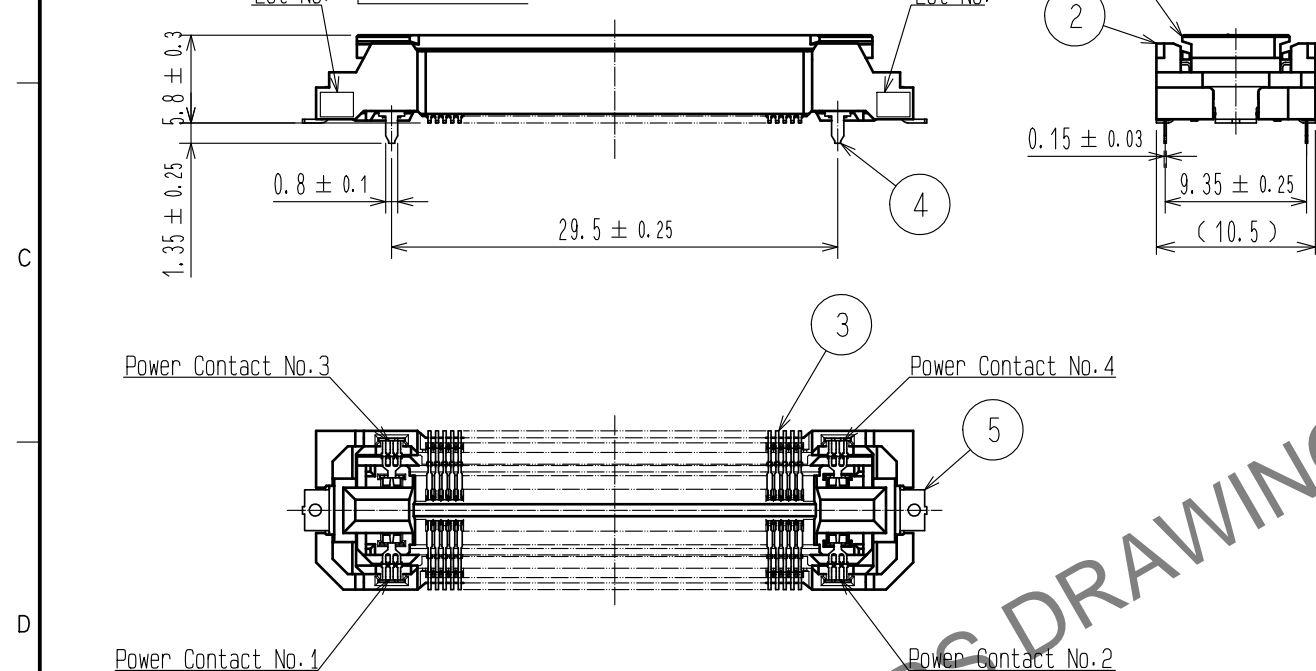
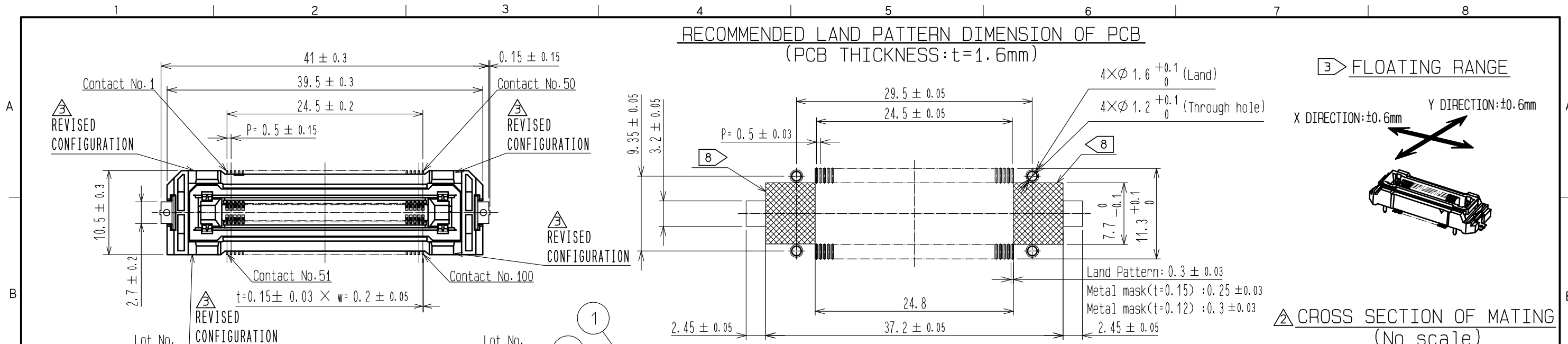
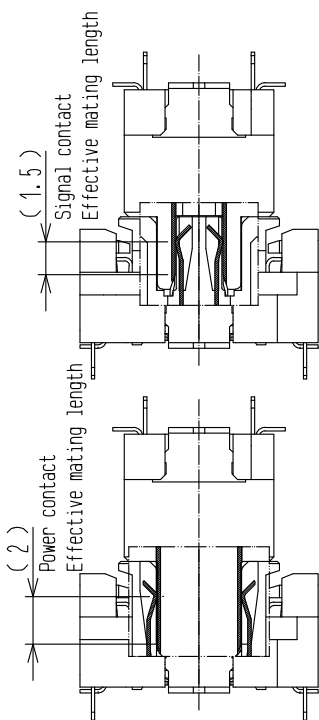
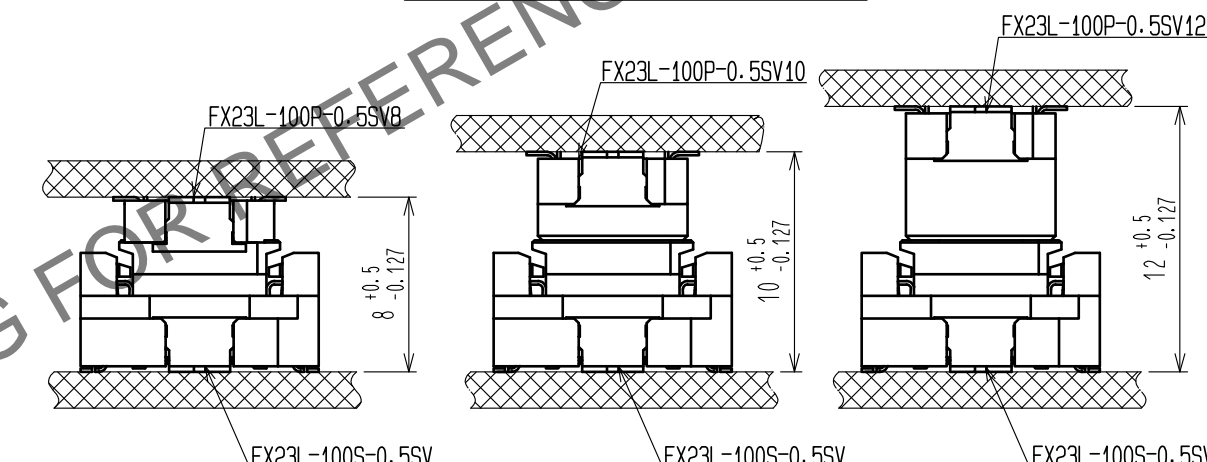


Jul.1.2024 Copyright 2024 HIROSE ELECTRIC CO., LTD. All Rights Reserved.
 In case of consideration for using Automotive equipment / device which demand high reliability, kindly contact our sales window correspondents.

RECOMMENDED LAND PATTERN DIMENSION OF PCB
 (PCB THICKNESS: $t=1.6\text{mm}$)



PCB DISTANCE (No scale)



- Note
- Lead CO-Planarity is 0.1mm MAX.
 - This is packaged in tray. (50pcs/tray)
 - Floating range of this connector is $\pm 0.6\text{mm}$.
The maximum cycle time of the floating operation is in accordance with the mating cycle of the connector.
 - It shows the vacuum pickup area. Remove the mylar tape before mating connectors.
 - Blemish and hit mark can be occurred through out the manufacturing process which doesn't affect quality level.
 - The dimensions in parentheses are for references.
 - Please use the connectors within the specified PCB distance.
 - area of inner SMT land requires pattern prohibition or resist treatment to prevent the pattern.

NO.	MATERIAL	FINISH	REMARKS	NO.	MATERIAL	FINISH	REMARKS
3	COPPER ALLOY	CONTACT AREA:GOLD 0.1 μm		7	POLYIMIDE		(TAPE FOR VACUUM PICKUP)
		LEAD AREA:GOLD 0.03 μm		6	POLYSTYRENE		(TRAY)
		UNDER PLATING:NICKEL 1.3 μm		5	BRASS		TIN-PLATING 1 μm
2	POLYAMIDE	BLACK UL94V-0		4	COPPER ALLOY		CONTACT AREA:GOLD 0.1 μm
1	POLYAMIDE	BLACK UL94V-0					LEAD AREA:TIN-PLATING 1 μm
							UNDER PLATING:NICKEL 1.3 μm

UNITS	SCALE	COUNT	DESCRIPTION OF REVISIONS	DESIGNED	CHECKED	DATE
mm	2 : 1	4	DIS-F-00007440	TY. EDAGAWA	MK. NAGATA	20201221

APPROVED	CHECKED	DESIGNED	DRAWN	DRAWING NO.	PART NO.	CODE NO.
HS. OKAWA	KN. SHIBUYA	TS. OONO	TS. OONO	EDC-358068-00-00	FX23L-100S-0.5SV	CL0573-2305-0-00