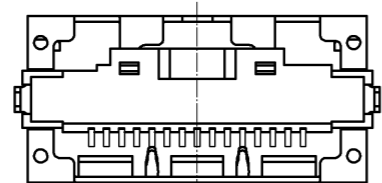
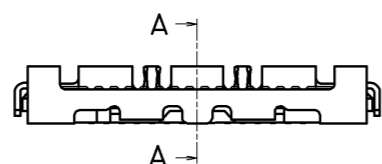
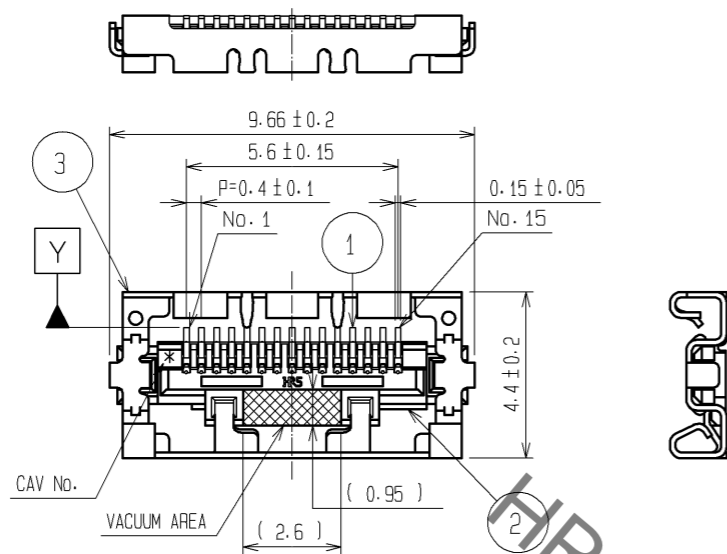
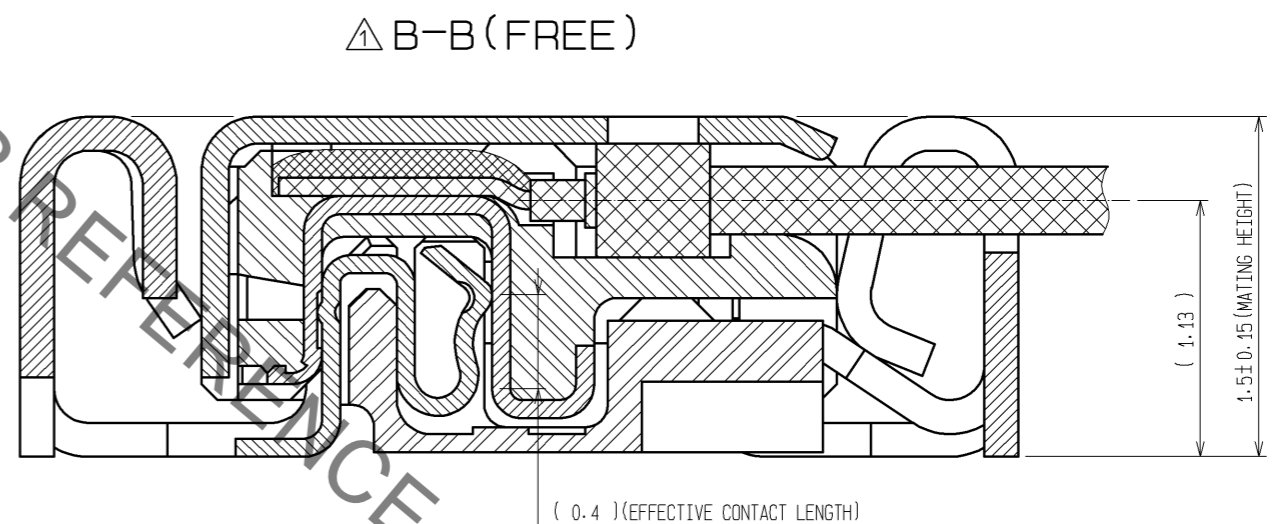
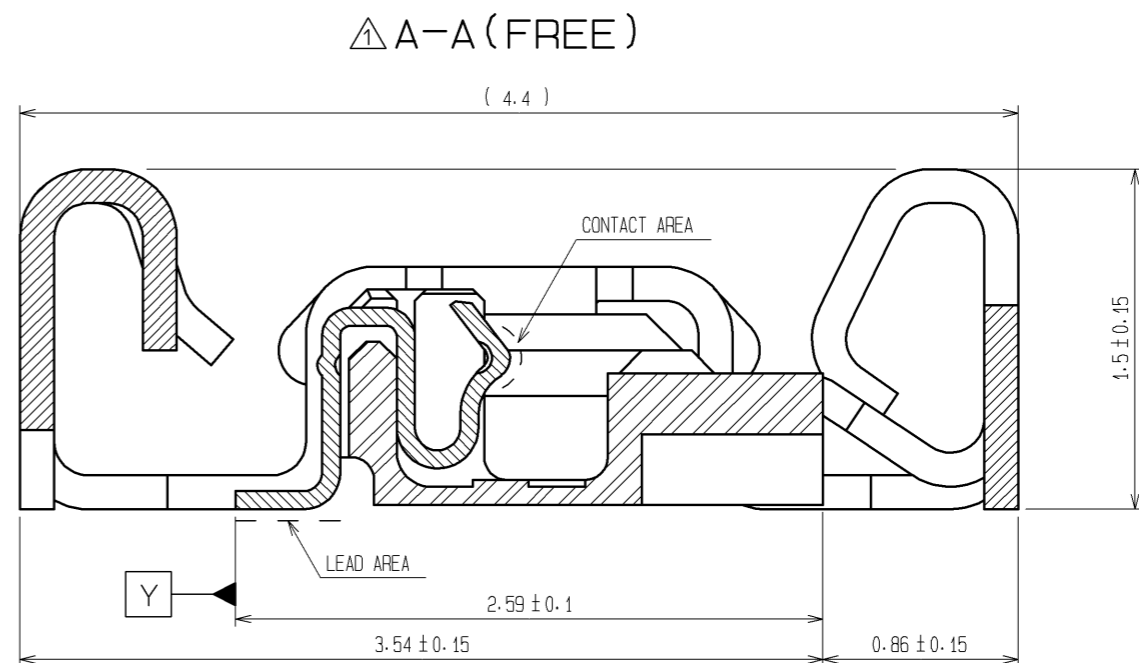
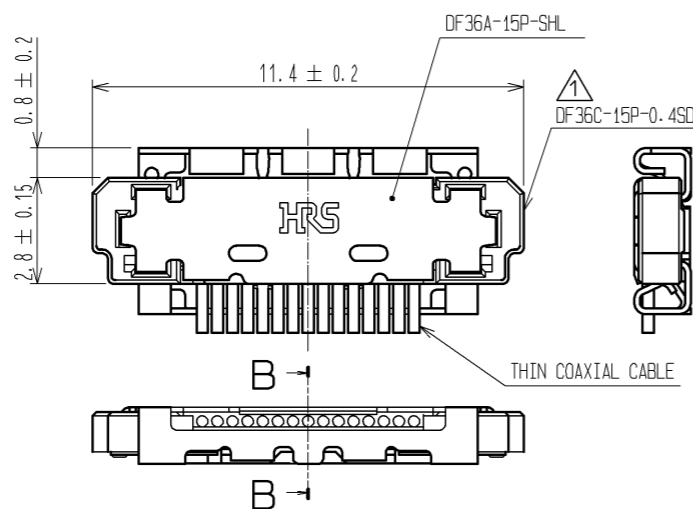


Dec.1.2022 Copyright 2022 HIROSE ELECTRIC CO., LTD. All Rights Reserved.
In case of consideration for using Automotive equipment / device which demand high reliability, kindly contact our sales window correspondents.



MATING FIGURE



NOTES

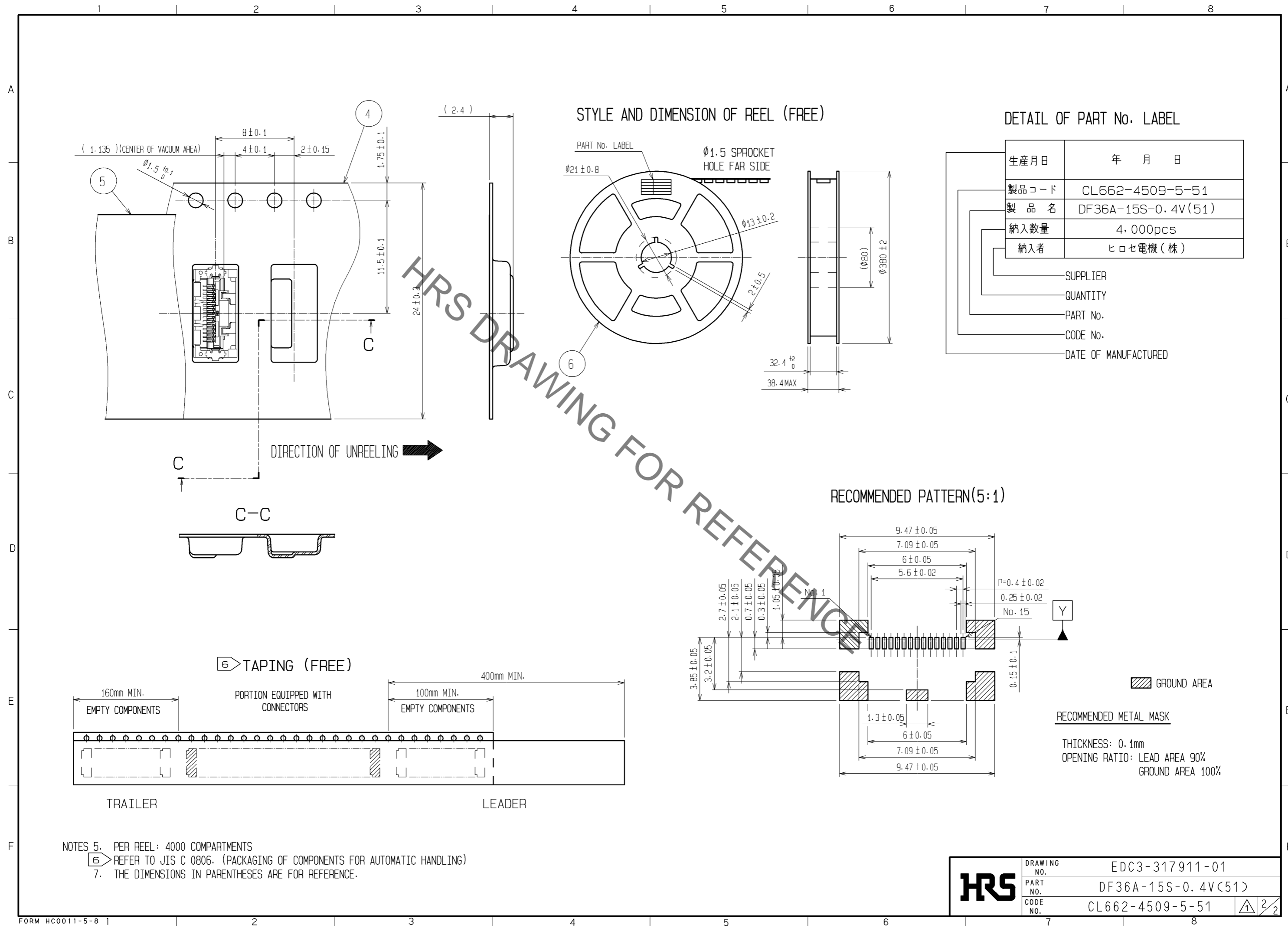
1. LEAD CO-PLANARITY SHALL BE 0.1mm MAX.
2. STIFFENER IS REQUIRED FOR MOUNTING ONTO FPC IN ORDER TO AVOID STRESS BY FPC SLACKING TO MOUNTED CONNECTOR.
3. UNMATING SHALL BE DONE WITH THE SPECIFIC EXTRACTION TOOL.
4. SOLDERING REWORK IS NOT POSSIBLE SINCE SOLDERING LEADS ARE COVERED BY METAL SHIELDING.

NO.	MATERIAL	FINISH . REMARKS	NO.	MATERIAL	FINISH . REMARKS
2	LCP	UL94V-0	6	PS	BLACK
1	PHOSPHOR BRONZE	CONTACT AREA : Au PLATING 0.3µm min LEAD AREA : Au PLATING 0.1µm min UNDER PLATING : Ni PLATING 2µm min	5	POLYESTER	CLEAR
			4	PS	CLEAR
			3	PHOSPHOR BRONZE	WHOLE AREA : Sn PLATING 1µm min UNDER PLATING : Cu PLATING 0.2µm min

UNITS	SCALE	COUNT	DESCRIPTION OF REVISIONS	DESIGNED	CHECKED	DATE
mm	5 : 1	3	DIS-H-003523	SI. ISHII	HK. UMEHARA	08.11.29

APPROVED	DATE	DRAWING NO.
TS. SAKATA	08.05.12	EDC3-317911-01
CHECED	DATE	PART NO.
HK. UMEHARA	08.05.10	DF36A-15S-0.4V(51)
DESIGNED	DATE	CODE NO.
HY. SHIOZAWA	08.05.09	CL662-4509-5-51
DRAWN	DATE	
SI. ISHII	08.05.09	

Dec.1.2022 Copyright 2022 HIROSE ELECTRIC CO., LTD. All Rights Reserved.
 In case of consideration for using Automotive equipment / device which demand high reliability, kindly contact our sales window correspondents.



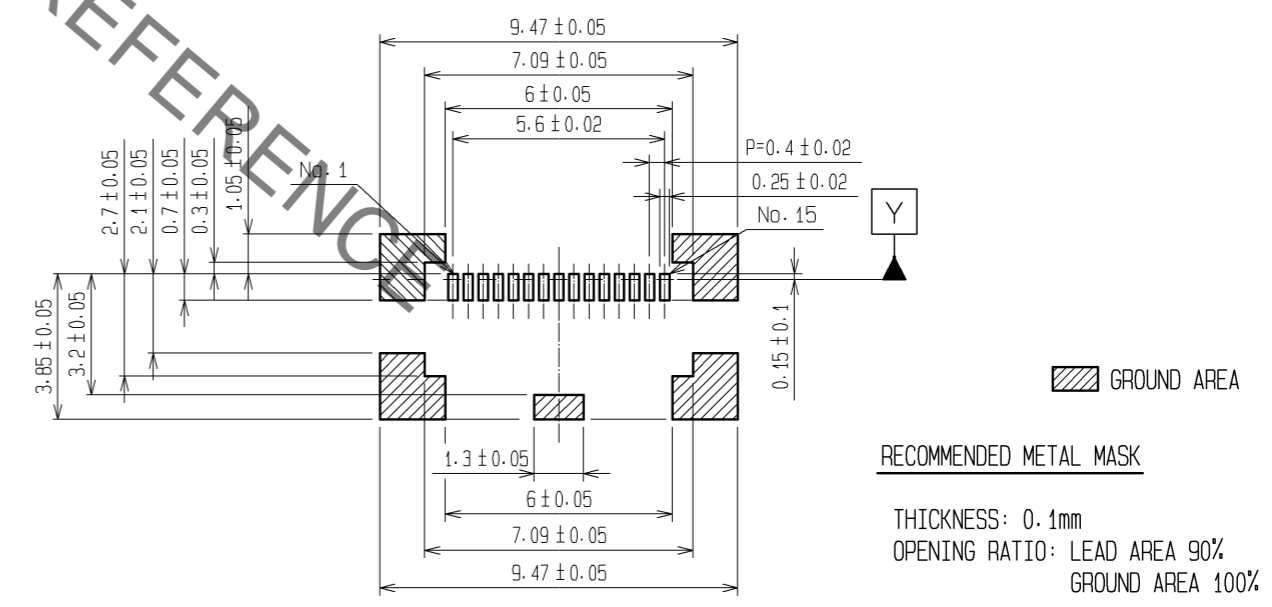
STYLE AND DIMENSION OF REEL (FREE)

DETAIL OF PART No. LABEL

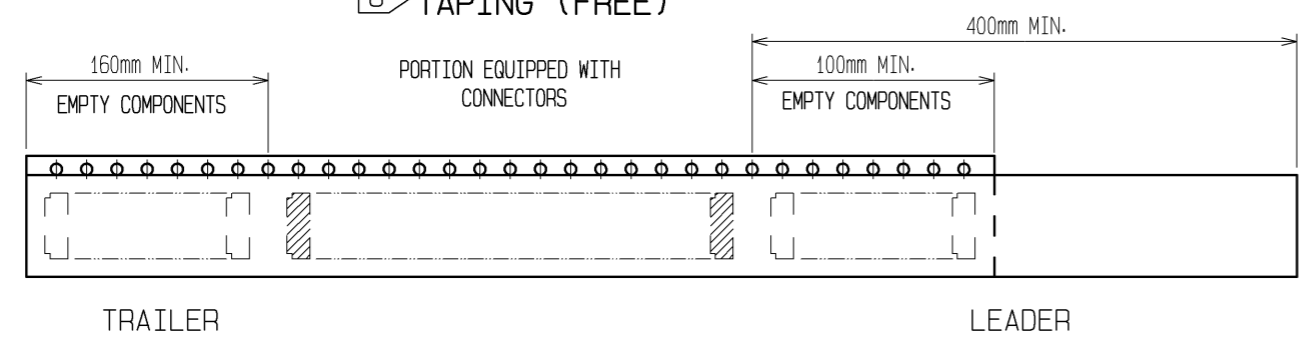
生産月日	年 月 日
製品コード	CL662-4509-5-51
製品名	DF36A-15S-0.4V(51)
納入数量	4,000pcs
納入者	ヒロセ電機(株)

_____ SUPPLIER
 _____ QUANTITY
 _____ PART No.
 _____ CODE No.
 _____ DATE OF MANUFACTURED

RECOMMENDED PATTERN(5:1)



TAPING (FREE)



- NOTES
- PER REEL: 4000 COMPARTMENTS
 - REFER TO JIS C 0806. (PACKAGING OF COMPONENTS FOR AUTOMATIC HANDLING)
 - THE DIMENSIONS IN PARENTHESES ARE FOR REFERENCE.

HRS	DRAWING NO.	EDC3-317911-01
	PART NO.	DF36A-15S-0.4V(51)
	CODE NO.	CL662-4509-5-51
		2/2