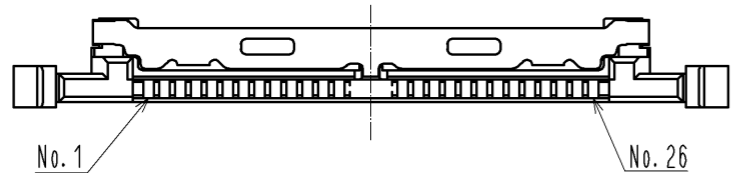
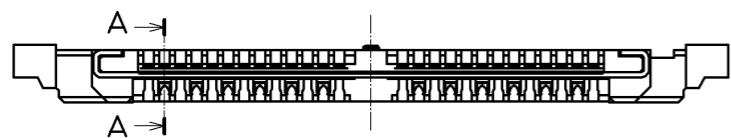
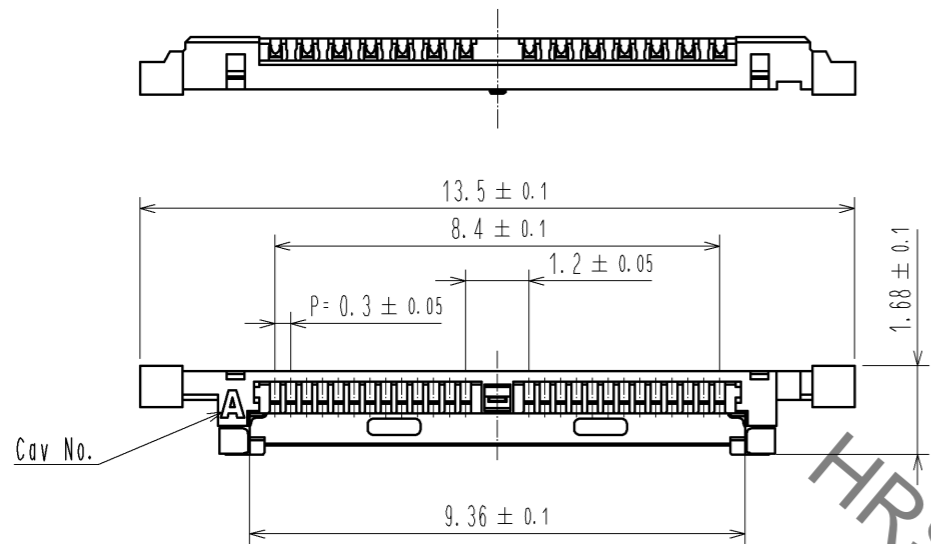
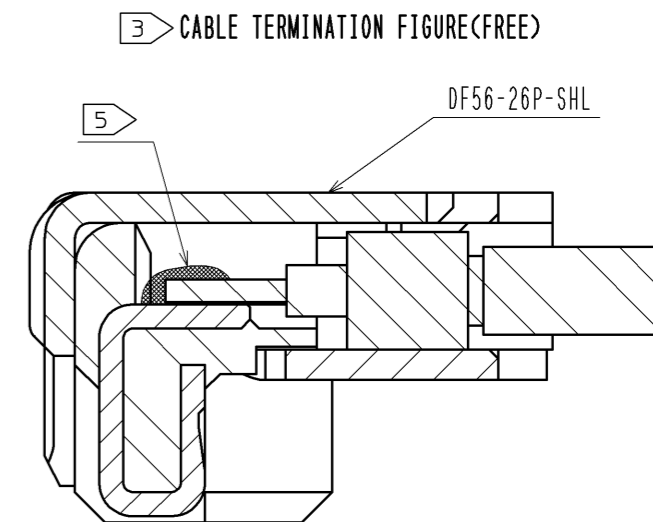
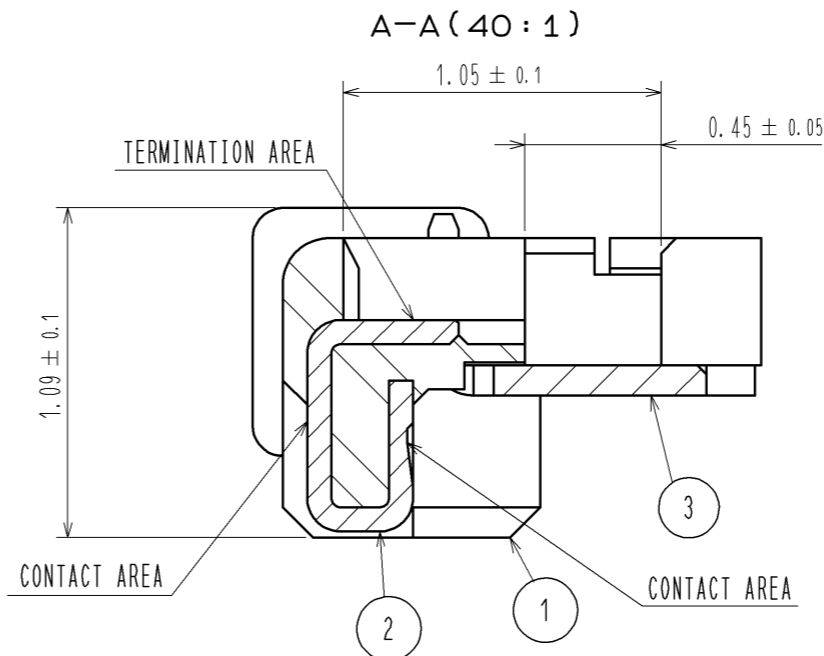
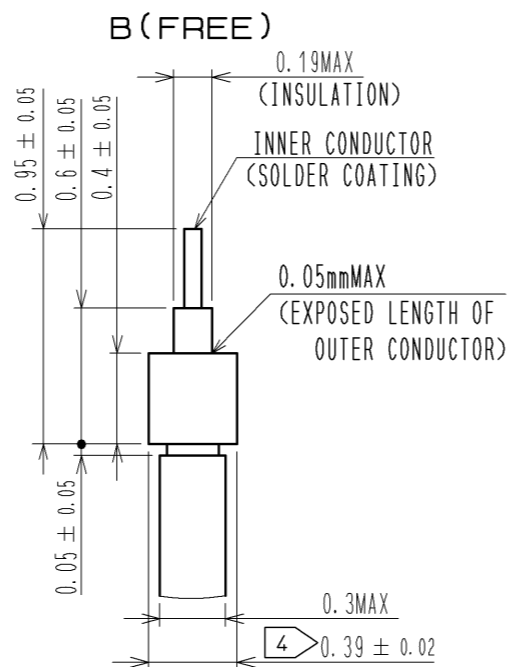
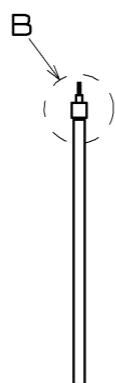
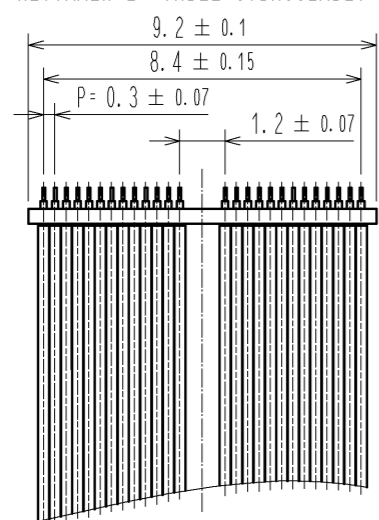


Dec.1.2022 Copyright 2022 HIROSE ELECTRIC CO., LTD. All Rights Reserved.
 In case of consideration for using Automotive equipment / device which demand high reliability, kindly contact our sales window correspondents.



RECOMMENDED CABLE SUBASSEMBLY



HRS DRAWING FOR PREFERRED

ITEM No.	PART NAME	PART No.	CODE No.
1, 2, 3	CONNECTOR UNIT	DF56L-26P-0.3SD(51)	CL662-5623-6-51
	METAL SHIELDING	DF56-26P-SHL	CL662-5605-4-00

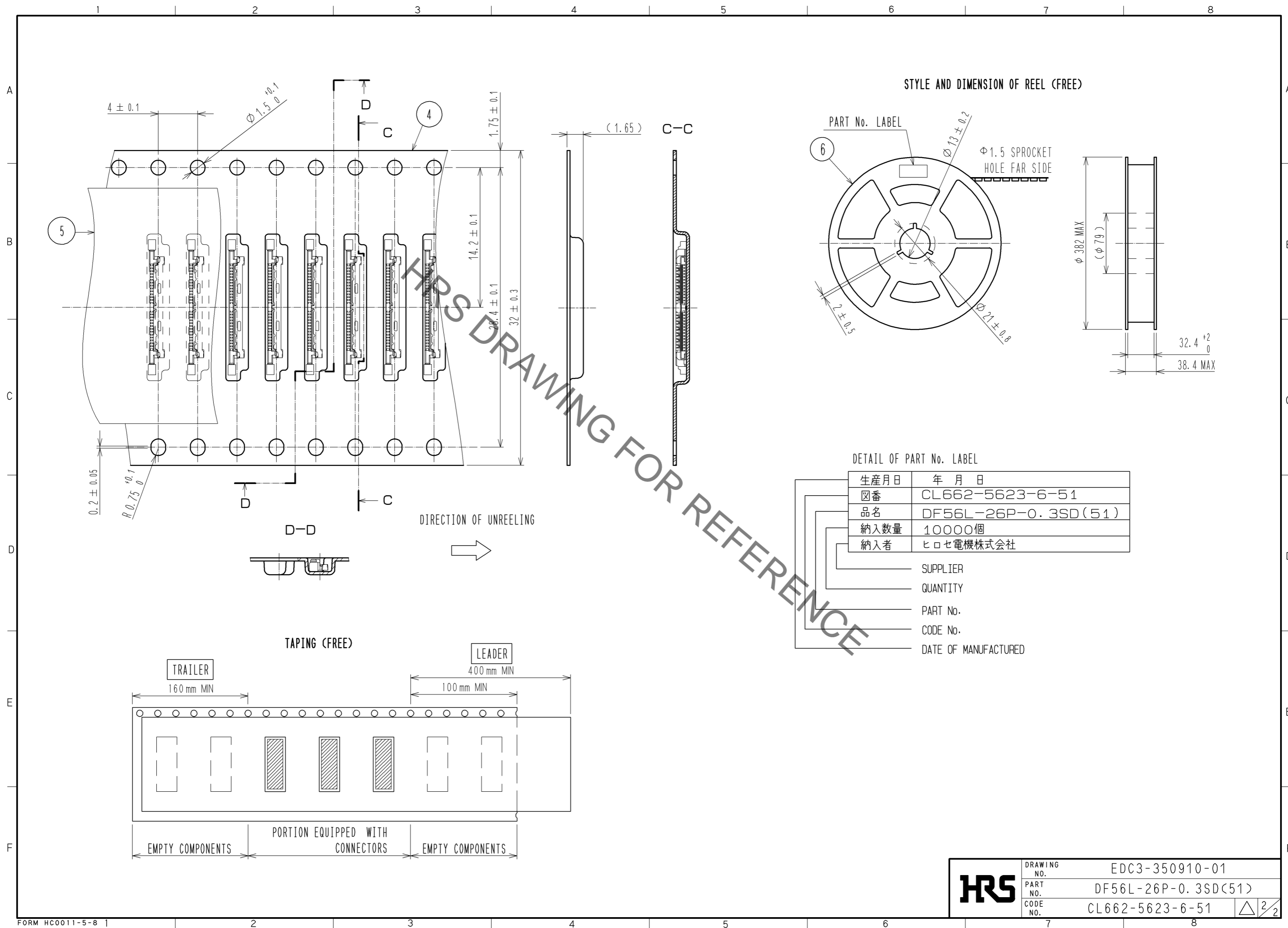
NOTES

1. APPLICABLE CABLE: MICRO COAXIAL CABLE(AWG#42~AWG#46)
2. THIS CONNECTOR IS NOT HOT PLUGGABLE. MATE AND UNMATE WHILE THE POWER IS OFF.
3. THE ASSEMBLY IS COMPLETED BY COMBINING TWO PARTS 'CONNECTOR UNIT, AND METAL SHIELDING'. REFER TO THE TABLE FOR EACH ITEM No., PART NAME, PART No. AND CODE No.
4. SOLDER A GRAND BAR WITH AN EXTERNAL CONDUCTOR OF THE CABLE ABOUT STICKING A GRAND BAR TOGETHER.
5. PLEASE CONSULT ABOUT THE USE OF THE POTTING AND KAPTON TAPE SEPARATELY.

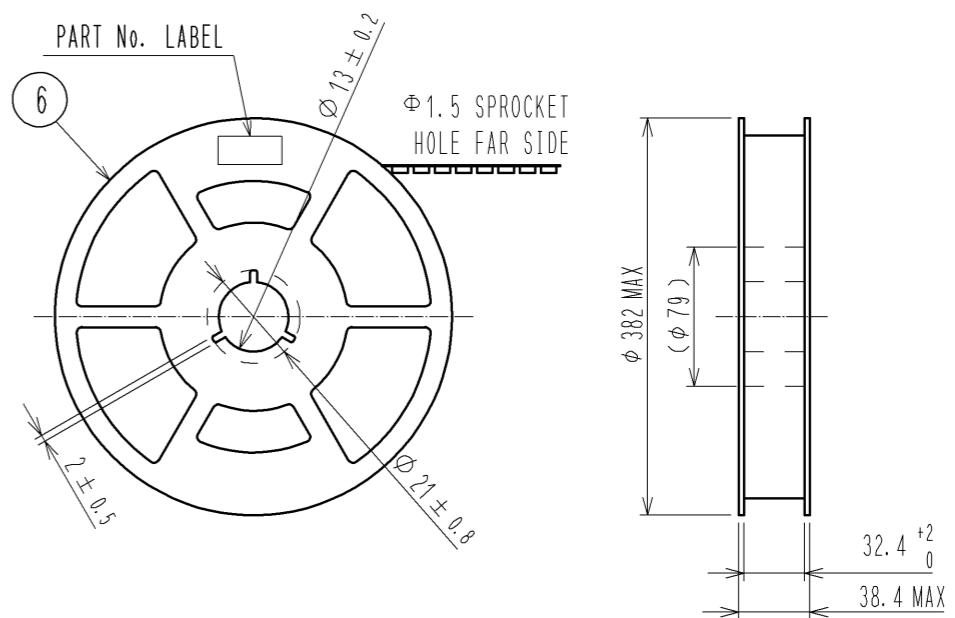
NO.	MATERIAL	FINISH . REMARKS	NO.	MATERIAL	FINISH . REMARKS
2	PHOSPHOR BRONZE	CONTACT AREA : Au PLATING 0.1μm min TERMINATION AREA : Au PLATING 0.1μm min UNDER PLATING : Ni PLATING 1μm min	6	PS	BLACK
1	LCP	UL94V-0 . BLACK	5	POLYESTER	CLEAR
			4	PS	CLEAR
			3	STAINLESS	WHOLE AREA : Sn PLATING 1μm min UNDER PLATING : Ni PLATING 0.2μm min

UNITS	SCALE	COUNT	DESCRIPTION OF REVISIONS	DESIGNED	CHECKED	DATE
mm	FREE	△				
APPROVED : MH. YAMANE			13.12.17	DRAWING NO. EDC3-350910-01		
CHECKED : MH. TSUCHIDA			13.12.17	PART NO. DF56L-26P-0.3SD(51)		
DESIGNED : AH. MIYAZAKI			13.12.16	CODE NO. CL662-5623-6-51		
DRAWN : AH. MIYAZAKI			13.12.16	△ 1/2		

Dec.1.2022 Copyright 2022 HIROSE ELECTRIC CO., LTD. All Rights Reserved.
 In case of consideration for using Automotive equipment / device which demand high reliability, kindly contact our sales window correspondents.



STYLE AND DIMENSION OF REEL (FREE)



DETAIL OF PART No. LABEL

生産月日	年月日
図番	CL662-5623-6-51
品名	DF56L-26P-0.3SD(51)
納入数量	10000個
納入者	ヒロセ電機株式会社

- SUPPLIER
- QUANTITY
- PART No.
- CODE No.
- DATE OF MANUFACTURED

HRS	DRAWING NO.	EDC3-350910-01
	PART NO.	DF56L-26P-0.3SD(51)
	CODE NO.	CL662-5623-6-51
		△ 2/2