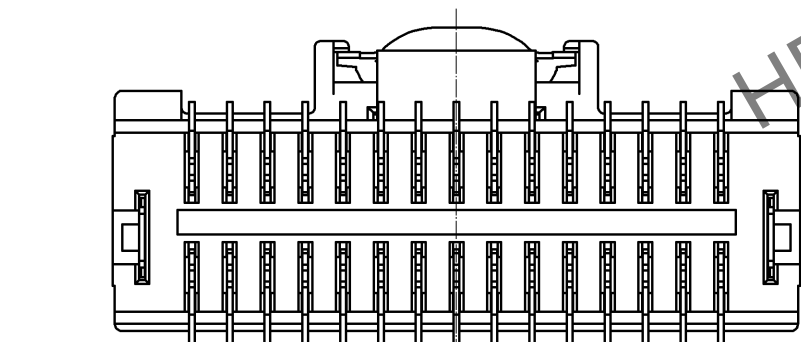
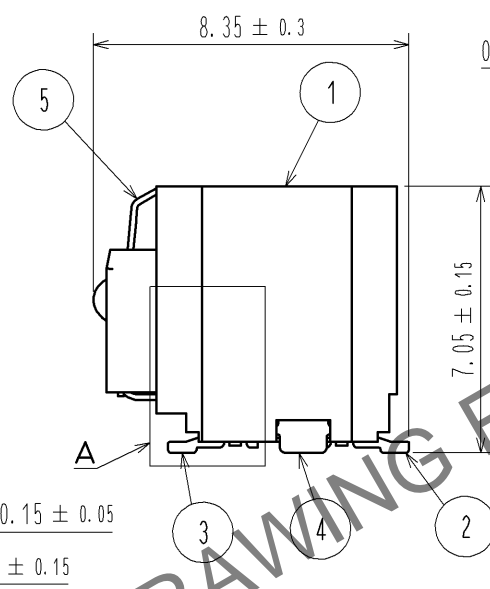
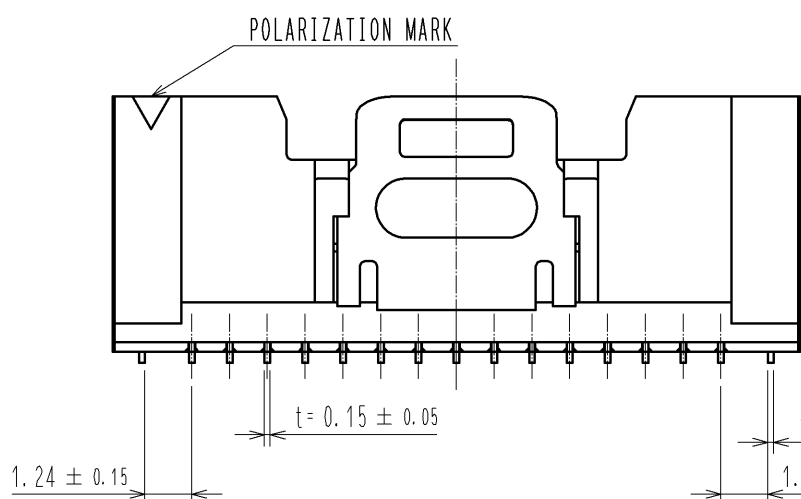
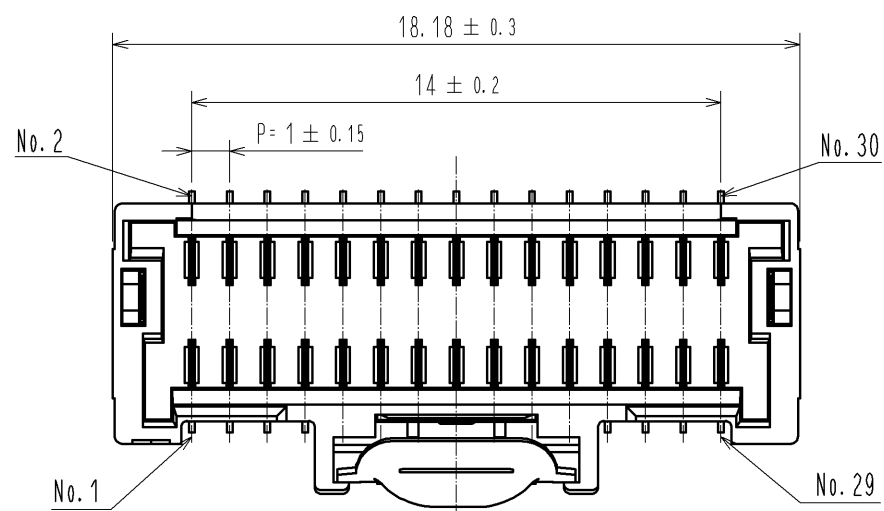
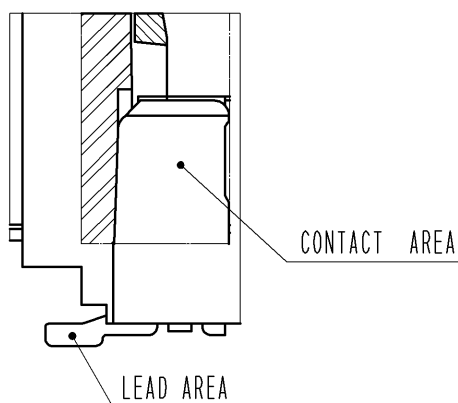


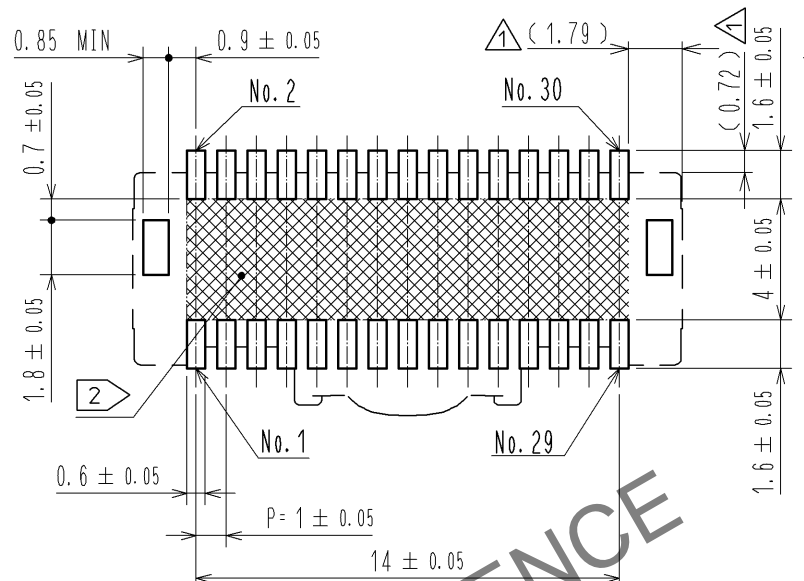
May.1.2024 Copyright 2024 HIROSE ELECTRIC CO., LTD. All Rights Reserved.  
In case of consideration for using Automotive equipment / device which demand high reliability, kindly contact our sales window correspondents.



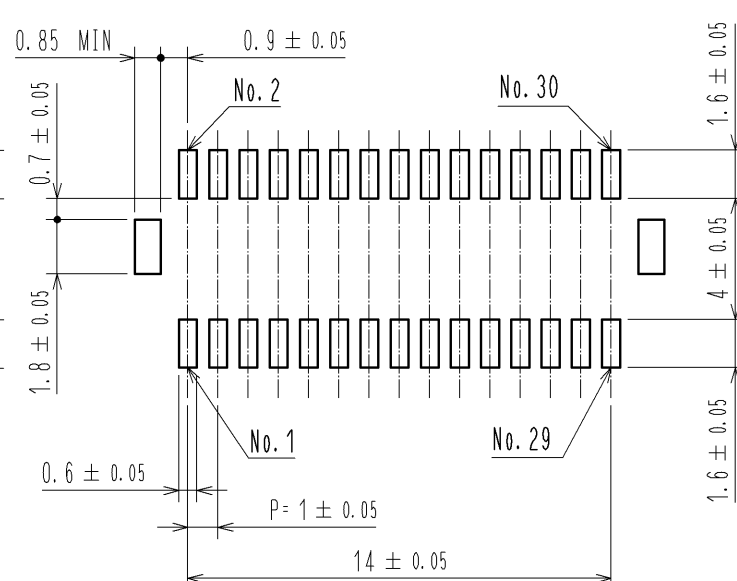
A (10:1)



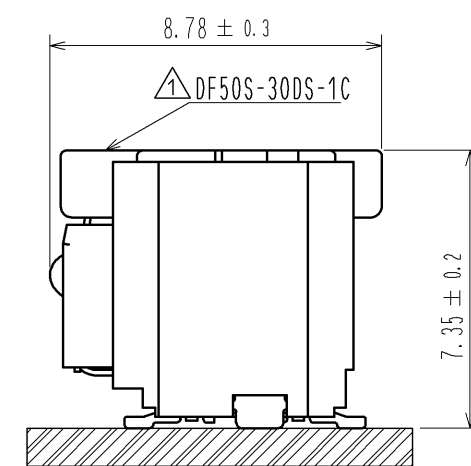
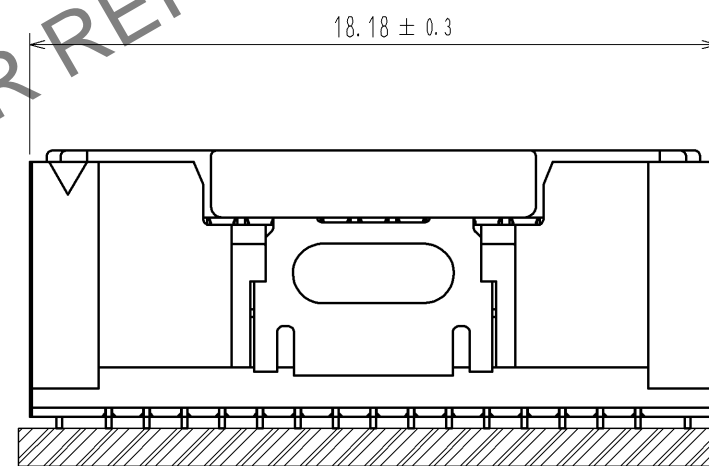
RECOMMENDED PCB LAYOUT (MOUNTING SURFACE SIDE) (FREE)



RECOMMENDED METAL MASK (FREE)  
THICKNESS : 0.1mm



MATING FIGURE (5:1)



- NOTES 1. LEAD CO-PLANARITY SHALL BE 0.1mm MAX  
2. Hatched area indicated must be free of conductive traces or the conductive traces must be covered by resist film.  
3. PLEASE CONSULT HIROSE WHEN THE PRODUCT IS MOUNTED TO FPC.

NO.	MATERIAL	FINISH . REMARKS	NO.	MATERIAL	FINISH . REMARKS
3	BRASS	CONTACT AREA : Au PLATING 0.05μm MIN LEAD AREA : Au PLATING 0.05μm MIN UNDER PLATING : Ni PLATING 1μm MIN	8	PS	REEL . BLACK
2	BRASS	CONTACT AREA : Au PLATING 0.05μm MIN LEAD AREA : Au PLATING 0.05μm MIN UNDER PLATING : Ni PLATING 1μm MIN	7	POLYESTER	CLEAR
1	LCP	BLACK . UL94V-0	6	PS	CLEAR
			5	STAINLESS STEEL	—
			4	BRASS	CONTACT AREA : Sn PLATING 1μm MIN UNDER PLATING : Ni PLATING 0.5μm MIN

UNITS	SCALE	COUNT	DESCRIPTION OF REVISIONS	DESIGNED	CHECKED	DATE
mm	FREE	5	DIS-H-007735	MI. SAKIMURA	TS. KUMAZAWA	13. 03. 22

APPROVED	DATE	DRAWING NO.
KI. AKIYAMA	11. 11. 24	EDC3-320002-04
CHECED	DATE	PART NO.
OM. MIYAMOTO	11. 11. 22	DF50-30DP-1V(52)
DESIGNED	DATE	CODE NO.
TT. OHSAKO	11. 11. 21	CL665-0001-8-52
DRAWN	DATE	
TT. OHSAKO	11. 11. 21	

May.1.2024 Copyright 2024 HIROSE ELECTRIC CO., LTD. All Rights Reserved.  
In case of consideration for using Automotive equipment / device which demand high reliability, kindly contact our sales window correspondents.

