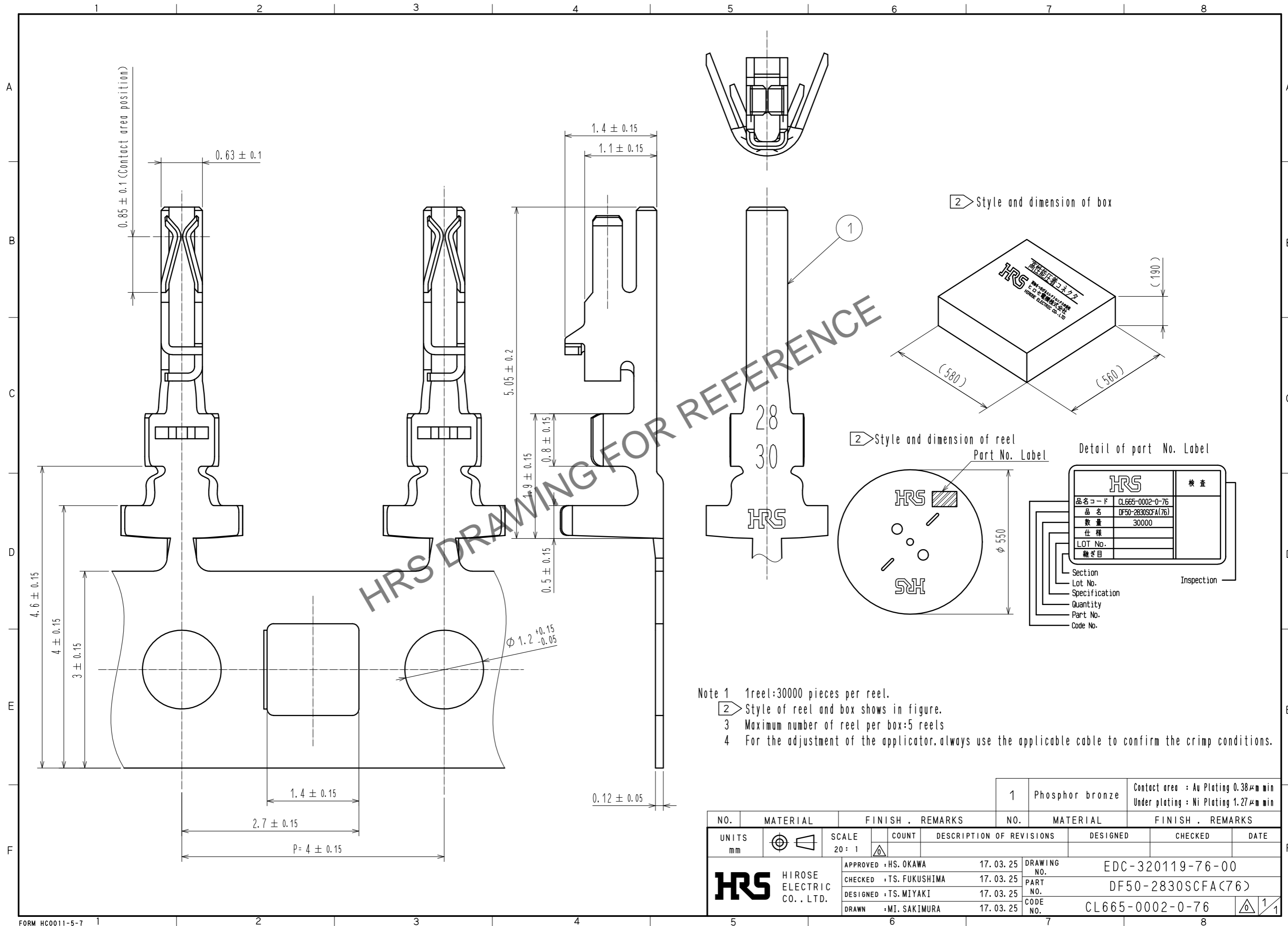
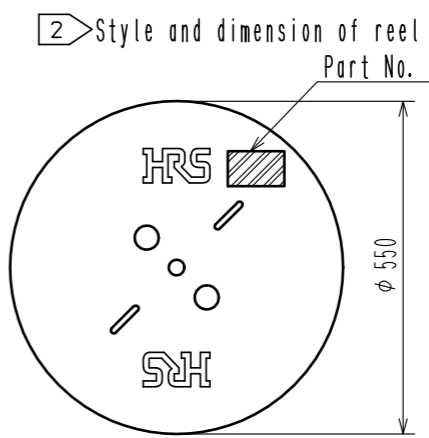
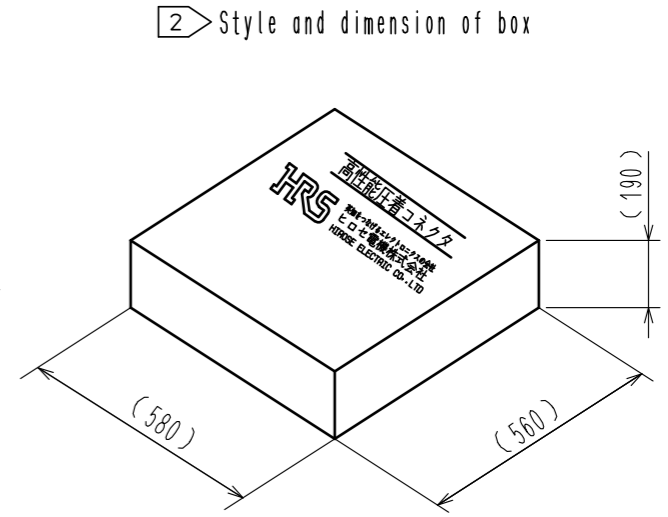


Jun.1.2024 Copyright 2024 HIROSE ELECTRIC CO., LTD. All Rights Reserved.
In case of consideration for using Automotive equipment / device which demand high reliability, kindly contact our sales window correspondents.



- Note 1 1reel:30000 pieces per reel.
 2 Style of reel and box shows in figure.
 3 Maximum number of reel per box:5 reels
 4 For the adjustment of the applicator, always use the applicable cable to confirm the crimp conditions.



Detail of part No. Label

HRS		検査
品名コード	CL665-0002-0-76	
品名	DF50-2830SCFA(76)	
数量	30000	
仕様		
LOT No.		
継ぎ目		

Section
 Lot No.
 Specification
 Quantity
 Part No.
 Code No.

Inspection

NO.	MATERIAL	FINISH . REMARKS	NO.	MATERIAL	FINISH . REMARKS		
			1	Phosphor bronze	Contact area : Au Plating 0.38μm min Under plating : Ni Plating 1.27μm min		
UNITS mm		SCALE 20:1	COUNT	DESCRIPTION OF REVISIONS	DESIGNED	CHECKED	DATE
HRS	HIROSE ELECTRIC CO., LTD.		APPROVED : HS. OKAWA CHECKED : TS. FUKUSHIMA DESIGNED : TS. MIYAKI DRAWN : MI. SAKIMURA	17.03.25 17.03.25 17.03.25 17.03.25	DRAWING NO. PART NO. CODE NO.	EDC-320119-76-00 DF50-2830SCFA(76) CL665-0002-0-76	
							1/1