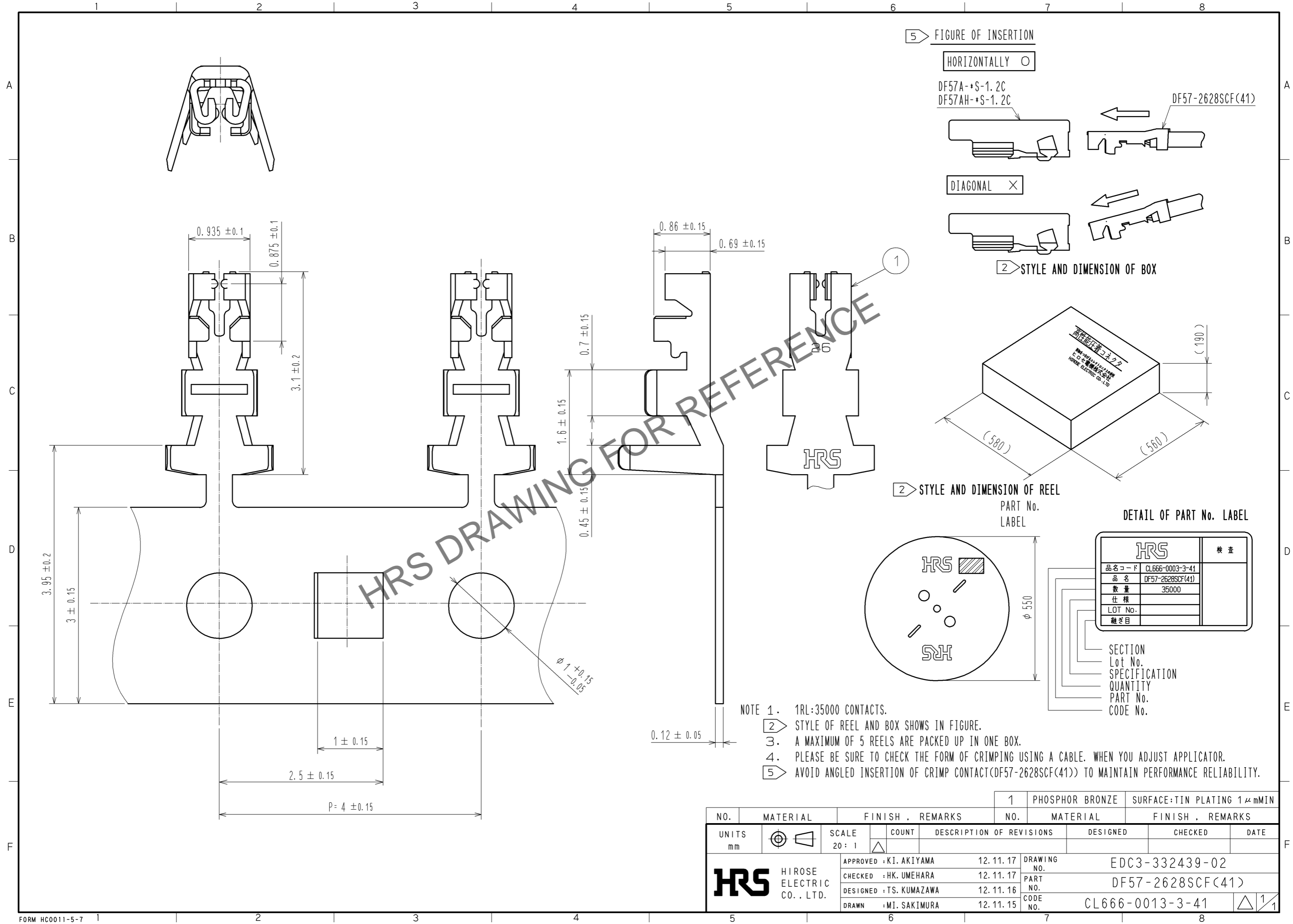


Jun.1.2024 Copyright 2024 HIROSE ELECTRIC CO., LTD. All Rights Reserved.  
In case of consideration for using Automotive equipment / device which demand high reliability, kindly contact our sales window correspondents.



NO.	MATERIAL	FINISH	REMARKS	NO.	MATERIAL	FINISH	REMARKS
				1	PHOSPHOR BRONZE		SURFACE:TIN PLATING 1 μmMIN

UNITS	SCALE	COUNT	DESCRIPTION OF REVISIONS	DESIGNED	CHECKED	DATE
mm	20:1	△				
APPROVED : KI. AKIYAMA			12.11.17	DRAWING NO. EDC3-332439-02		
CHECKED : HK. UMEHARA			12.11.17	PART NO. DF57-2628SCF(41)		
DESIGNED : TS. KUMAZAWA			12.11.16	CODE NO. CL666-0013-3-41		
DRAWN : MI. SAKIMURA			12.11.15	△ 1/1		