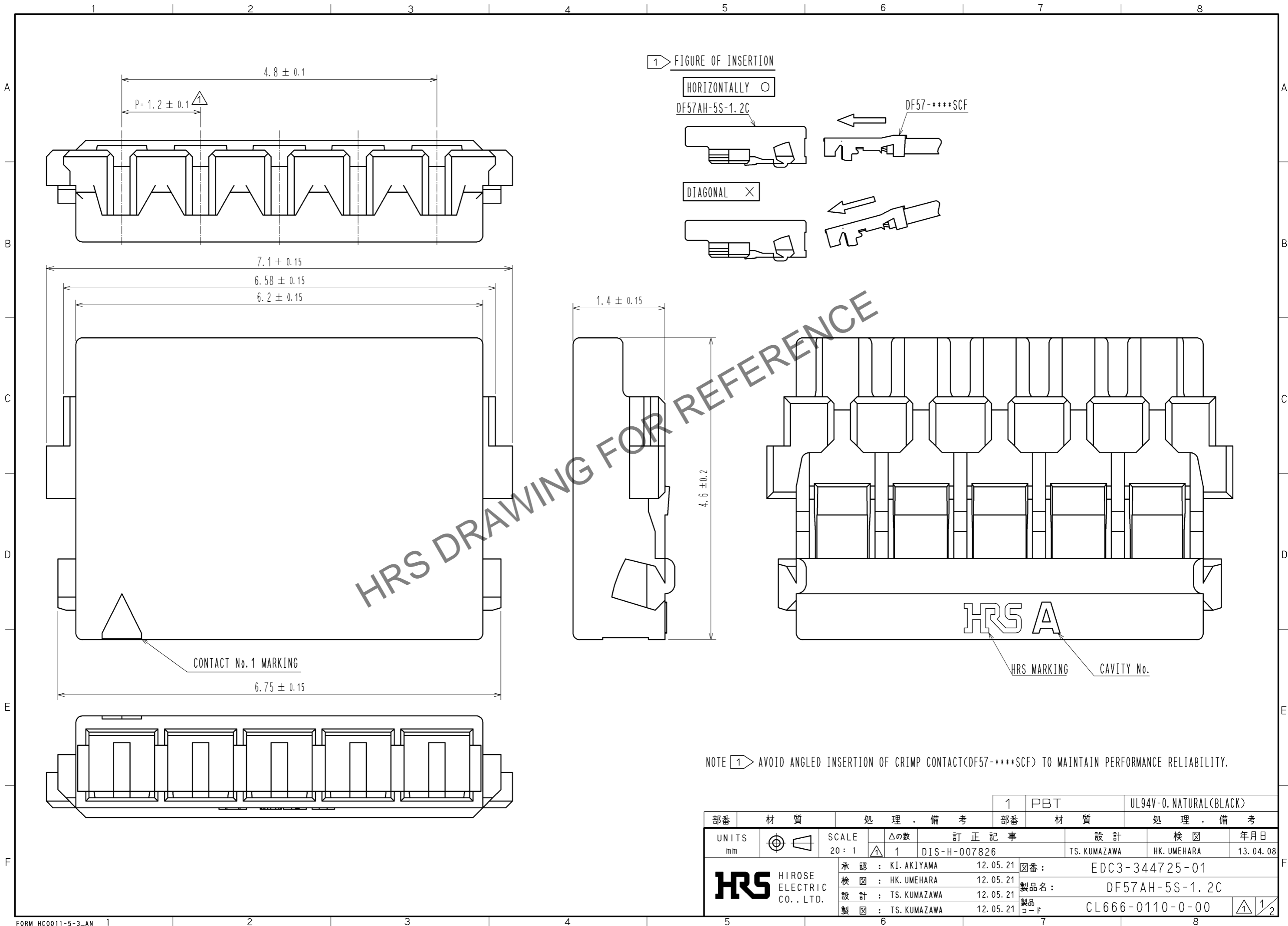


Jun.1.2024 Copyright 2024 HIROSE ELECTRIC CO., LTD. All Rights Reserved.
 In case of consideration for using Automotive equipment / device which demand high reliability, kindly contact our sales window correspondents.

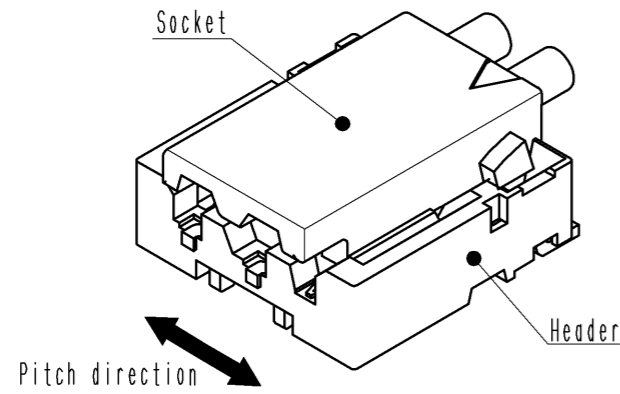


UNITS mm		SCALE 20:1		△の数 1		訂正記事 DIS-H-007826		設計 TS. KUMAZAWA		検図 HK. UMEHARA		年月日 13. 04. 08	
HRS HIROSE ELECTRIC CO., LTD.		承認 : KI. AKIYAMA 12. 05. 21		検図 : HK. UMEHARA 12. 05. 21		設計 : TS. KUMAZAWA 12. 05. 21		製図 : TS. KUMAZAWA 12. 05. 21		部番 : 1		PBT UL94V-0, NATURAL(BLACK)	
		承 認 : KI. AKIYAMA 12. 05. 21		検 図 : HK. UMEHARA 12. 05. 21		設 計 : TS. KUMAZAWA 12. 05. 21		製 図 : TS. KUMAZAWA 12. 05. 21		図番 : EDC3-344725-01		製品名 : DF57AH-5S-1.2C	
										製品コード : CL666-0110-0-00		1/2	

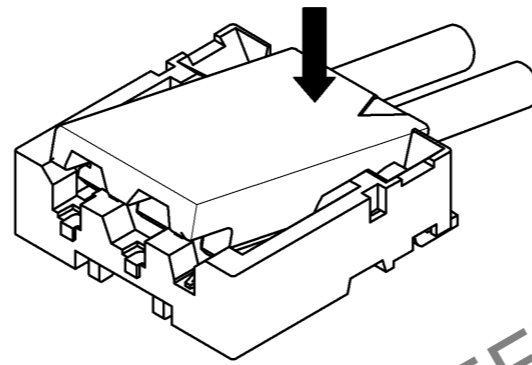
DF57 Series Mating / Unmating Operation Instruction

Mating

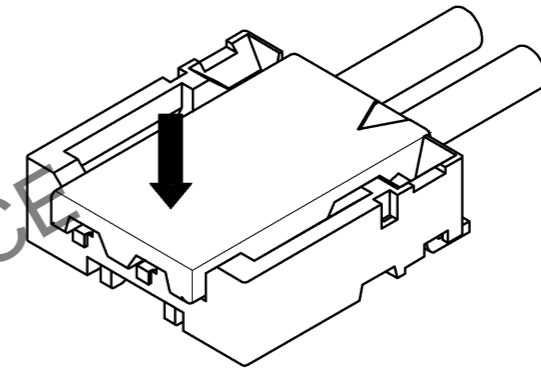
① By positioning the convexity of the socket sides to the header concavity, align the centers of the socket and the header in pitch direction.



② Slightly press the socket down at cable side to tilted angle.

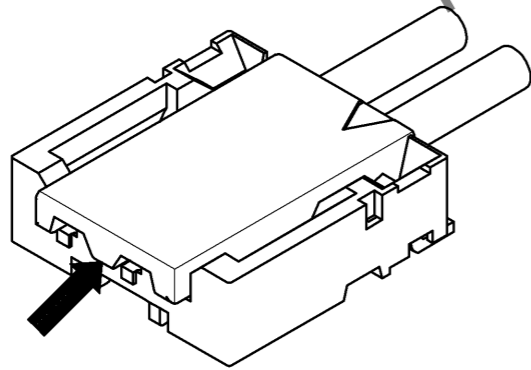


③ Press down at the lever side with stabilizing the cable side to insert. Mating completes.

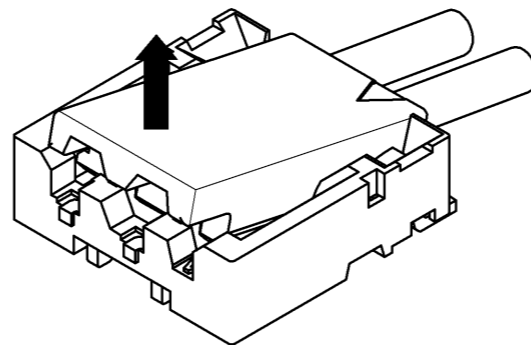


Unmating

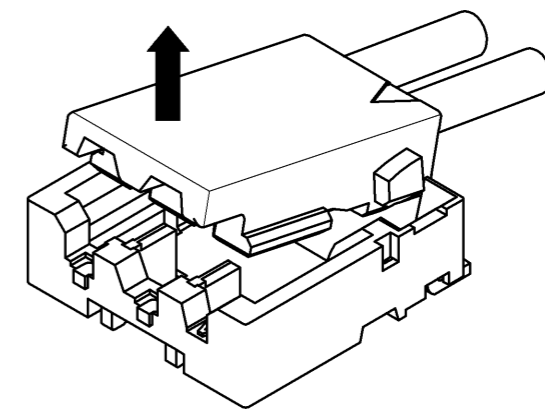
① Hook the lever with finger nail.



② Lift up to the upper direction and friction lock is released.



③ Lift up to the upper direction and positive lock is released. Removal completes.



HRS DRAWING FOR REFERENCE

HRS	DRAWING NO.	EDC3-344725-01
	PART NO.	DF57AH-5S-1.2C
	CODE NO.	CL666-0110-0-00
		2/2

Jun.1.2024 Copyright 2024 HIROSE ELECTRIC CO., LTD. All Rights Reserved. In case of consideration for using Automotive equipment / device which demand high reliability, kindly contact our sales window correspondents.