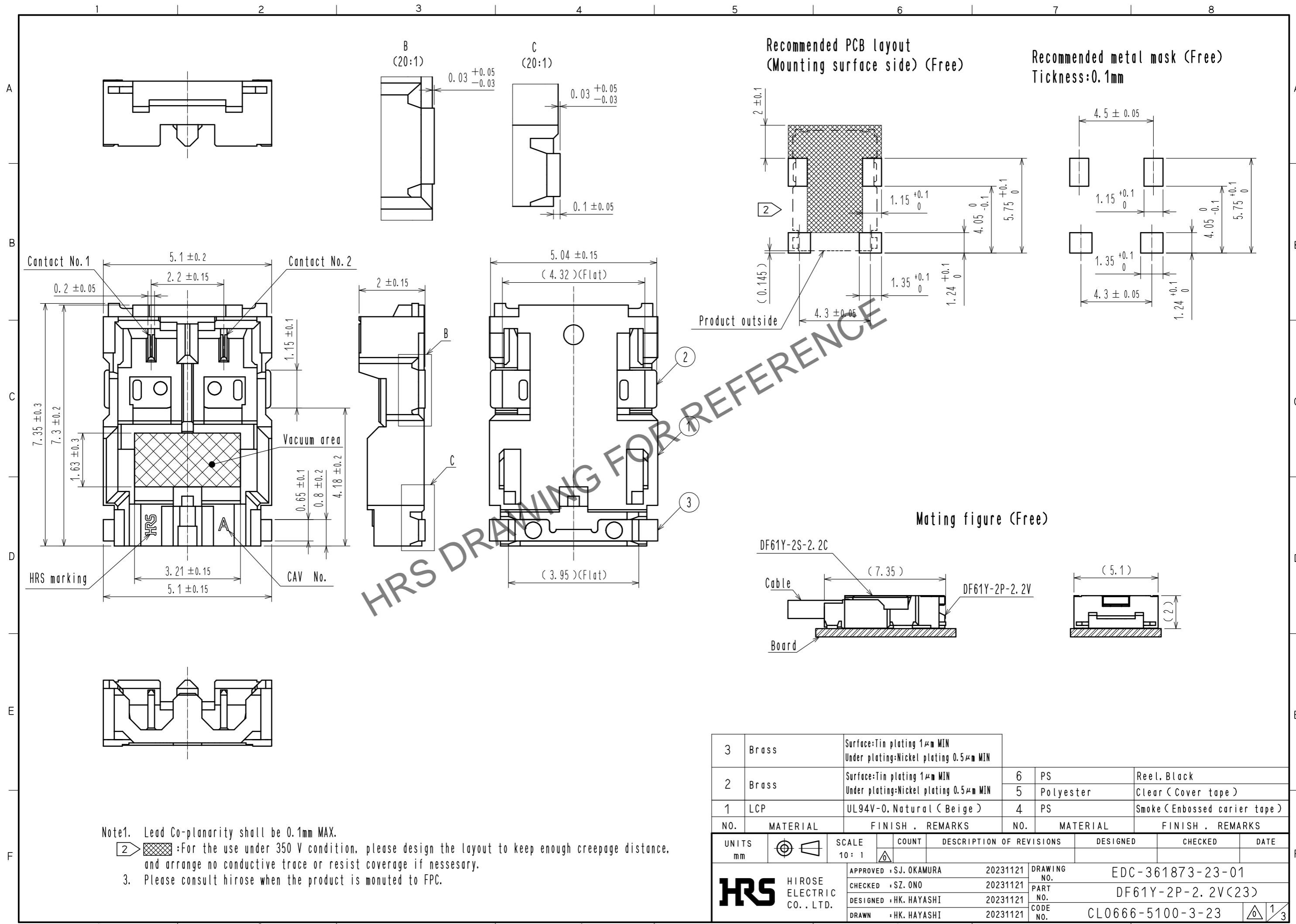


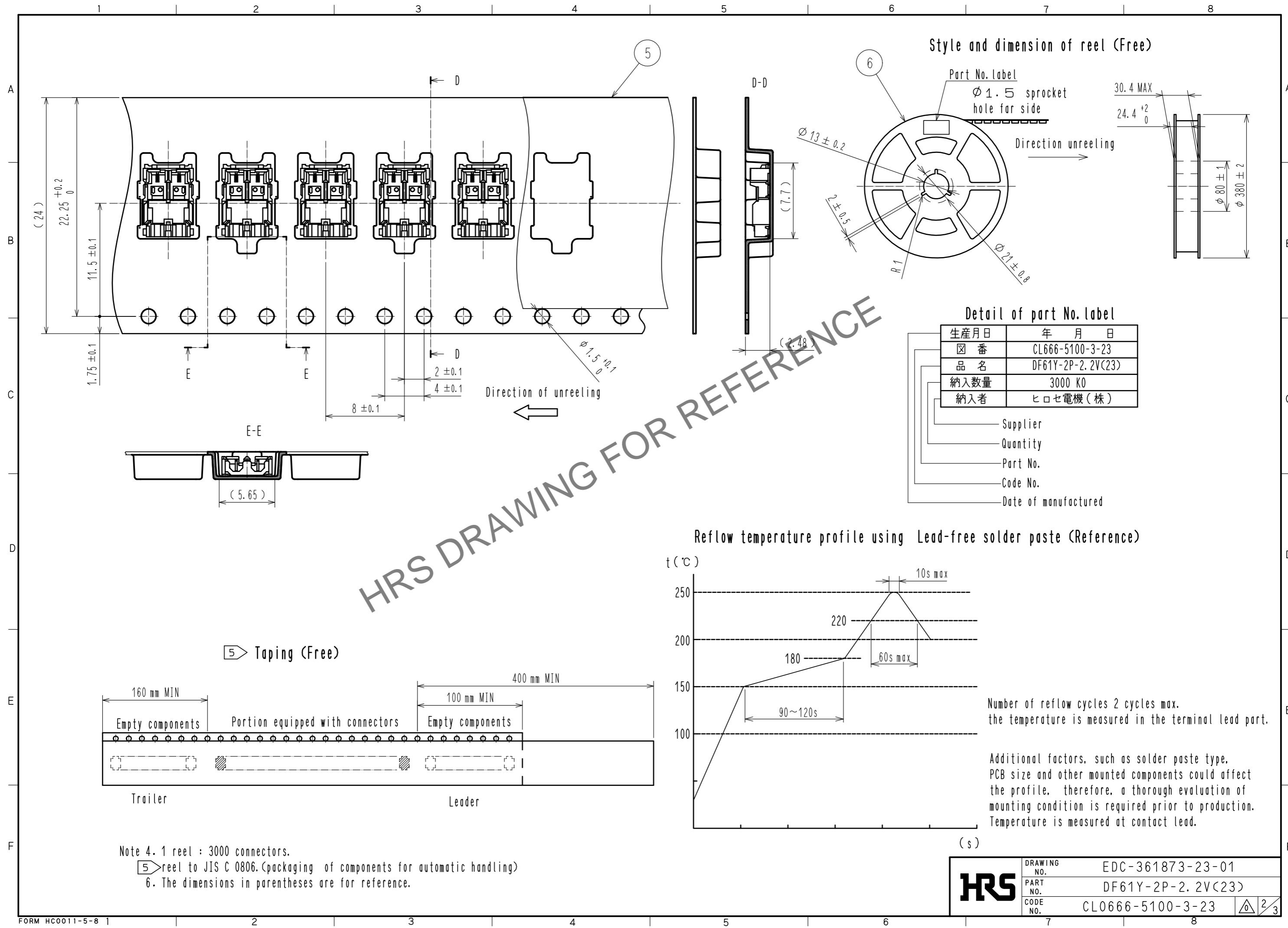
Jul.1.2024 Copyright 2024 HIROSE ELECTRIC CO., LTD. All Rights Reserved.  
 In case of consideration for using Automotive equipment / device which demand high reliability, kindly contact our sales window correspondents.



Note1. Lead Co-planarity shall be 0.1mm MAX.  
 2. :For the use under 350 V condition, please design the layout to keep enough creepage distance, and arrange no conductive trace or resist coverage if nessesary.  
 3. Please consult hirose when the product is monuted to FPC.

3	Brass	Surface: Tin plating 1μm MIN Under plating: Nickel plating 0.5μm MIN			
2	Brass	Surface: Tin plating 1μm MIN Under plating: Nickel plating 0.5μm MIN	6	PS	Reel. Black
			5	Polyester	Clear (Cover tape)
1	LCP	UL94V-0. Natural ( Beige )	4	PS	Smoke (Embossed carrier tape)
NO.	MATERIAL	FINISH . REMARKS	NO.	MATERIAL	FINISH . REMARKS
UNITS		SCALE	COUNT	DESCRIPTION OF REVISIONS	
mm		10: 1		DESIGNED	CHECKED
<b>HRS</b> HIROSE ELECTRIC CO., LTD.		APPROVED : SJ. OKAMURA	20231121	DRAWING NO. EDC-361873-23-01	
		CHECKED : SZ. ONO	20231121	PART NO. DF61Y-2P-2.2V(23)	
		DESIGNED : HK. HAYASHI	20231121	CODE NO. CL0666-5100-3-23	
		DRAWN : HK. HAYASHI	20231121	1/3	

Jul.1.2024 Copyright 2024 HIROSE ELECTRIC CO., LTD. All Rights Reserved.  
 In case of consideration for using Automotive equipment / device which demand high reliability, kindly contact our sales window correspondents.



Style and dimension of reel (Free)

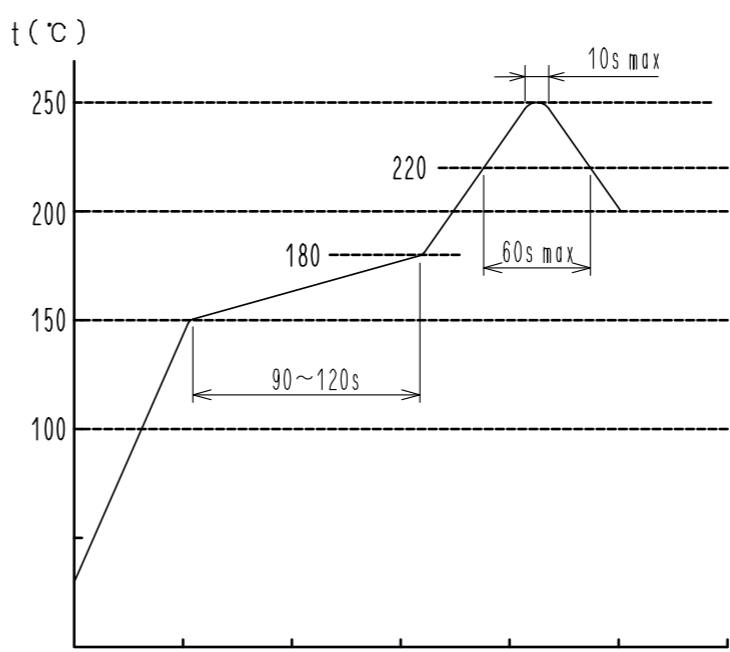
Part No. Label  
 Ø 1.5 sprocket hole for side

Detail of part No. label

生産月日	年 月 日
図 番	CL666-5100-3-23
品 名	DF61Y-2P-2.2V(23)
納入数量	3000 K0
納入者	ヒロセ電機(株)

- Supplier
- Quantity
- Part No.
- Code No.
- Date of manufactured

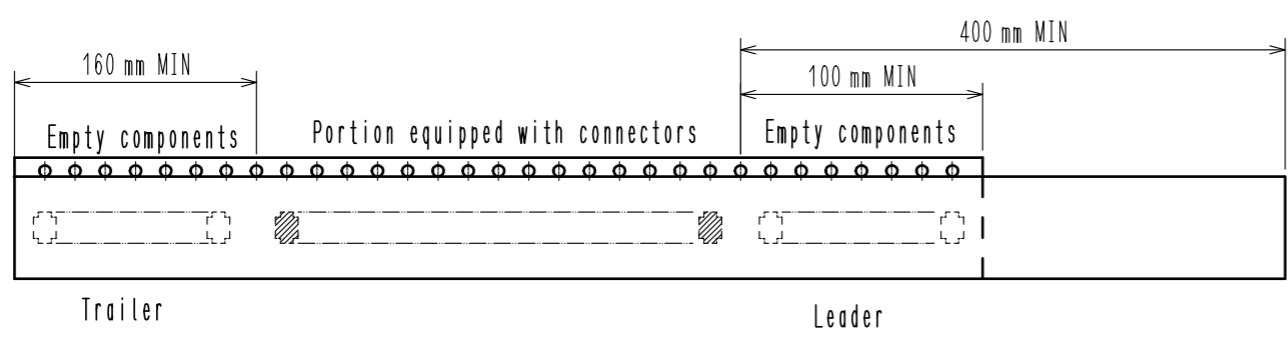
Reflow temperature profile using Lead-free solder paste (Reference)



Number of reflow cycles 2 cycles max.  
 the temperature is measured in the terminal lead part.

Additional factors, such as solder paste type, PCB size and other mounted components could affect the profile, therefore, a thorough evaluation of mounting condition is required prior to production. Temperature is measured at contact lead.

5 Taping (Free)



Note 4. 1 reel : 3000 connectors.

- 5 reel to JIS C 0806.(packaging of components for automatic handling)
- 6. The dimensions in parentheses are for reference.

<b>HRS</b>	DRAWING NO.	EDC-361873-23-01
	PART NO.	DF61Y-2P-2.2V(23)
	CODE NO.	CL0666-5100-3-23
		2/3

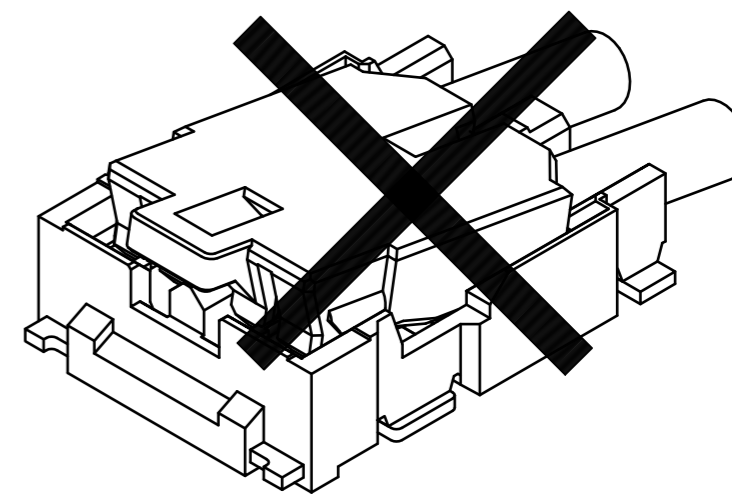
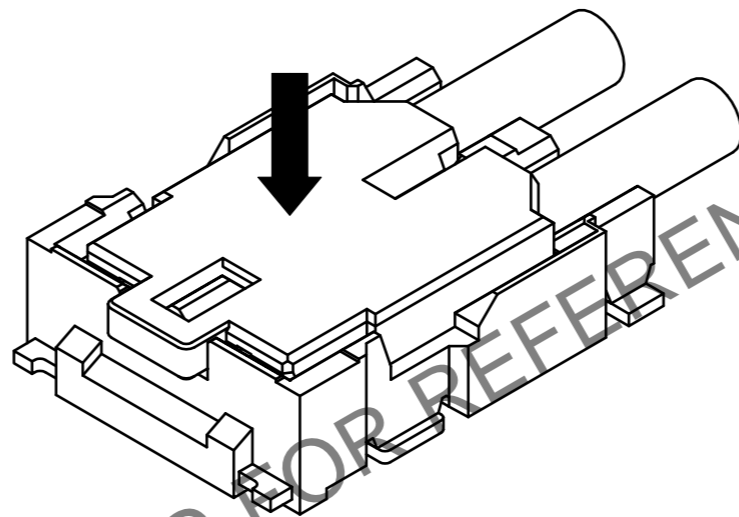
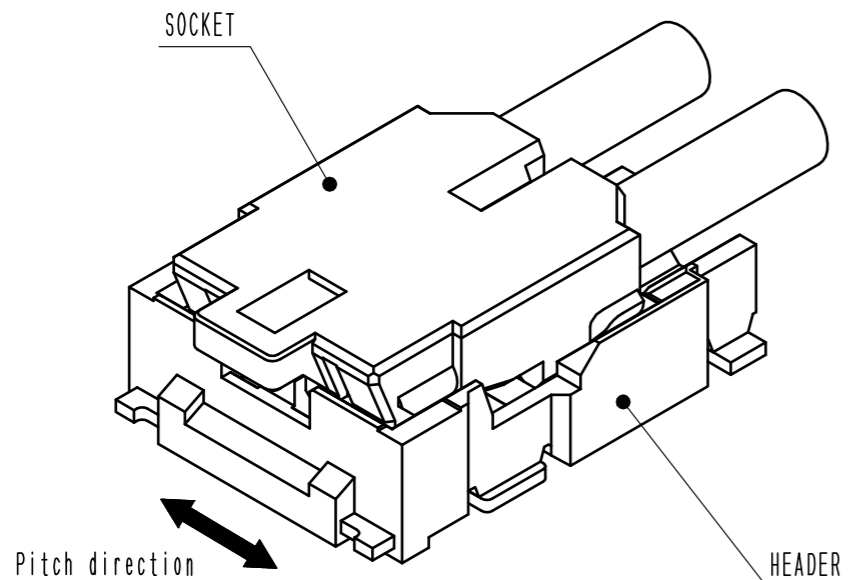
# DF61Y Series Mating / Unmating Operation Instruction

## Mating

① By positioning the convexity of the socket sides to the header concavity, align the centers of the socket and the header in pitch direction.

② Slightly press the socket down at the center of the socket.

③ Press down at the lever side with stabilizing the cable side to insert. Mating completes.

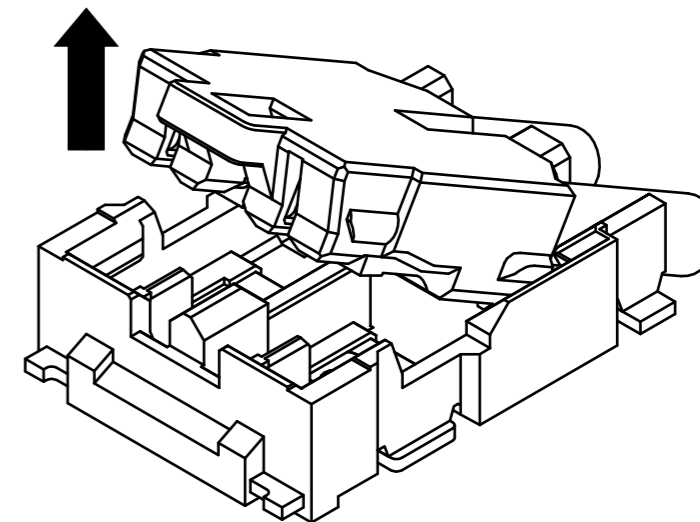
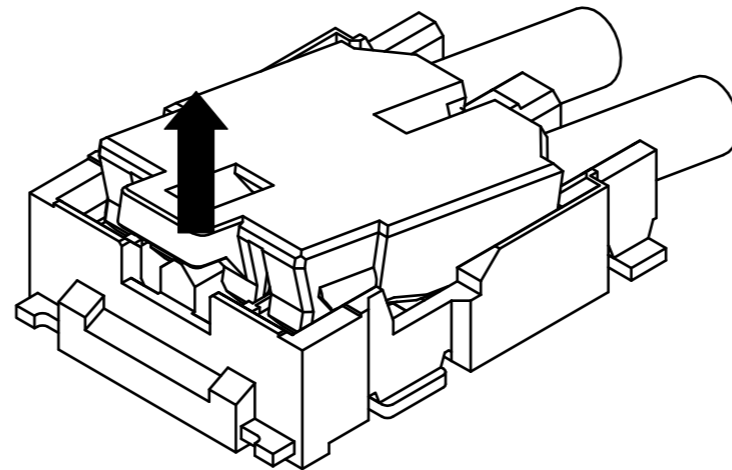
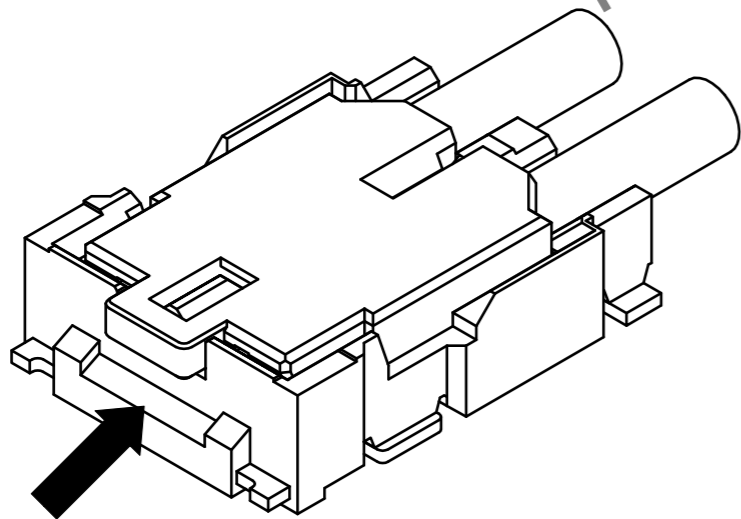


## Unmating

① Hook the lever with finger nail.

② Lift up to the upper direction and friction lock is released.

③ Lift it up to the upper direction more, and removal completes.



<b>HRS</b>	DRAWING NO.	EDC-361873-23-01
	PART NO.	DF61Y-2P-2.2V(23)
	CODE NO.	CL0666-5100-3-23
		3/3

In case of consideration for using Automotive equipment / device which demand high reliability, kindly contact our sales window correspondents.