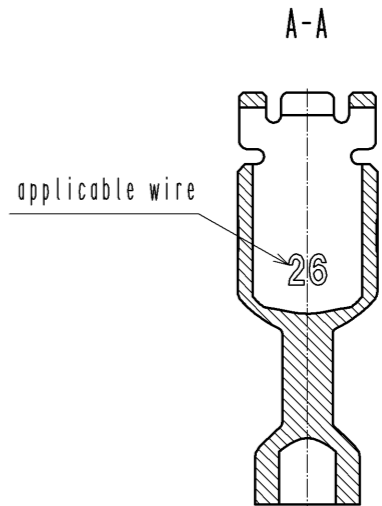
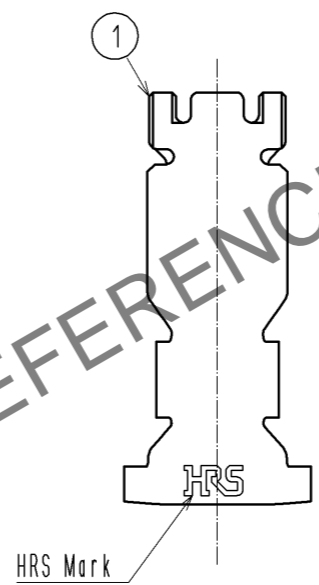
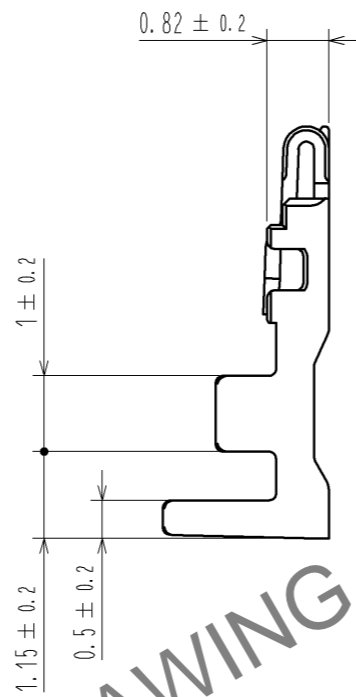
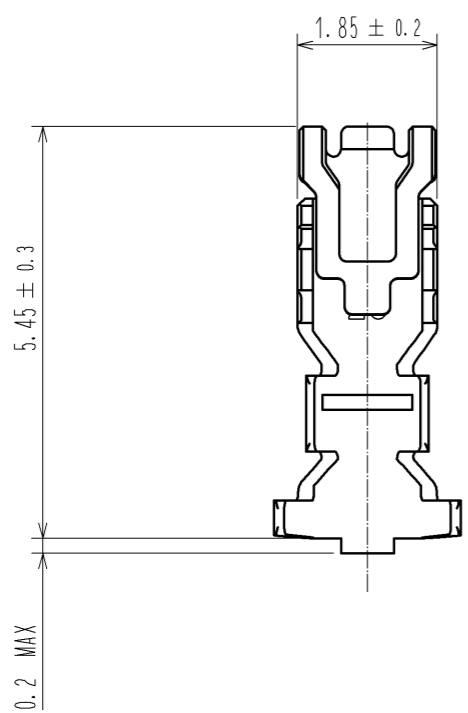
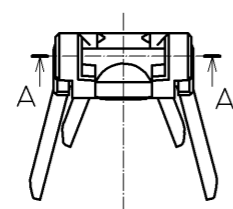


Jun.1.2024 Copyright 2024 HIROSE ELECTRIC CO., LTD. All Rights Reserved.
 In case of consideration for using Automotive equipment / device which demand high reliability, kindly contact our sales window correspondents.



HRS DRAWING FOR REFERENCE

Notes

1. 1Pack : 100 contacts.
2. Always refer to the manuals below for operation of this product.
 For Cable assembly / Cable assembly procedure ETAD-H0778
 For Mating/Unmating / Operation manual ETAD-H0779

NO.	MATERIAL	FINISH . REMARKS	NO.	MATERIAL	FINISH . REMARKS
			1	Copper Alloy	Surface :Tin plating 1μm MIN

UNITS	SCALE	COUNT	DESCRIPTION OF REVISIONS	DESIGNED	CHECKED	DATE
mm	10 : 1	△				
HIROSE ELECTRIC CO., LTD.			APPROVED : KI. AKIYAMA	14.08.01	DRAWING NO. EDC3-358516-01	
			CHECED : HK. UMEHARA	14.08.01	PART NO. DF59M-2628PC	
			DESIGNED : SZ. ONO	14.08.01	CODE NO. CL667-0045-6-00	
			DRAWN : SZ. ONO	14.08.01	△ 1/1	