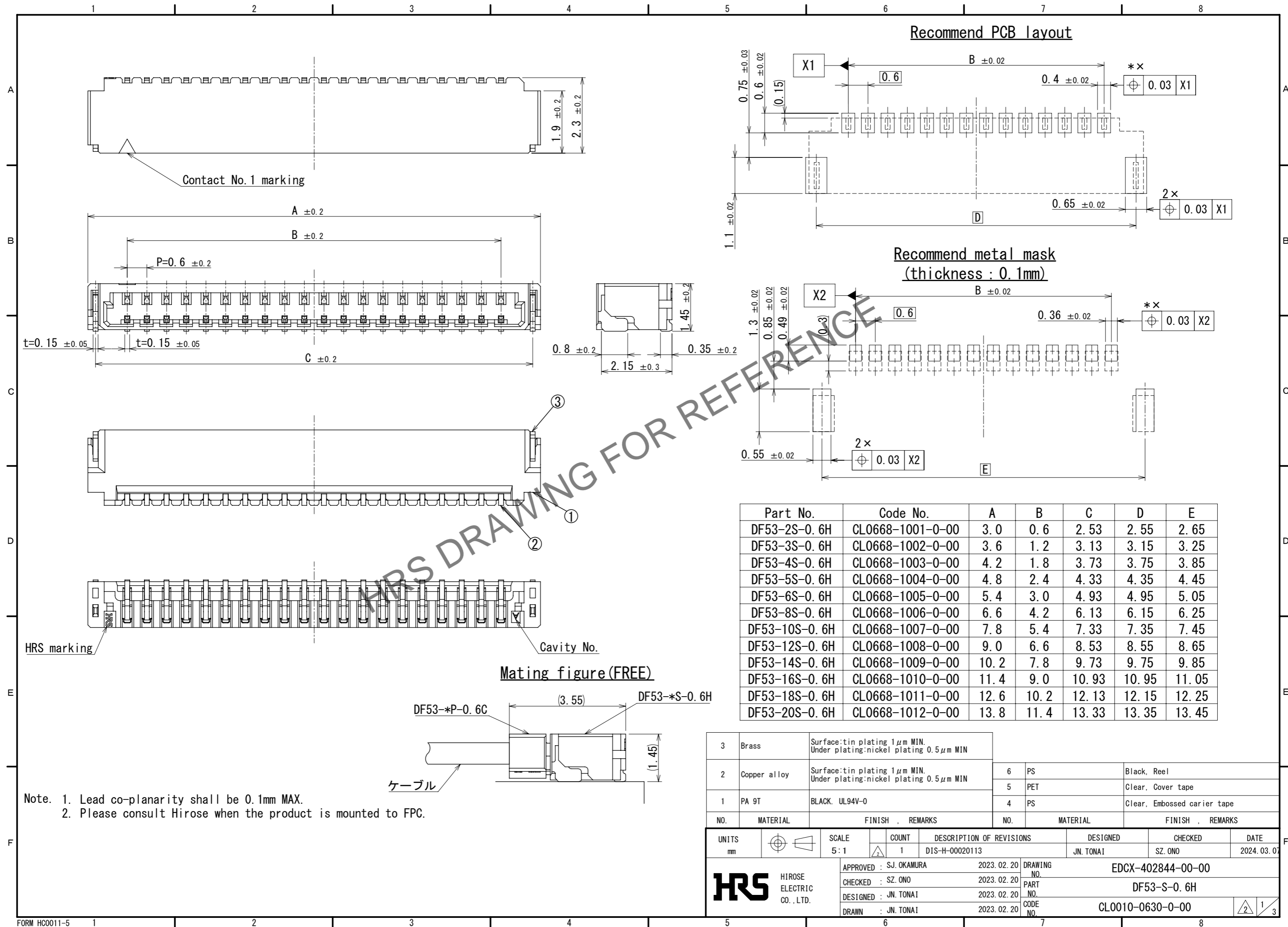


Nov.1.2024 Copyright 2024 HIROSE ELECTRIC CO., LTD. All Rights Reserved.  
In case of consideration for using Automotive equipment / device which demand high reliability, kindly contact our sales window correspondents.



Note. 1. Lead co-planarity shall be 0.1mm MAX.  
2. Please consult Hirose when the product is mounted to FPC.

Part No.	Code No.	A	B	C	D	E
DF53-2S-0.6H	CL0668-1001-0-00	3.0	0.6	2.53	2.55	2.65
DF53-3S-0.6H	CL0668-1002-0-00	3.6	1.2	3.13	3.15	3.25
DF53-4S-0.6H	CL0668-1003-0-00	4.2	1.8	3.73	3.75	3.85
DF53-5S-0.6H	CL0668-1004-0-00	4.8	2.4	4.33	4.35	4.45
DF53-6S-0.6H	CL0668-1005-0-00	5.4	3.0	4.93	4.95	5.05
DF53-8S-0.6H	CL0668-1006-0-00	6.6	4.2	6.13	6.15	6.25
DF53-10S-0.6H	CL0668-1007-0-00	7.8	5.4	7.33	7.35	7.45
DF53-12S-0.6H	CL0668-1008-0-00	9.0	6.6	8.53	8.55	8.65
DF53-14S-0.6H	CL0668-1009-0-00	10.2	7.8	9.73	9.75	9.85
DF53-16S-0.6H	CL0668-1010-0-00	11.4	9.0	10.93	10.95	11.05
DF53-18S-0.6H	CL0668-1011-0-00	12.6	10.2	12.13	12.15	12.25
DF53-20S-0.6H	CL0668-1012-0-00	13.8	11.4	13.33	13.35	13.45

NO.	MATERIAL	FINISH	REMARKS	NO.	MATERIAL	FINISH	REMARKS
3	Brass	Surface:tin plating 1μm MIN. Under plating:nickel plating 0.5μm MIN		6	PS	Black.	Reel
2	Copper alloy	Surface:tin plating 1μm MIN. Under plating:nickel plating 0.5μm MIN		5	PET	Clear.	Cover tape
1	PA 9T	BLACK. UL94V-0		4	PS	Clear.	Embossed carrier tape

UNITS	SCALE	COUNT	DESCRIPTION OF REVISIONS	DESIGNED	CHECKED	DATE
mm	5:1	1	DIS-H-00020113	JN. TONAI	SZ. ONO	2024.03.07

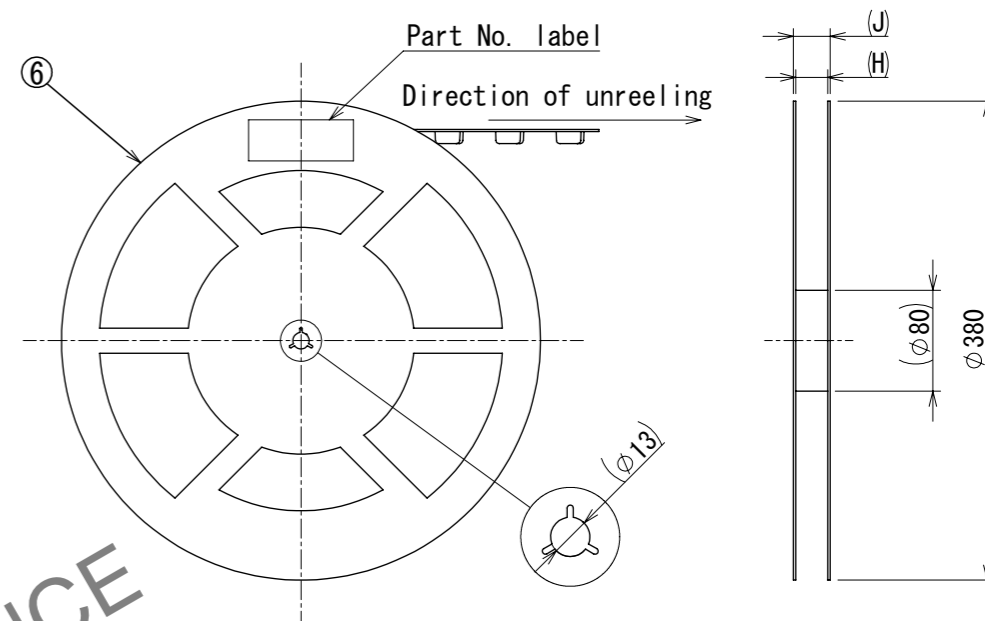
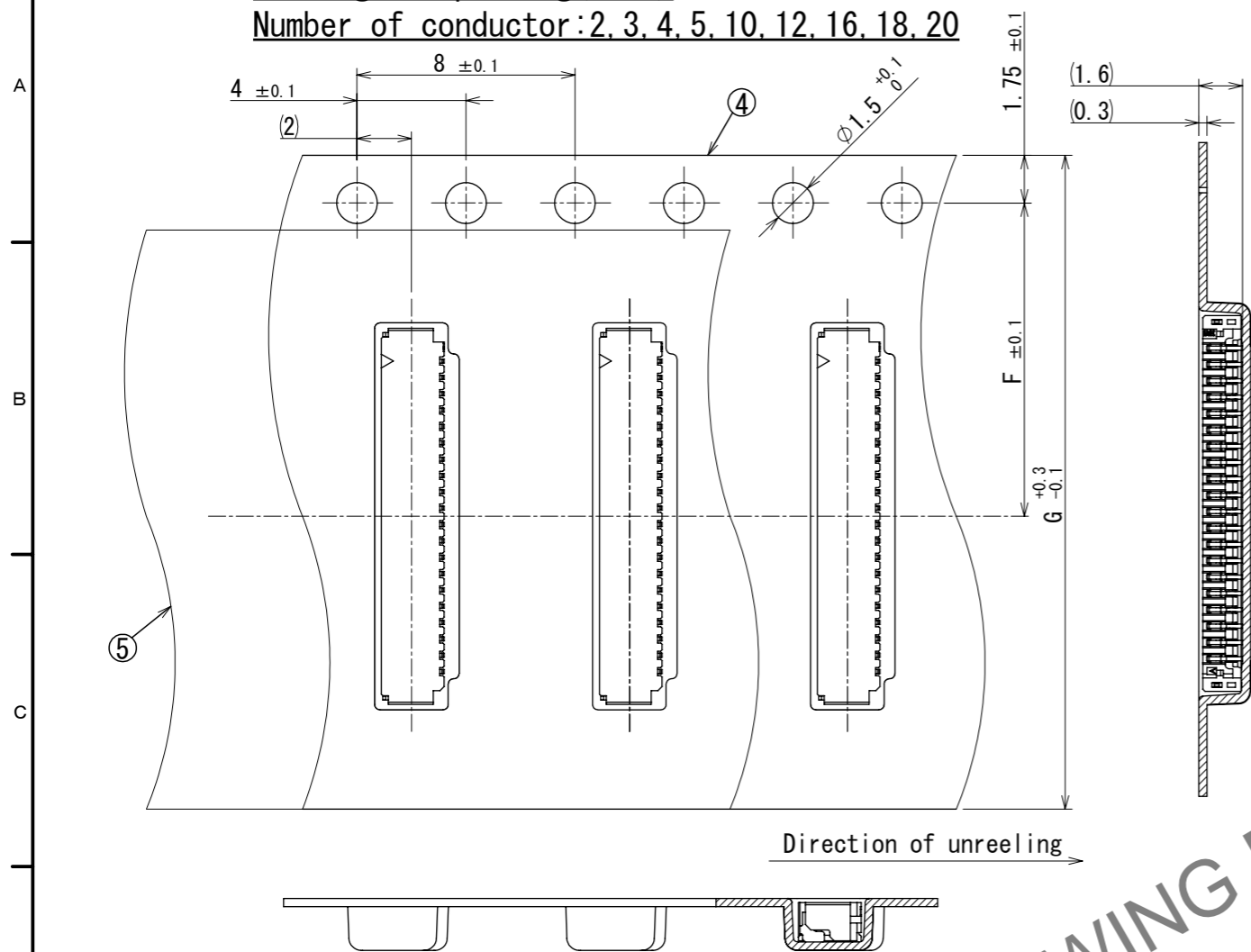
APPROVED	: SJ. OKAMURA	2023.02.20	DRAWING NO.	EDCX-402844-00-00	
CHECKED	: SZ. ONO	2023.02.20	PART NO.	DF53-S-0.6H	
DESIGNED	: JN. TONAI	2023.02.20	CODE NO.	CL0010-0630-0-00	
DRAWN	: JN. TONAI	2023.02.20			

Nov.1.2024 Copyright 2024 HIROSE ELECTRIC CO., LTD. All Rights Reserved.  
In case of consideration for using Automotive equipment / device which demand high reliability, kindly contact our sales window correspondents.

**Drawing for packing(FREE)**

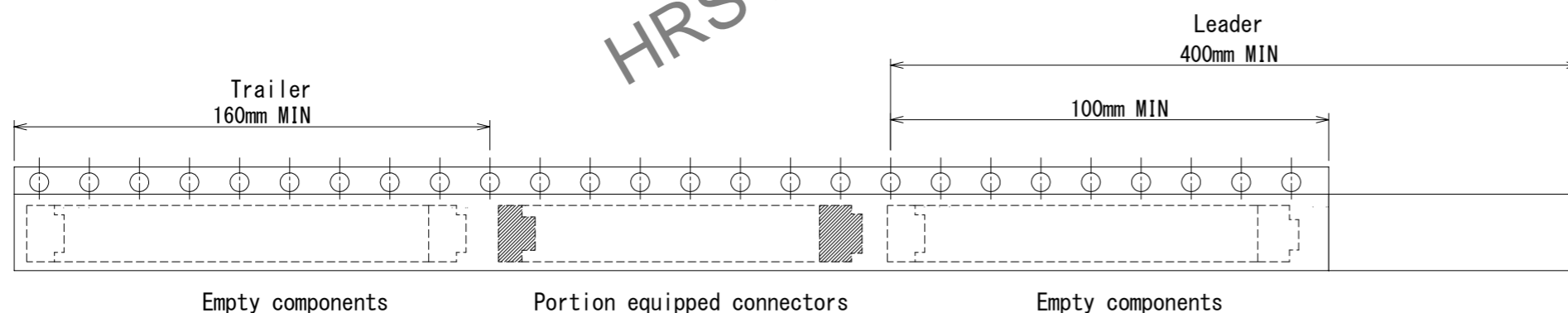
Number of conductor: 2, 3, 4, 5, 10, 12, 16, 18, 20

**Style and dimension of reel(FREE)**

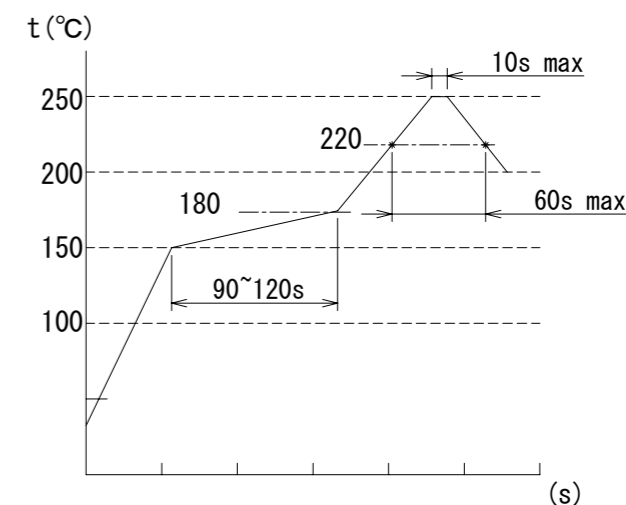


Part No.	Code No.	F	G	H	J
DF53-2S-0.6H	CL0668-1001-0-00	7.5	16	17.4	21.4
DF53-3S-0.6H	CL0668-1002-0-00	7.5	16	17.4	21.4
DF53-4S-0.6H	CL0668-1003-0-00	7.5	16	17.4	21.4
DF53-5S-0.6H	CL0668-1004-0-00	7.5	16	17.4	21.4
DF53-10S-0.6H	CL0668-1007-0-00	11.5	24	25.4	29.4
DF53-12S-0.6H	CL0668-1008-0-00	11.5	24	25.4	29.4
DF53-16S-0.6H	CL0668-1010-0-00	11.5	24	25.4	29.4
DF53-18S-0.6H	CL0668-1011-0-00	11.5	24	25.4	29.4
DF53-20S-0.6H	CL0668-1012-0-00	11.5	24	25.4	29.4

**5 Taping(FREE)**



**Reflow temperature profile in resistance to solderring heat**



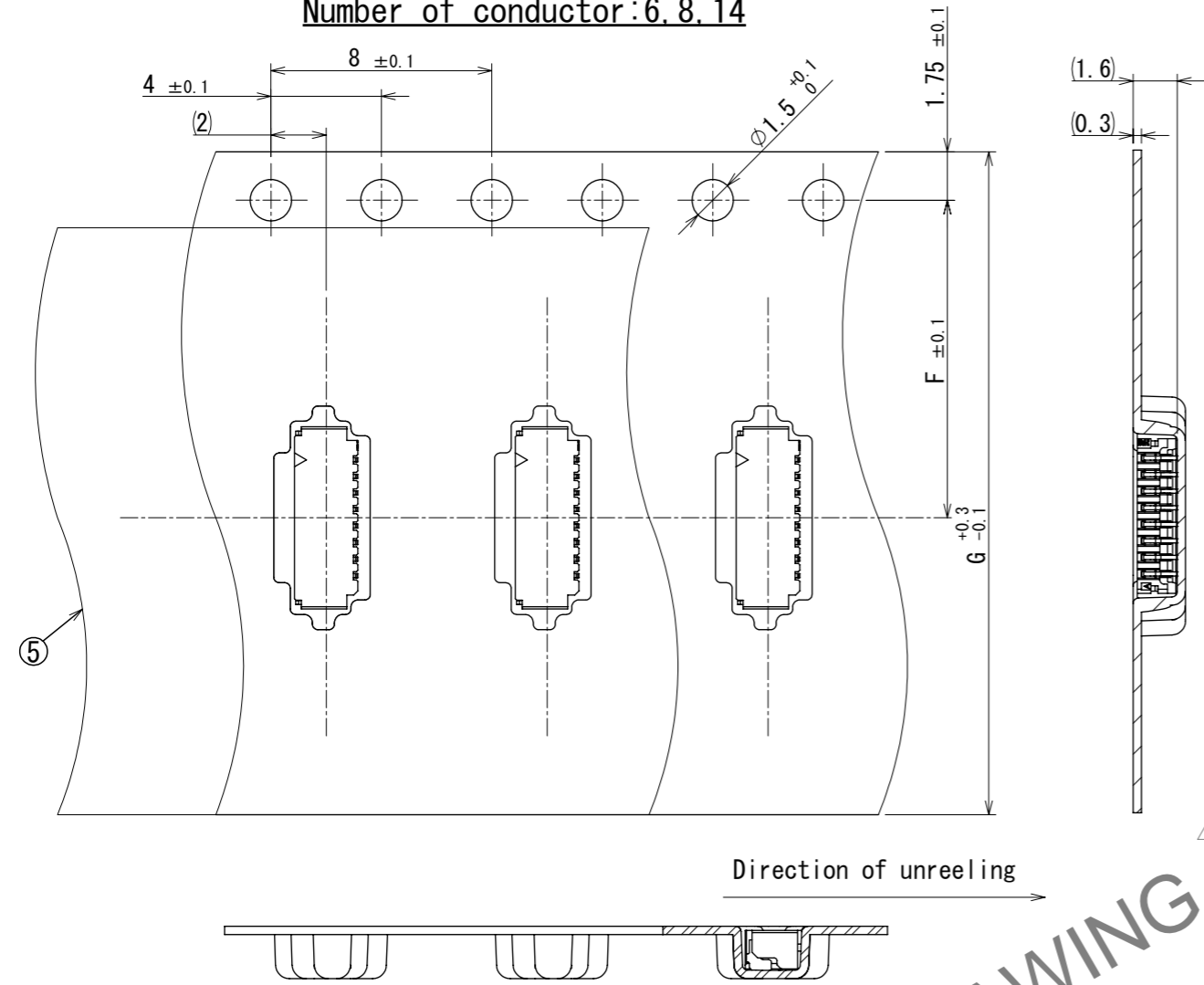
Number of reflow cycles 2 cycles MAX.

- Note
- 1 reel:5,000 connectors.
  - ( ) is reference dimension.
  - Refer to IEC 60286-3 and JIS C 0806-3. (Packaging of components for automated handling)
  - This product satisfies halogen free requirements defined as 900 ppm maximum chlorine, 900 ppm maximum bromine, and 1500 ppm maximum total of chlorine and bromine.
  - Refer to the technical specification(ETAP-H1068) for packing type.
  - Please make sure refer to the manuals below for operation of this product.  
For operation manual ETAD-H0996-00

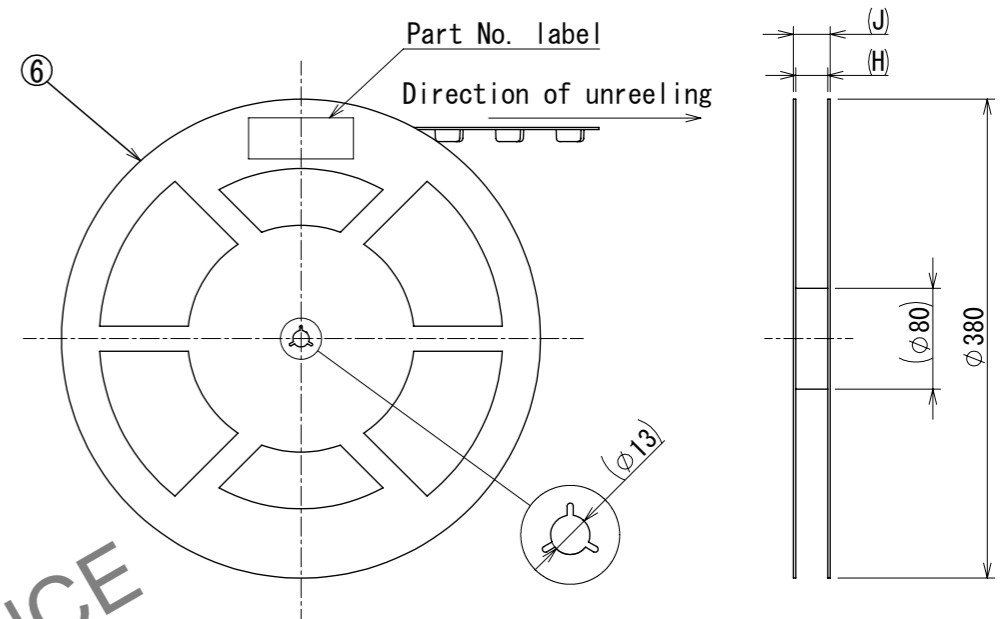
<b>HRS</b>	DRAWING NO.	EDCX-402844-00-00
	PART NO.	DF53-S-0.6H
	CODE NO.	CL0010-0630-0-00
		2/3

Nov.1.2024 Copyright 2024 HIROSE ELECTRIC CO., LTD. All Rights Reserved.  
In case of consideration for using Automotive equipment / device which demand high reliability, kindly contact our sales window correspondents.

**Drawing for packing(FREE)**  
Number of conductor:6,8,14



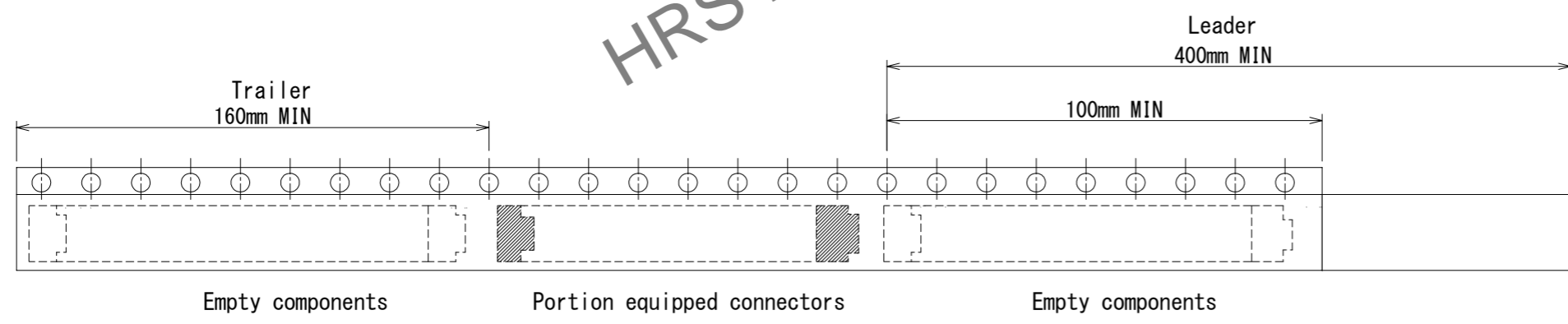
**Style and dimension of reel (FREE)**



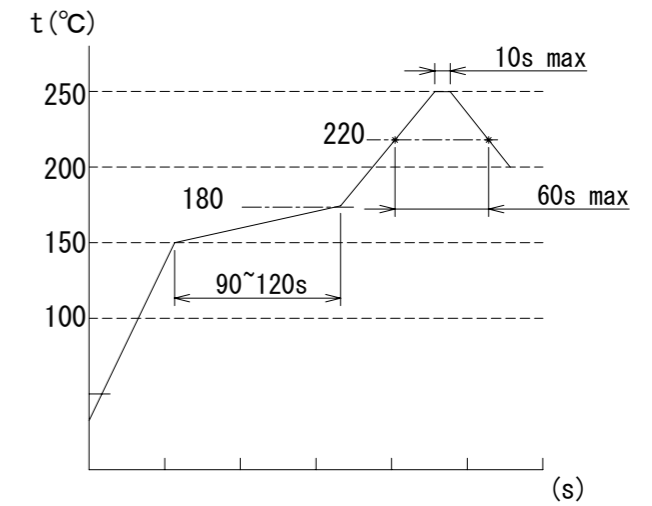
Part No.	Code No.	F	G	H	J
DF53-6S-0.6H	CL0668-1005-0-00	7.5	16	17.4	21.4
DF53-8S-0.6H	CL0668-1006-0-00	11.5	24	25.4	29.4
DF53-14S-0.6H	CL0668-1009-0-00	11.5	24	25.4	29.4

HRS DRAWING FOR REFERENCE

**5 Taping(FREE)**



**Reflow temperature profile in resistance to solderring heat**



Number of reflow cycles 2 cycles MAX.

- Note
- 1 reel:5,000 connectors.
  - ( ) is reference dimension.
  - Refer to IEC 60286-3 and JIS C 0806-3. (Packaging of components for automated handling)
  - This product satisfies halogen free requirements defined as 900 ppm maximum chlorine, 900 ppm maximum bromine, and 1500 ppm maximum total of chlorine and bromine.
  - Refer to the technical specification(ETAP-H1068) for packing type.
  - Please make sure refer to the manuals below for operation of this product.  
For operation manual ETAD-H0996-00

<b>HRS</b>	DRAWING NO.	EDCX-402844-00-00	3/3
	PART NO.	DF53-S-0.6H	
	CODE NO.	CL0010-0630-0-00	
	NO.		