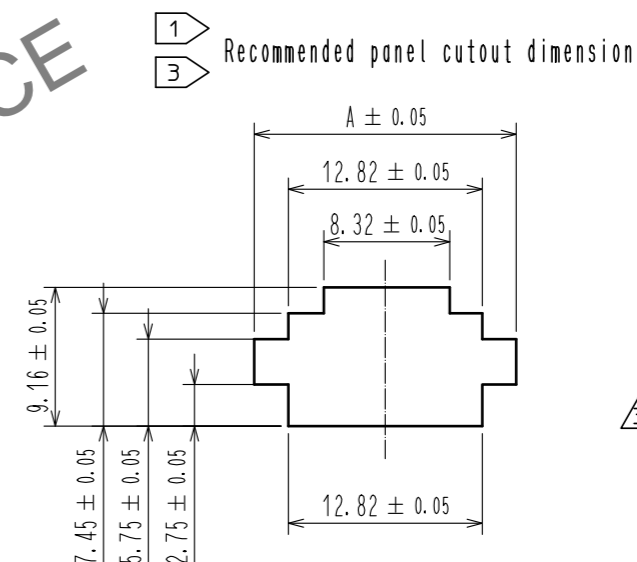
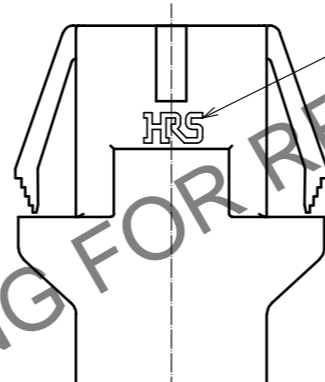
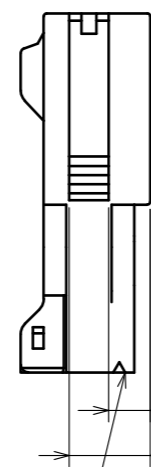
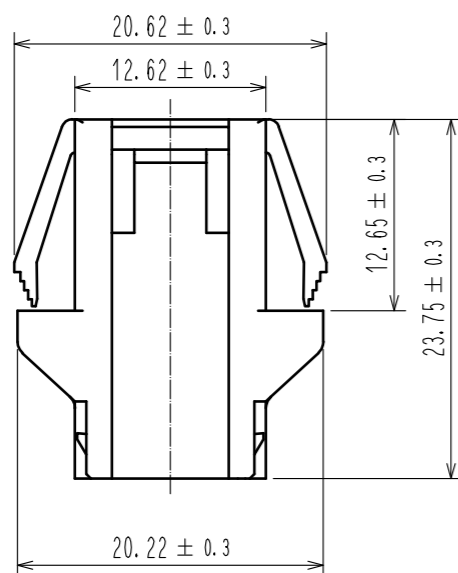
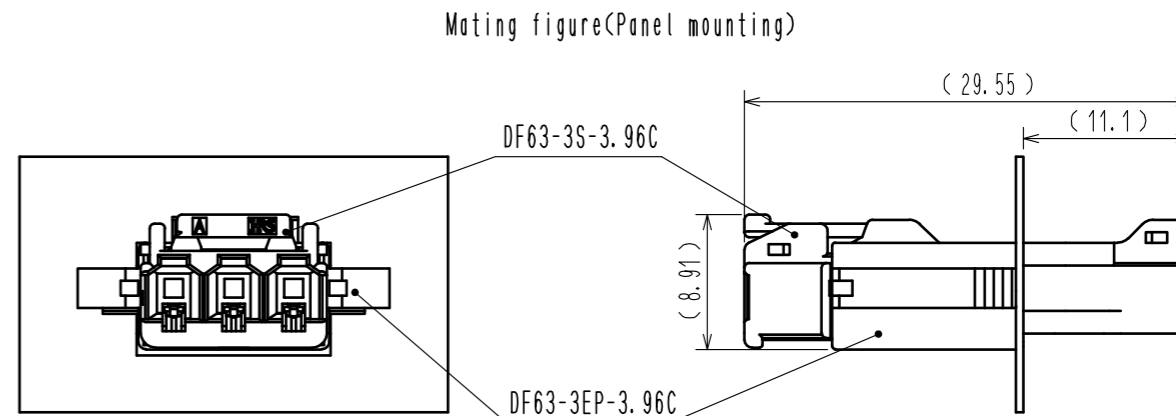
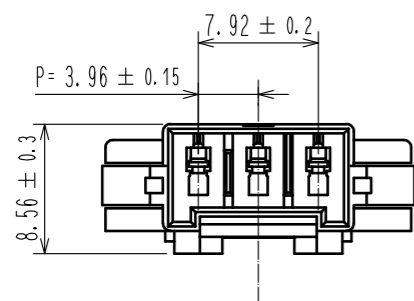
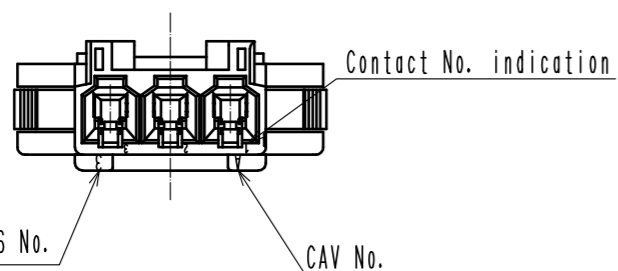


Jun.1.2026 Copyright 2026 HIROSE ELECTRIC CO., LTD. All Rights Reserved.  
In case of consideration for using Automotive equipment / device which demand high reliability, kindly contact our sales window correspondents.



Panel thickness	A
0.5~0.6	16.72
0.7~1.1	17.22
1.2~1.7	17.72
2.0~2.3	18.22

Contact No.1 marking



- 1 Please use non-radius side for the panel hooking area.
- 2 Applicable panel thickening is 2.3 to 0.5 mm.
- 3 Consult Hirose for the other panel cutout designs than recommended one.
- 4. Per pack : 100 pieces.
- 5. The dimensions in parenthesis are for reference.
- 6. UL(File No. E52653)  
C-UL(File No. E52653)  
TUV (Certificate No. R50318850) authorization article.



NO.	MATERIAL	FINISH . REMARKS	NO.	MATERIAL	FINISH . REMARKS		
			1	PBT	UL94V-0(BLACK)		
UNITS	mm	SCALE	COUNT	DESCRIPTION OF REVISIONS	DESIGNED	CHECKED	DATE
		2 : 1	1	DIS-H-00015764	TS. KUMAZAWA	SZ. ONO	20221018
APPROVED : KI. AKIYAMA		20150218	DRAWING NO.		EDC-361252-00-00		
CHECKED : HK. UMEHARA		20150218	PART NO.		DF63-3EP-3.96C		
DESIGNED : YK. YAMAGUCHI		20150218	CODE NO.		CL0680-0532-7-00		
DRAWN : YK. YAMAGUCHI		20150218					