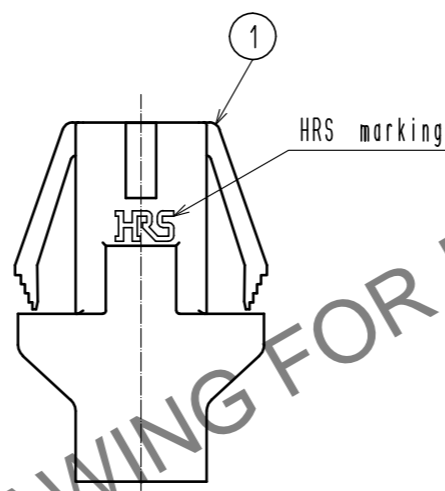
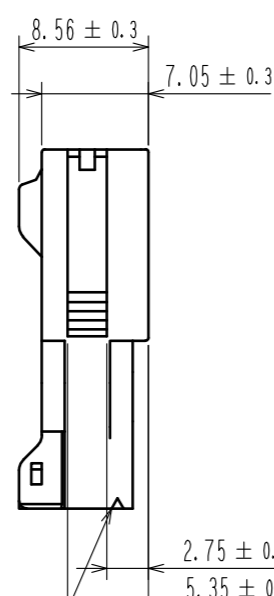
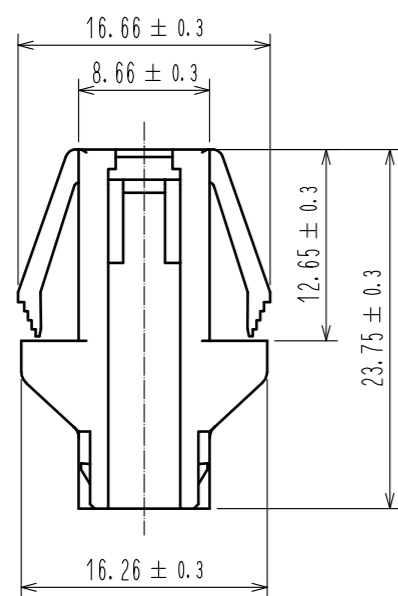
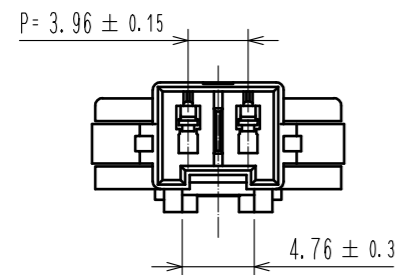
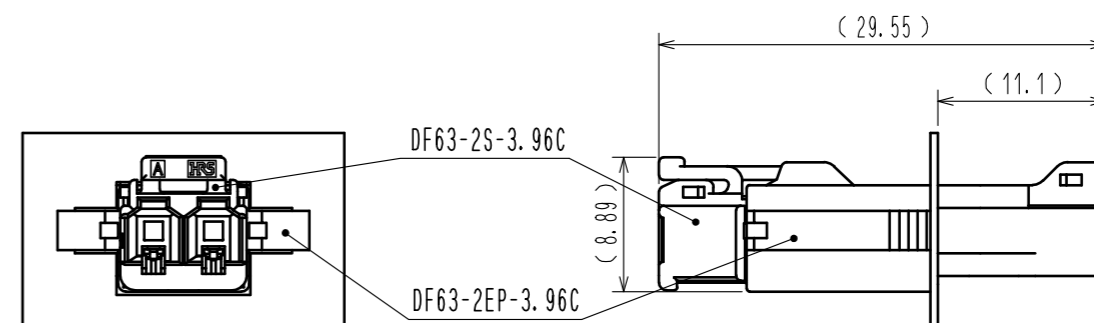


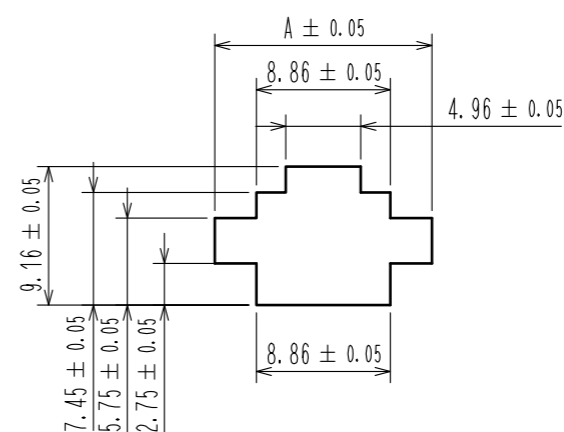
Jun.1.2026 Copyright 2026 HIROSE ELECTRIC CO., LTD. All Rights Reserved.
In case of consideration for using Automotive equipment / device which demand high reliability, kindly contact our sales window correspondents.



Mating figure (Panel mounting)

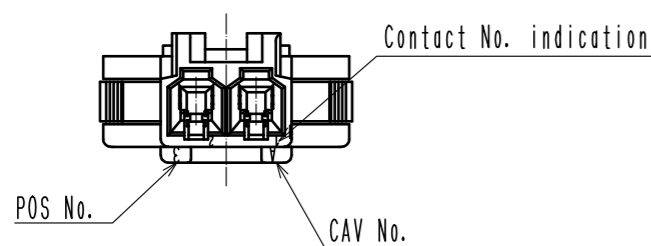


1 Recommended panel cutout dimension



Panel thickness	A
0.5~0.6	12.76
0.7~1.1	13.26
1.2~1.7	13.76
2.0~2.3	14.26

- 1 Please use non-radius side for the panel hooking area.
- 2 Applicable panel thicknessing is 2.3 to 0.5 mm.
- 3 Consult Hirose for the other panel cutout designs than recommended one.
- 4. Per pack : 100 pieces.
- 5. The dimensions in parenthesis are for reference.
- 6. UL (File No. E52653)
C-UL (File No. E52653)
TUV (Certificate No. R50318850) authorization article.



NO.	MATERIAL	FINISH . REMARKS	NO.	MATERIAL	FINISH . REMARKS		
			1	PBT	UL94V-0 (BLACK)		
UNITS	mm	SCALE	COUNT	DESCRIPTION OF REVISIONS	DESIGNED	CHECKED	DATE
		2 : 1	1	DIS-H-00015764	TS. KUMAZAWA	SZ. ONO	20221018
APPROVED : HK. UMEHARA		20150324	DRAWING NO.		EDC-361253-00-00		
CHECKED : HK. UMEHARA		20150324	PART NO.		DF63-2EP-3.96C		
DESIGNED : YK. YAMAGUCHI		20150324	CODE NO.		CL0680-0533-0-00		
DRAWN : YK. YAMAGUCHI		20150324					