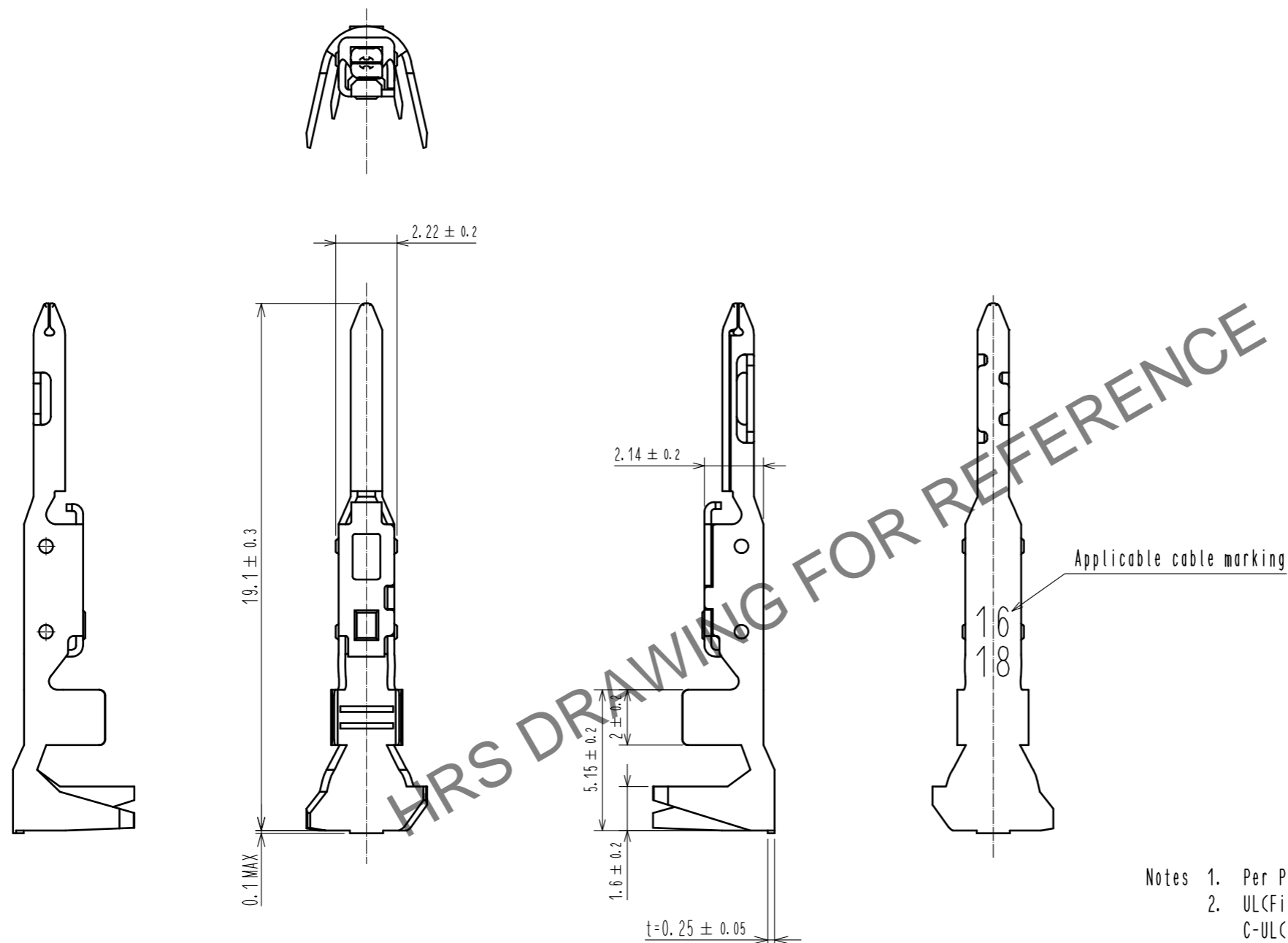


May.1.2026 Copyright 2026 HIROSE ELECTRIC CO., LTD. All Rights Reserved.  
In case of consideration for using Automotive equipment / device which demand high reliability, kindly contact our sales window correspondents.



- Notes
1. Per Pack : 100 Pieces.
  2. UL(File No. E52653)  
C-UL(File No. E52653)  
TUV (Certificate No. R50318850) authorization article.



| NO.                                  | MATERIAL                 | FINISH . REMARKS | NO.                      | MATERIAL        | FINISH . REMARKS             |          |         |      |
|--------------------------------------|--------------------------|------------------|--------------------------|-----------------|------------------------------|----------|---------|------|
|                                      |                          |                  | 1                        | Phosphor bronze | Tin plating : 1μm MIN        |          |         |      |
| UNITS                                | SCALE                    | COUNT            | DESCRIPTION OF REVISIONS |                 |                              | DESIGNED | CHECKED | DATE |
| mm                                   | 5 : 1                    | △                | APPROVED : KI. AKIYAMA   | 15.10.29        | DRAWING NO. EDC-361982-00-00 |          |         |      |
| <b>HRS</b> HIROSE ELECTRIC CO., LTD. | CHECKED : TS. FUKUSHIMA  | 15.10.29         | PART NO. DF63-1618PC     |                 |                              |          |         |      |
|                                      | DESIGNED : YK. YAMAGUCHI | 15.10.29         | CODE NO. CL680-0536-8-00 |                 |                              |          |         |      |
|                                      | DRAWN : MI. SAKIMURA     | 15.10.28         |                          |                 |                              |          |         |      |