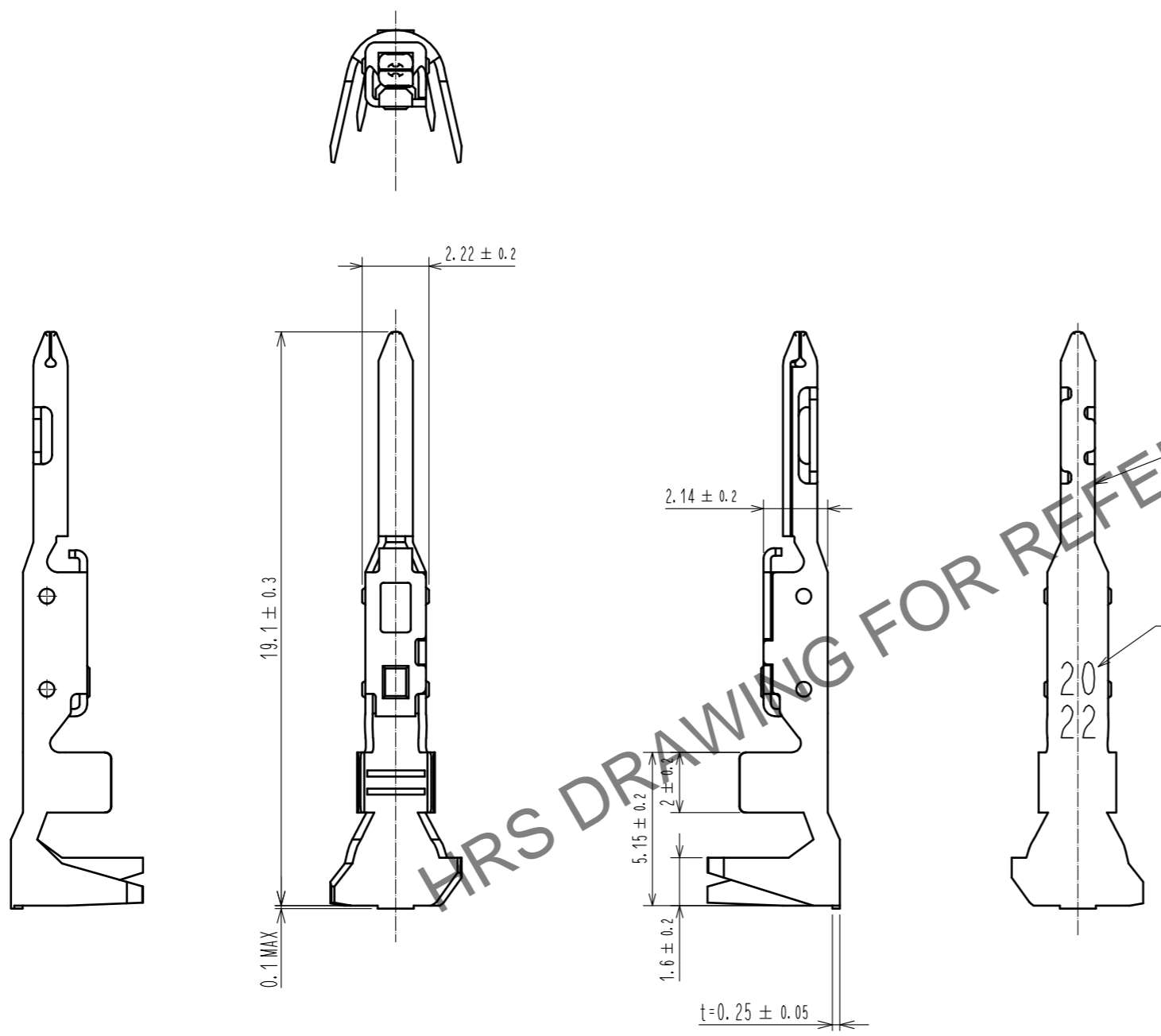


May.1.2026 Copyright 2026 HIROSE ELECTRIC CO., LTD. All Rights Reserved.
 In case of consideration for using Automotive equipment / device which demand high reliability, kindly contact our sales window correspondents.



Notes 1. Per Pack : 100 Pieces.
 2. UL(File No. E52653)
 C-UL(File No. E52653)
 TUV (Certificate No. R50318850) authorization article.



NO.		MATERIAL		FINISH . REMARKS		NO.		MATERIAL		FINISH . REMARKS			
UNITS mm		SCALE 5 : 1		COUNT		DESCRIPTION OF REVISIONS		DESIGNED		CHECKED		DATE	
APPROVED : HS. OKAWA		17. 04. 11		DRAWING NO.		EDC-362152-00-00							
CHECKED : TS. FUKUSHIMA		17. 04. 11		PART NO.		DF63-2022PC							
DESIGNED : YK. YAMAGUCHI		17. 04. 11		CODE NO.		CL680-0539-6-00							
DRAWN : YK. YAMAGUCHI		17. 04. 11		NO.		1/1							