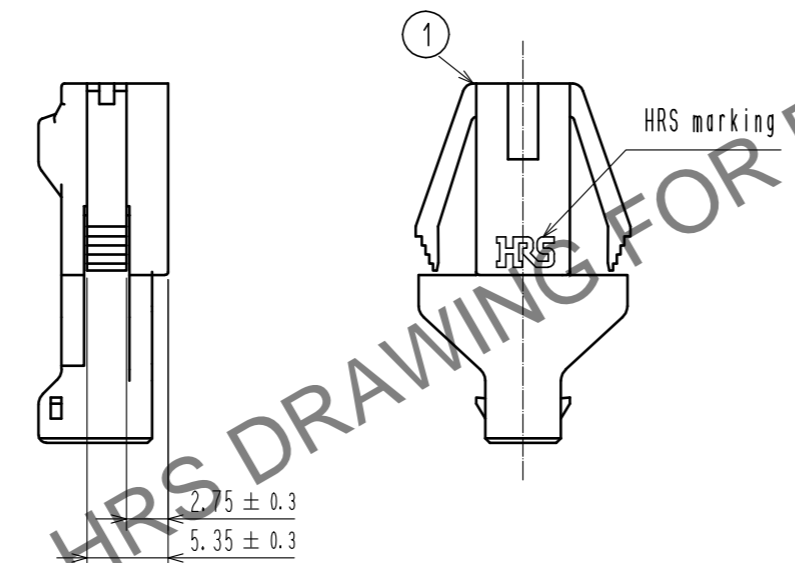
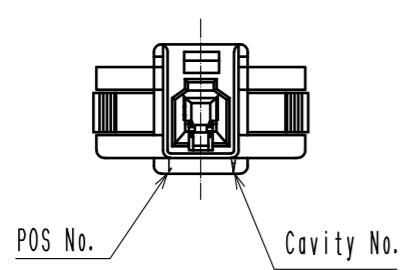
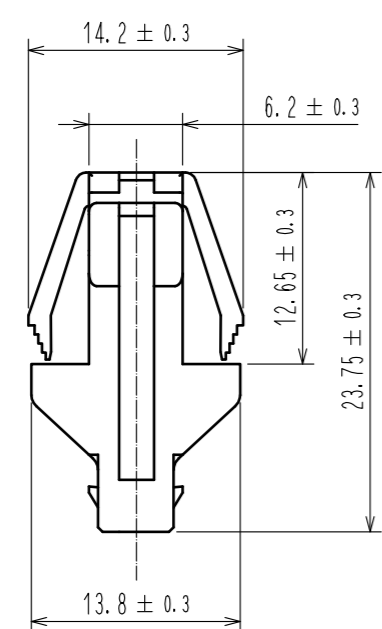
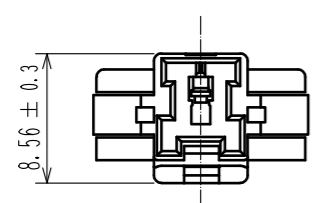
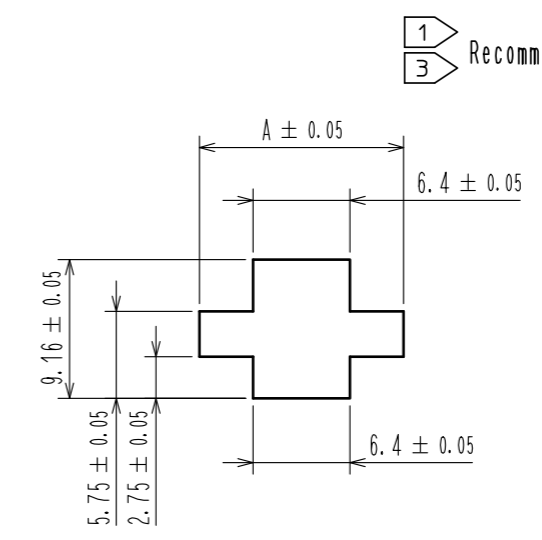
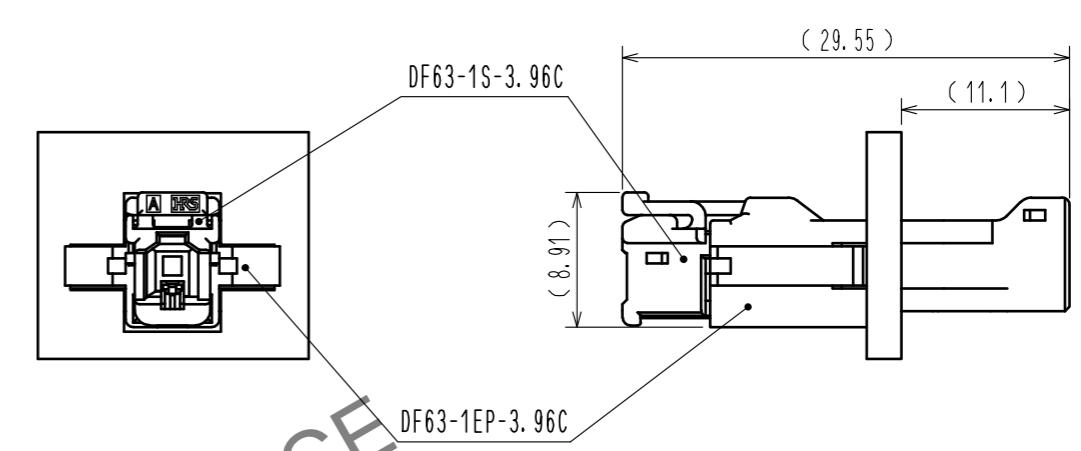


Jun.1.2026 Copyright 2026 HIROSE ELECTRIC CO., LTD. All Rights Reserved.  
In case of consideration for using Automotive equipment / device which demand high reliability, kindly contact our sales window correspondents.



Mating figure (Panel mounting)



Panel thickness	A
0.5~0.6	10.30
0.7~1.1	10.80
1.2~1.7	11.30
2.0~2.3	11.80

- △1 Please use non-radius side for the panel hooking area.
- △2 Applicable panel thicknessing is 2.3 to 0.5mm.
- △3 Consult Hirose for the other panel cutout designs than recommended one.
- △4 Per pack : 100 pieces.
- △5 The dimension in parenthesis are for reference.
- △6 UL (File No. E52653)  
C-UL (File No. E52653)  
TUV (Certificate No. R50318850) authorization article.



NO.	MATERIAL	FINISH	REMARKS	NO.	MATERIAL	FINISH	REMARKS		
				1	PBT		UL94V-0 (BLACK)		
UNITS	mm	SCALE	2 : 1	COUNT	6	DESCRIPTION OF REVISIONS	DESIGNED	CHECKED	DATE
						DIS-H-00004211	TS. KUMAZAWA	SZ. ONO	18.09.14
APPROVED : HS. OKAWA		17.03.27		DRAWING NO.		EDC-365617-00-00			
CHECKED : TS. FUKUSHIMA		17.03.27		PART NO.		DF63-1EP-3.96C			
DESIGNED : YK. YAMAGUCHI		17.03.27		CODE NO.		CL680-0551-0-00			
DRAWN : YK. YAMAGUCHI		17.03.27							