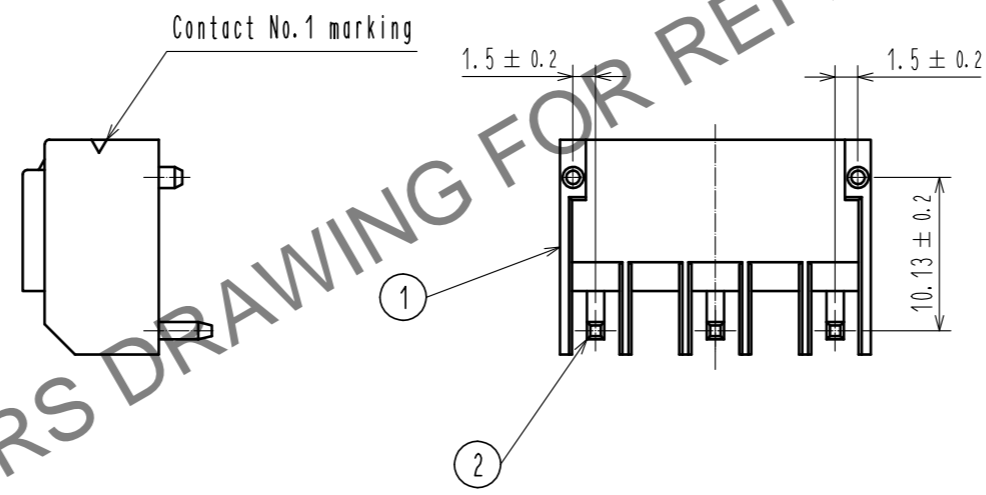
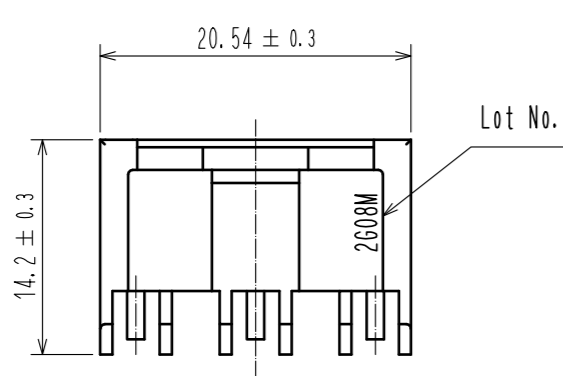
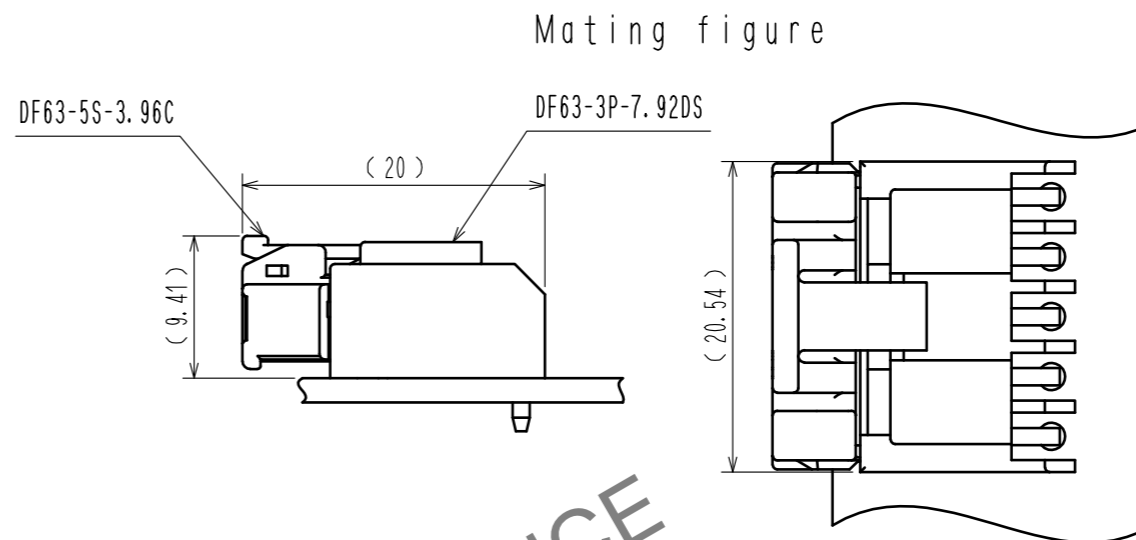
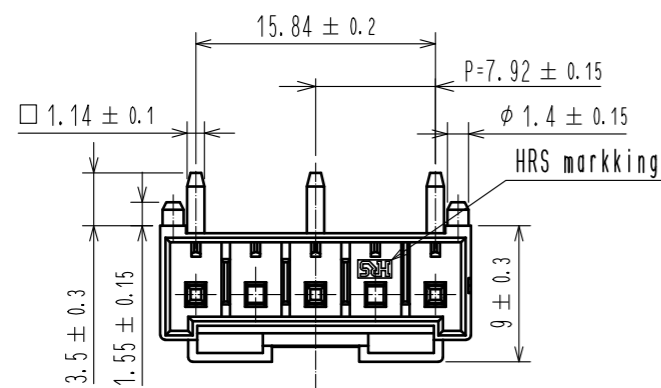
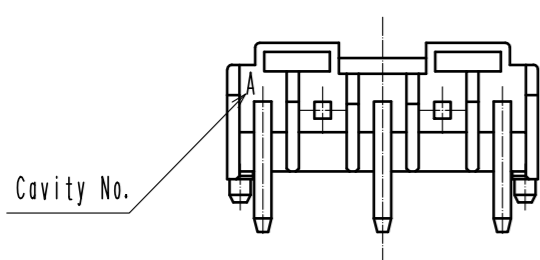
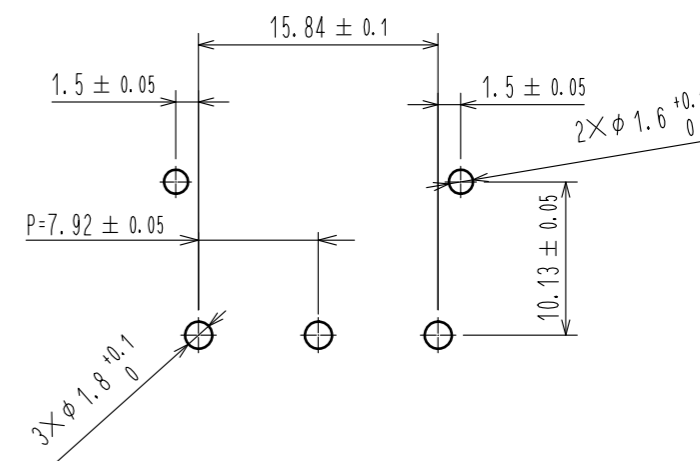


Jun.1.2026 Copyright 2026 HIROSE ELECTRIC CO., LTD. All Rights Reserved.
In case of consideration for using Automotive equipment / device which demand high reliability, kindly contact our sales window correspondents.



Recommended pattern(FREE)
(Recommended board thickness t=1.6mm)



NOTE. 1. Per Pack : 100 Pieces.
2. The dimension in parenthesis are for reference.
3. UL(File No. E52653)
C-UL(File No. E52653)
TUV (Certificate No. R50318850) authorization article.



1	PBT	UL94V-0(BLACK)	2	Brass	Tin plating 1μm MIN
NO.	MATERIAL	FINISH . REMARKS	NO.	MATERIAL	FINISH . REMARKS
UNITS mm		SCALE 2 : 1	COUNT 1	DESCRIPTION OF REVISIONS DIS-H-00004209	DESIGNED TS. KUMAZAWA
APPROVED : HS. OKAWA		16.07.13		DRAWING NO. EDC-365877-00-00	
CHECKED : TS. FUKUSHIMA		16.07.13		PART NO. DF63-3P-7.92DS	
DESIGNED : YK. YAMAGUCHI		16.07.12		CODE NO. CL680-0559-0-00	
DRAWN : MI. SAKIMURA		16.07.12		1/1	