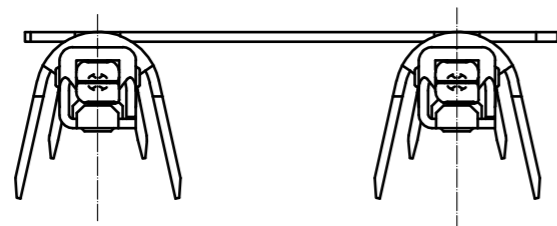
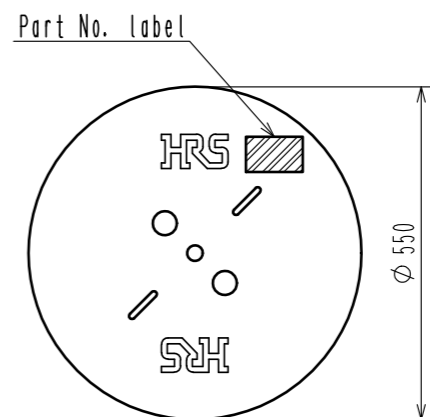


May.1.2026 Copyright 2026 HIROSE ELECTRIC CO., LTD. All Rights Reserved.
In case of consideration for using Automotive equipment / device which demand high reliability, kindly contact our sales window correspondents.

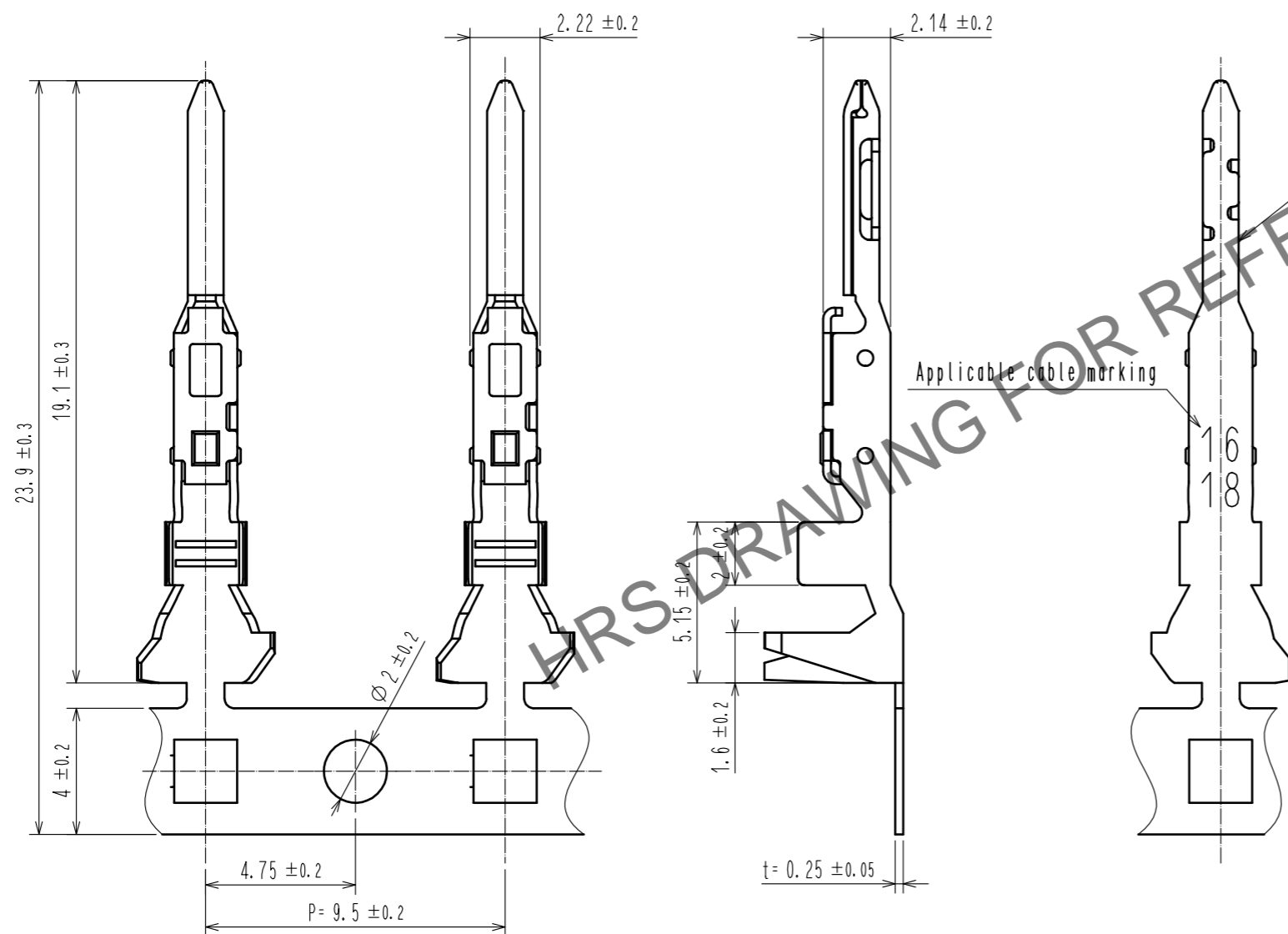


2 Reel style and dimensions



Detail of part No. label

HRS		Inspection
Code No.	CL680-0636-0	
Part No.	DF63-1618PCFA	
Quantity	4000	
Specification		
Lot No.		
Section		



- Notes
- 1RL : 4000 contacts.
 - 2 Style of reel and box are shown in figure.
 - Up to 4 reels are packed up in one box.
 - Please be sure to check the form of crimping using a cable when you adjust applicator.
 - UL (File No. E52653)
C-UL (File No. E52653)
TUV (Certificate No. R50318850) authorization article.



1	Copper alloy	Contact area : Gold plating 0.2μm MIN Carrier and barrel area : Tin plating 1μm MIN Others : Nickel plating 1μm MIN
---	--------------	---

NO.	MATERIAL	FINISH . REMARKS	NO.	MATERIAL	FINISH . REMARKS											
UNITS mm		SCALE 5 : 1	COUNT 	DESCRIPTION OF REVISIONS												
<table border="1"> <tr> <td>DESIGNED</td> <td>CHECKED</td> <td>DATE</td> </tr> </table>			DESIGNED	CHECKED	DATE	<table border="1"> <tr> <td>DRAWING NO.</td> <td>EDC-382872-00-00</td> </tr> <tr> <td>PART NO.</td> <td>DF63-1618PCFA</td> </tr> <tr> <td>CODE NO.</td> <td>CL0680-0636-0-00</td> </tr> </table>			DRAWING NO.	EDC-382872-00-00	PART NO.	DF63-1618PCFA	CODE NO.	CL0680-0636-0-00		
DESIGNED	CHECKED	DATE														
DRAWING NO.	EDC-382872-00-00															
PART NO.	DF63-1618PCFA															
CODE NO.	CL0680-0636-0-00															
<table border="1"> <tr> <td>APPROVED : SJ. OKAMURA</td> <td>20210730</td> </tr> <tr> <td>CHECKED : SZ. ONO</td> <td>20210730</td> </tr> <tr> <td>DESIGNED : TS. KUMAZAWA</td> <td>20210730</td> </tr> <tr> <td>DRAWN : YK. MITSUISHI</td> <td>20210730</td> </tr> </table>			APPROVED : SJ. OKAMURA	20210730	CHECKED : SZ. ONO	20210730	DESIGNED : TS. KUMAZAWA	20210730	DRAWN : YK. MITSUISHI	20210730	<table border="1"> <tr> <td>DESIGNED</td> <td>CHECKED</td> <td>DATE</td> </tr> </table>			DESIGNED	CHECKED	DATE
APPROVED : SJ. OKAMURA	20210730															
CHECKED : SZ. ONO	20210730															
DESIGNED : TS. KUMAZAWA	20210730															
DRAWN : YK. MITSUISHI	20210730															
DESIGNED	CHECKED	DATE														