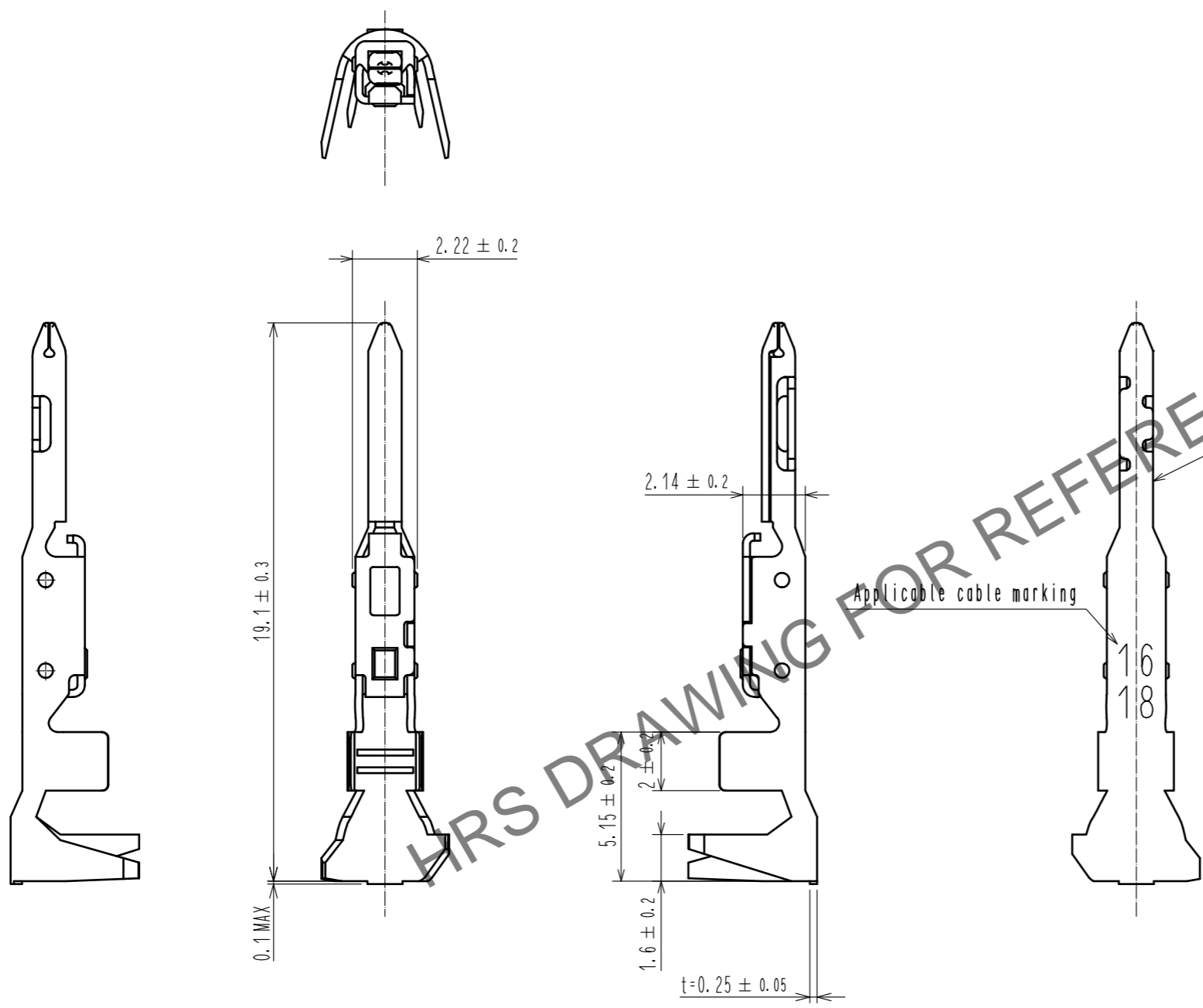


Jun.1.2026 Copyright 2026 HIROSE ELECTRIC CO., LTD. All Rights Reserved.
 In case of consideration for using Automotive equipment / device which demand high reliability, kindly contact our sales window correspondents.



Notes 1. Per Pack : 100 Pieces.
 2. UL(File No. E52653)
 C-UL(File No. E52653)
 TUV (Certificate No. R50244085) authorization article.



NO.		MATERIAL		FINISH . REMARKS		NO.		MATERIAL		FINISH . REMARKS	
		1		Copper alloy						Contact area : Gold plating 0.2μm MIN Barrel area : Tin plating 1μm MIN Others : Nickel plating 1μm MIN	
UNITS		SCALE	COUNT	DESCRIPTION OF REVISIONS				DESIGNED	CHECKED	DATE	
mm		5 : 1									
HRS HIROSE ELECTRIC CO., LTD.		APPROVED : SJ. OKAMURA	20210730	DRAWING NO. EDC-382873-00-00							
		CHECKED : SZ. ONO	20210730	PART NO. DF63-1618PCA							
		DESIGNED : TS. KUMAZAWA	20210730	CODE NO. CL0680-0637-0-00							
		DRAWN : YK. MITSUISHI	20210730								