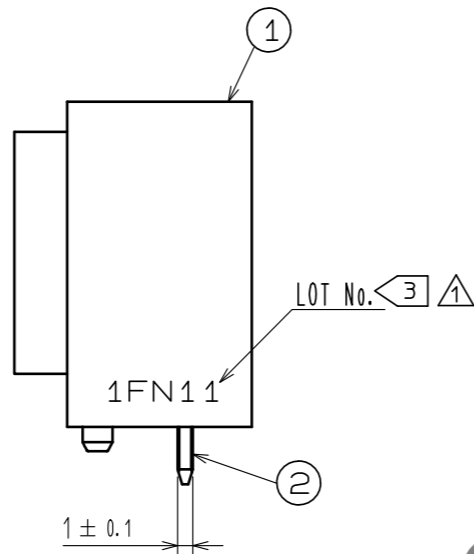
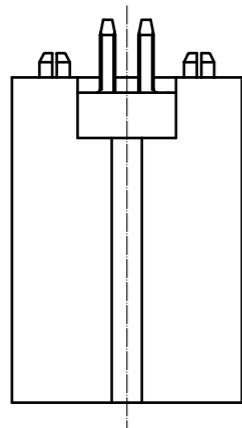
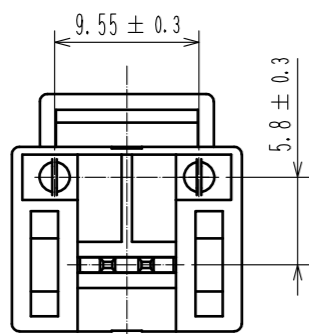
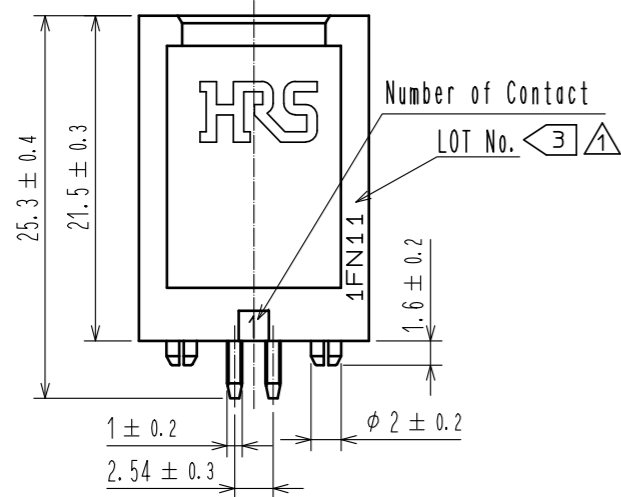
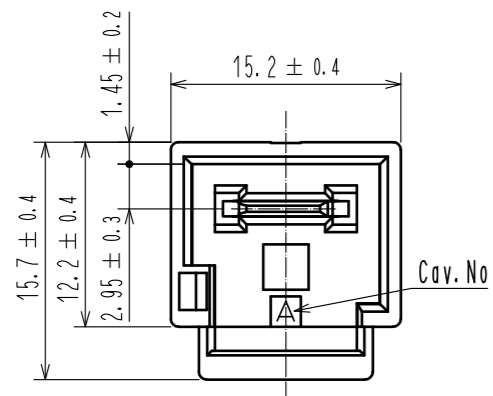
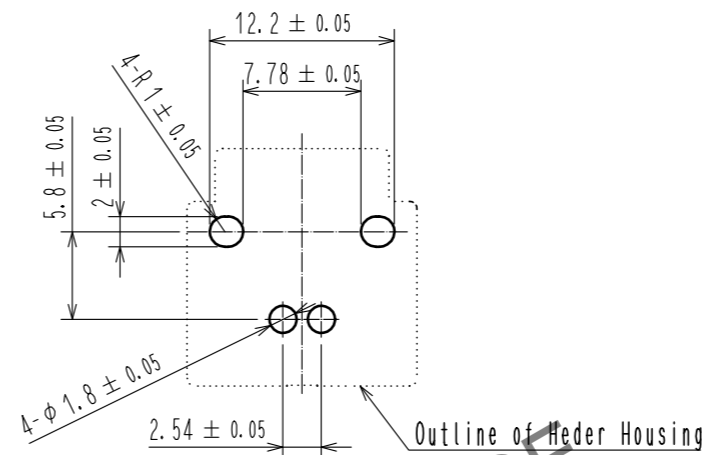


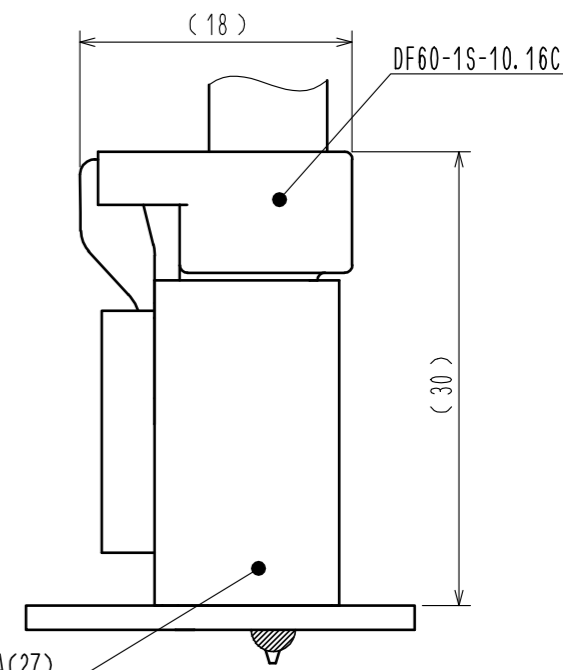
Jun.1.2024 Copyright 2024 HIROSE ELECTRIC CO., LTD. All Rights Reserved.
In case of consideration for using Automotive equipment / device which demand high reliability, kindly contact our sales window correspondents.



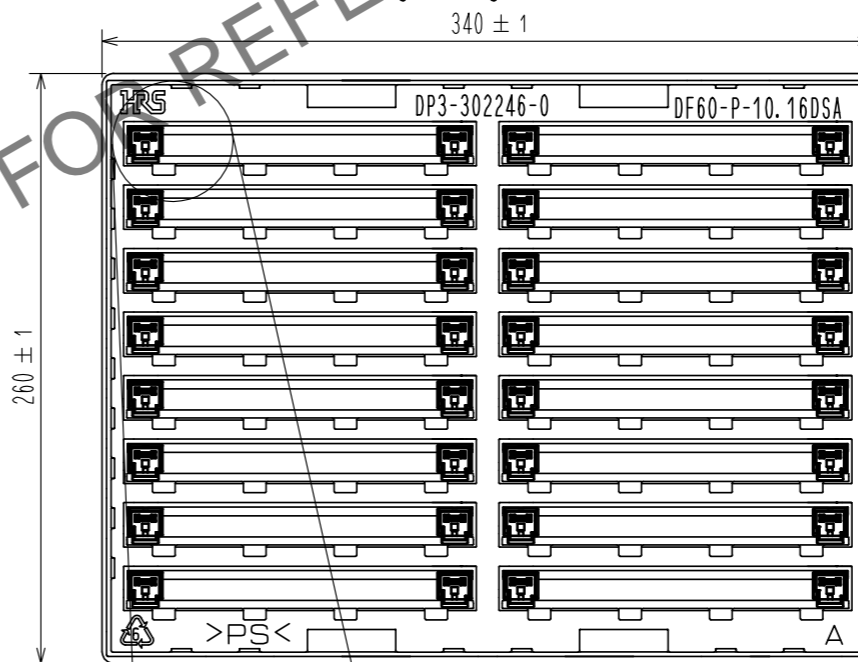
Recommended PCB Layout
(Board thickness: t=1.6±0.1mm)



Application Diagram



Packing Diagram (FREEE)



- Notes 1. Per tray : 160 Pieces.
2. UL(File No. E52653)
C-UL(File No. E52653)
TUV (Certificate No. R50244085) authorization article.



<1> <3> Lot No. is displayed in one of the two locations.

1	PBT	Black, UL94-V0	3	PS	Clear		
2	Copper Alloy		2	Copper Alloy	Contact Area : Au Plating 0.2μm min LEAD Area : Tin Plating 1μm min Under Plating : Ni Plating 1μm min		
NO.	MATERIAL	FINISH . REMARKS	NO.	MATERIAL	FINISH . REMARKS		
UNITS mm		SCALE 2 : 1	COUNT 3	DESCRIPTION OF REVISIONS DIS-H-00012301	DESIGNED TS.MIYAKI	CHECKED SZ.ONO	DATE 20220217
HRS HIROSE ELECTRIC CO., LTD.		APPROVED : KI. AKIYAMA 20160407	DRAWING NO. EDC-338973-27-00				
		CHECED : TS. FUKUSHIMA 20160407	PART NO. DF60-1P-10.16DSA(27)				
		DESIGNED : TS. KUMAZAWA 20160407	CODE NO. CL0680-3004-5-27				
		DRAWN : TS. KUMAZAWA 20160407					