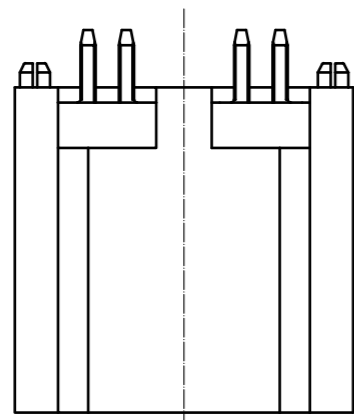
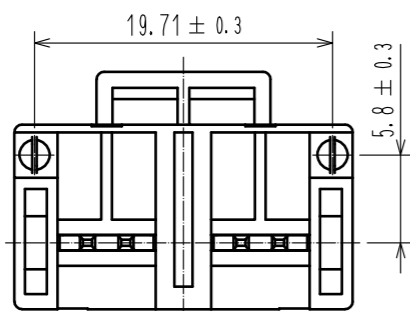
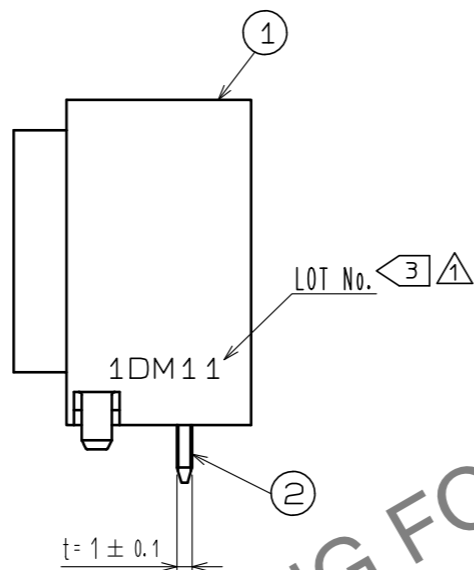
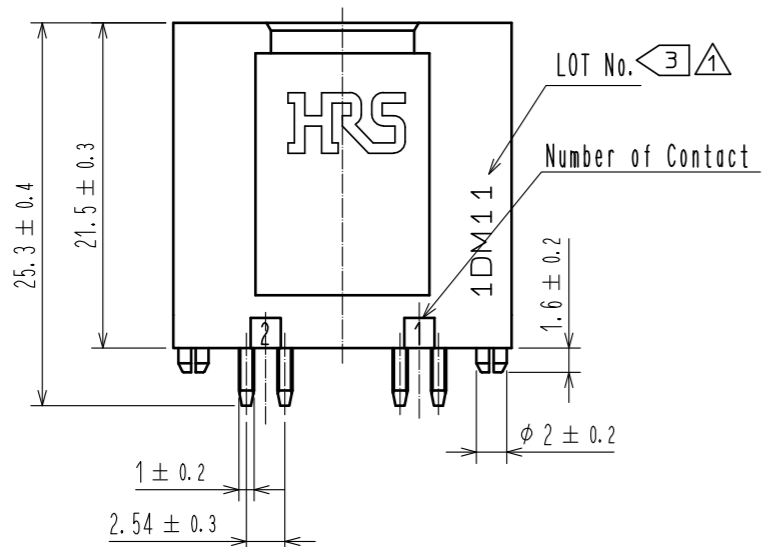
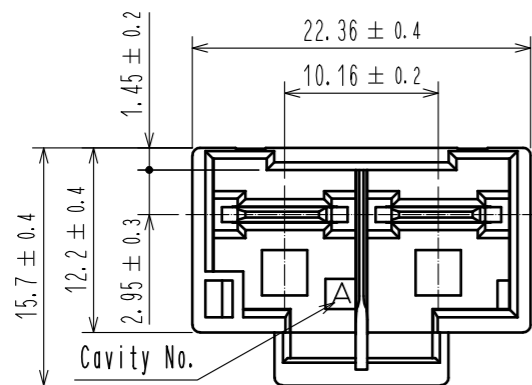


Jun.1.2024 Copyright 2024 HIROSE ELECTRIC CO., LTD. All Rights Reserved.
 In case of consideration for using Automotive equipment / device which demand high reliability, kindly contact our sales window correspondents.

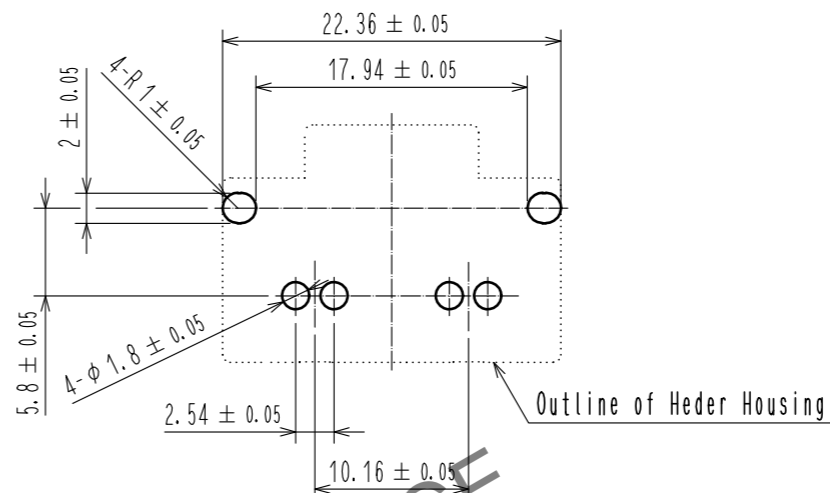


Notes 1. Per tray : 96 Pieces.
 2. UL(File No. E52653)
 C-UL(File No. E52653)
 TUV (Certificate No. R50244085) authorization article.

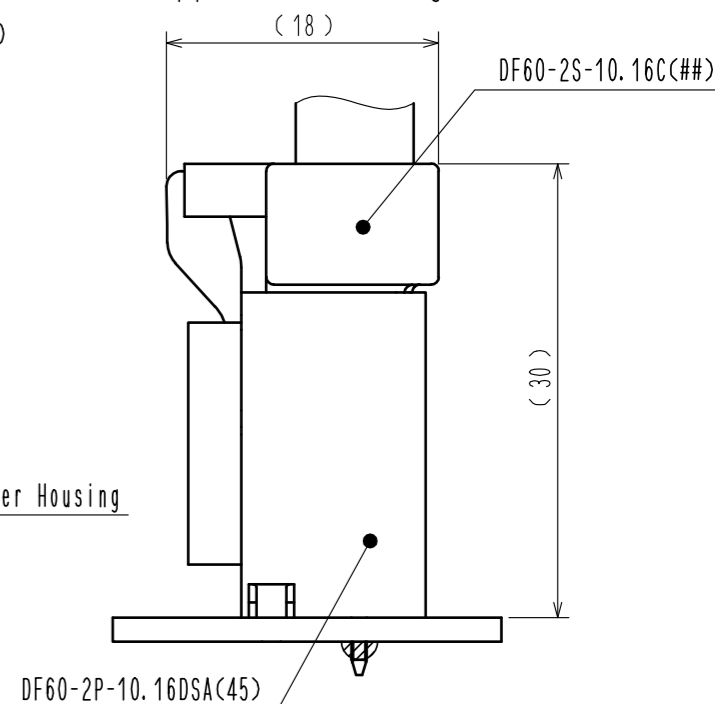


Lot No. is displayed in one of the two locations.

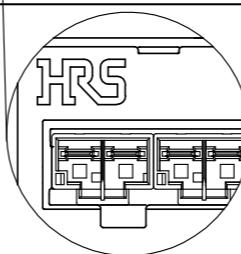
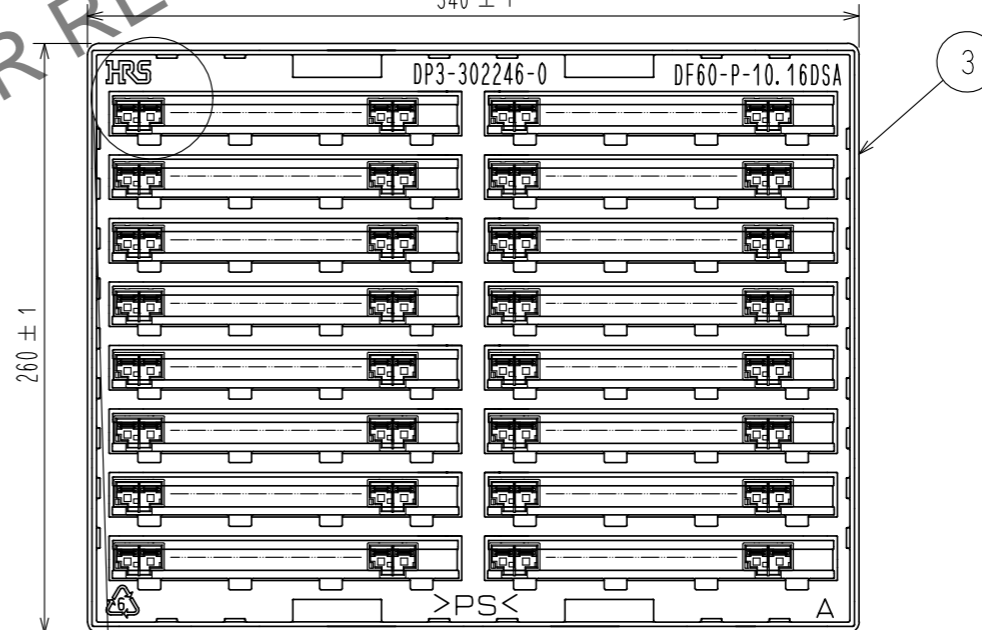
Recommended PCB Layout
 (Board thickness: t=1.6±0.1mm)



Application Diagram



Packing Diagram (FREE)
 340 ± 1



1	PBT	Red. UL94-V0	3	PS	Clear
NO.	MATERIAL	FINISH . REMARKS	NO.	MATERIAL	FINISH . REMARKS
UNITS mm		SCALE 2 : 1	COUNT 3	DESCRIPTION OF REVISIONS DIS-H-00011936	DESIGNED TS.MIYAKI
HIROSE ELECTRIC CO., LTD.		APPROVED : KI. AKIYAMA 20151128	DRAWING NO. EDC-338974-45-00		
		CHECED : TS. FUKUSHIMA 20151128	PART NO. DF60-2P-10.16DSA(45)		
		DESIGNED : TS. KUMAZAWA 20151128	CODE NO. CL0680-3005-8-45		
		DRAWN : TS. KUMAZAWA 20151128	1/1		
			DESIGNED	CHECKED	DATE
			TS.MIYAKI	SZ.ONO	20220125