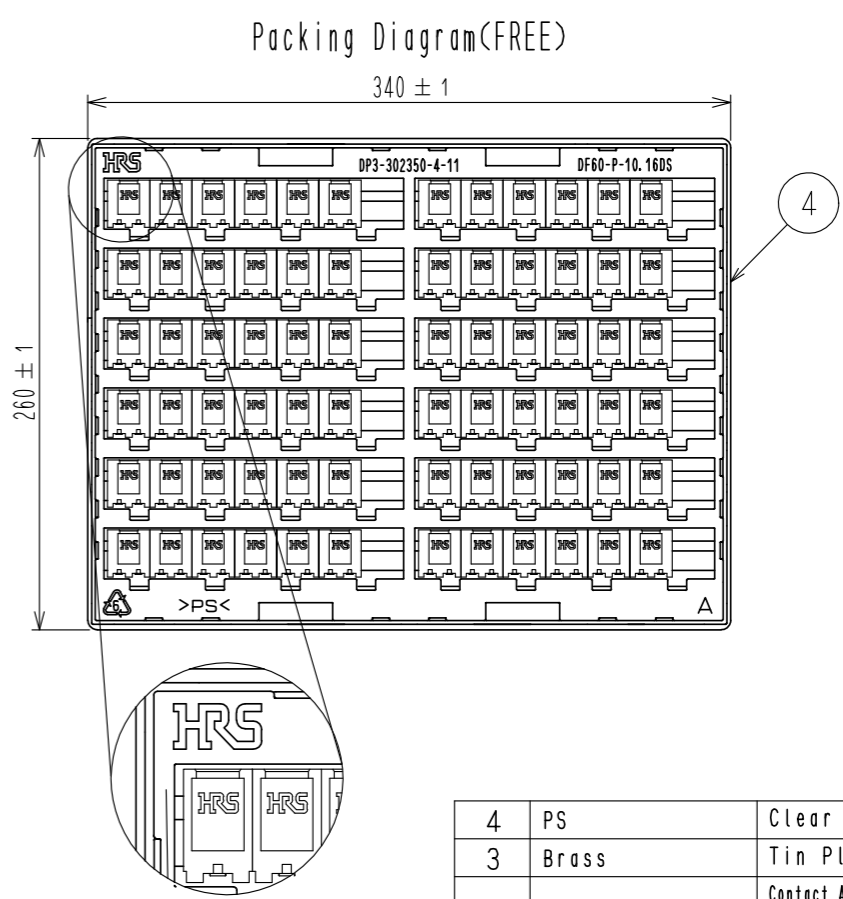
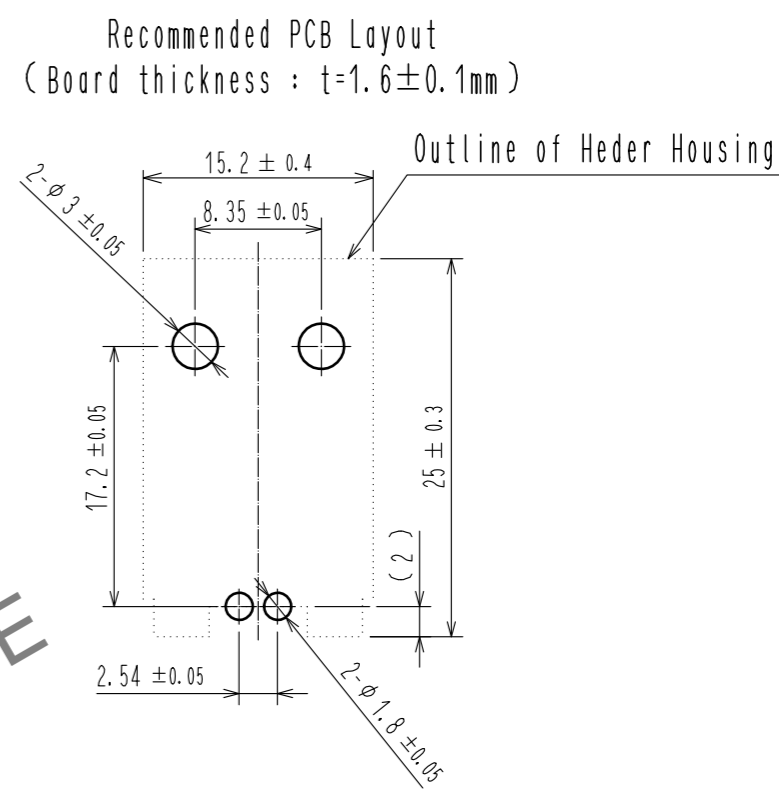
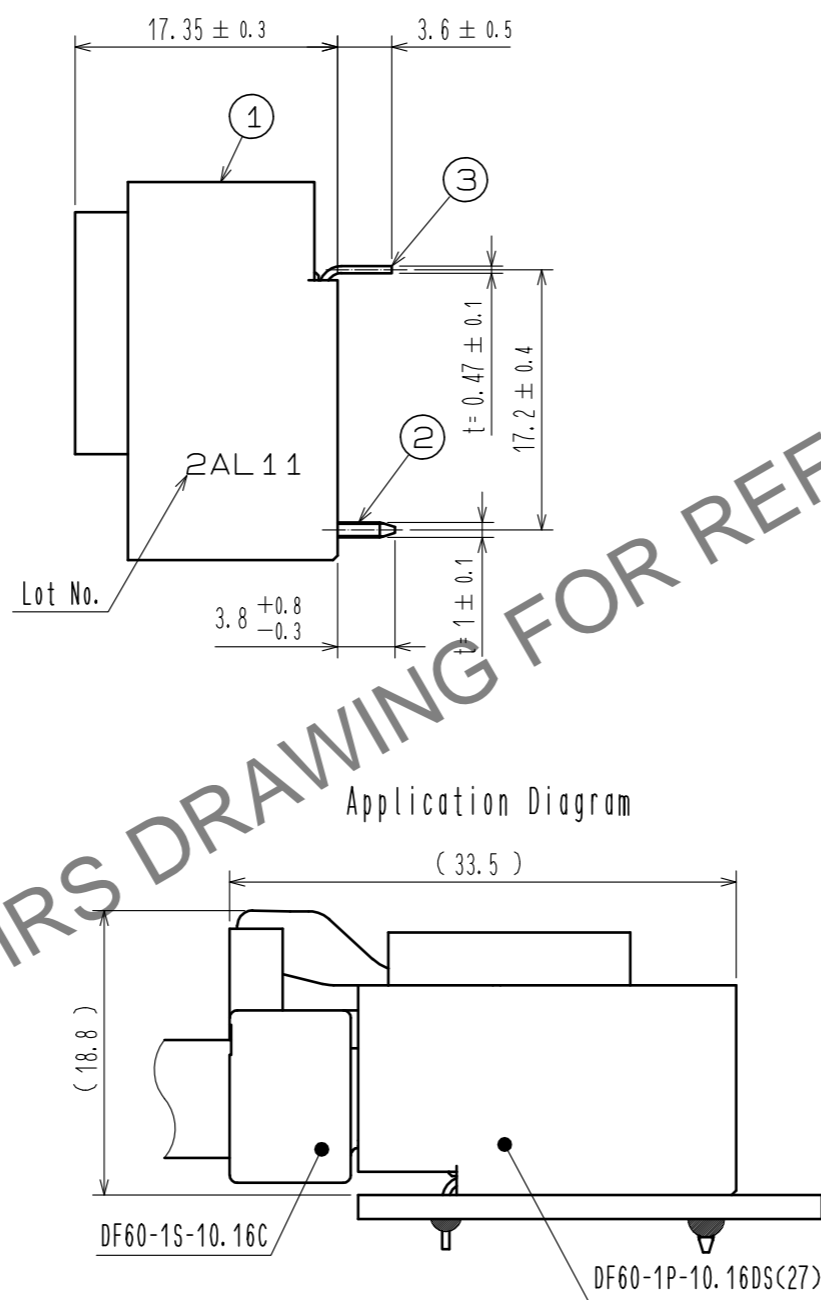
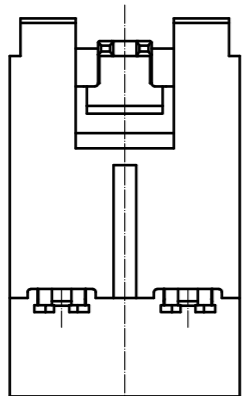
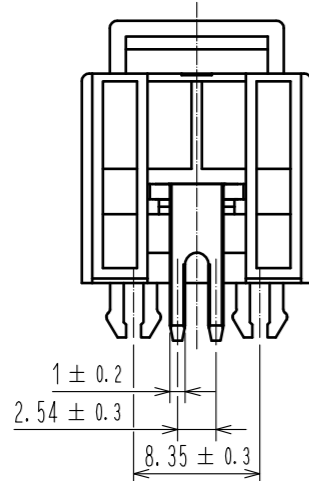
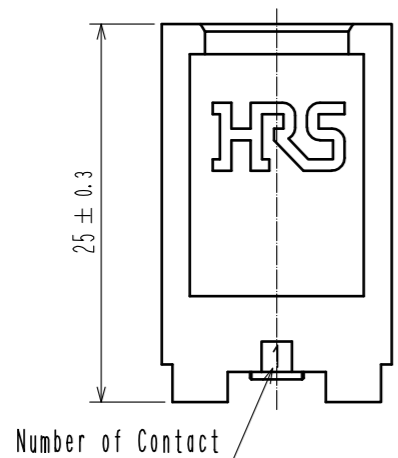
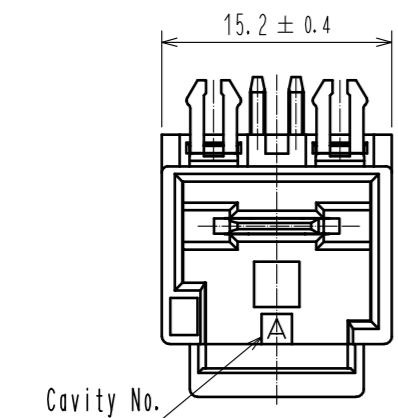


Jun.1.2024 Copyright 2024 HIROSE ELECTRIC CO., LTD. All Rights Reserved.  
In case of consideration for using Automotive equipment / device which demand high reliability, kindly contact our sales window correspondents.



- Notes 1. Per tray : 120 Pieces.  
2. UL(File No. E52653)  
C-UL(File No. E52653)  
TUV (Certificate No. R50244085) authorization article.



1	PBT	BLACK, UL94-V0	4	PS	Clear
NO.	MATERIAL	FINISH, REMARKS	NO.	MATERIAL	FINISH, REMARKS
UNITS mm		SCALE 2 : 1	COUNT	DESIGNED	CHECKED
		DESCRIPTION OF REVISIONS	DATE		
<b>HRS</b>	HIROSE ELECTRIC CO., LTD.	APPROVED : KI. AKIYAMA 16.04.05	DRAWING NO.	EDC-342143-27-00	
		CHECKED : TS. FUKUSHIMA 16.04.05	PART NO.	DF60-1P-10.16DS(27)	
		DESIGNED : TS. KUMAZAWA 16.04.05	CODE NO.	CL680-3015-1-27	
		DRAWN : TS. KUMAZAWA 16.04.05			