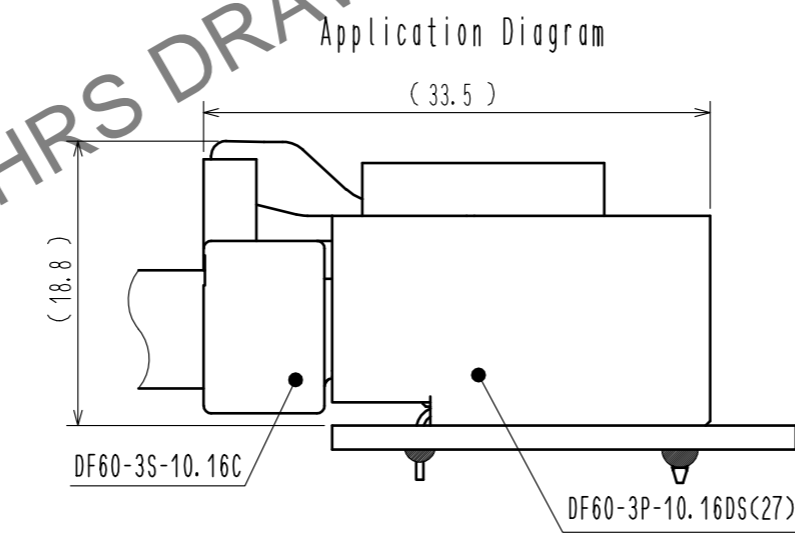
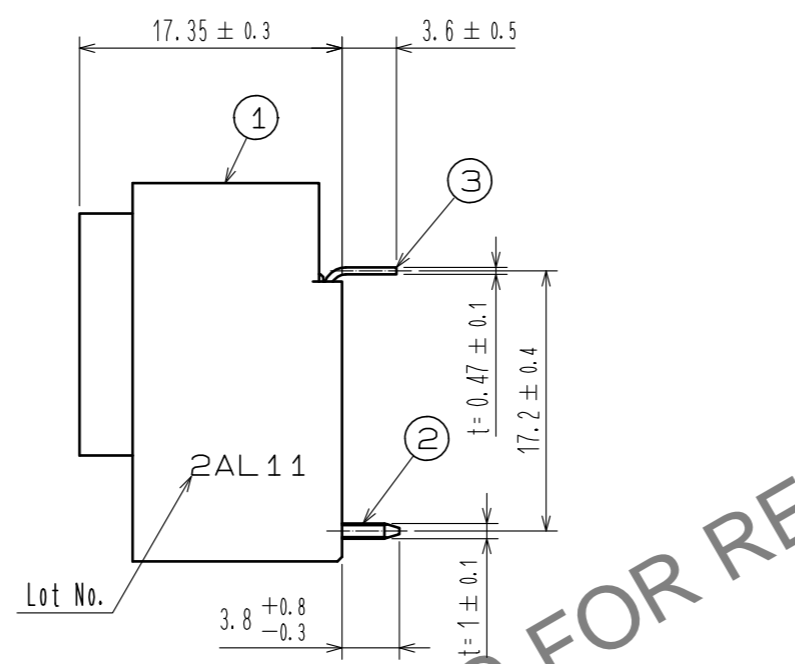
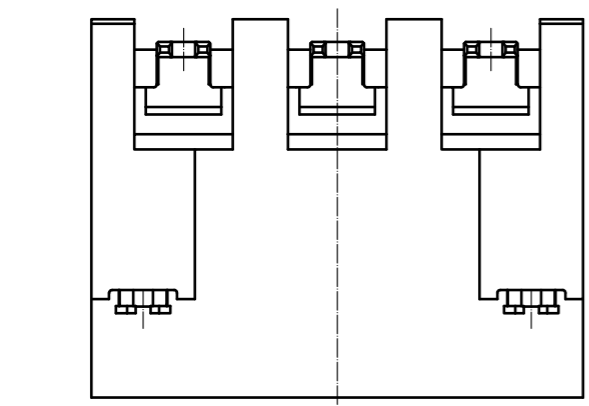
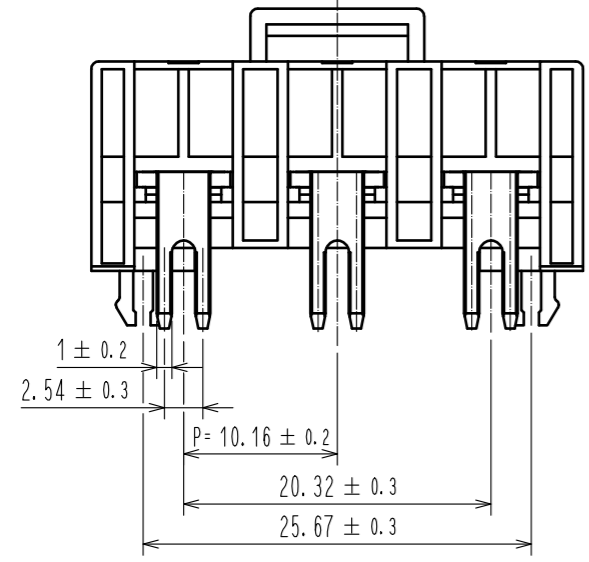
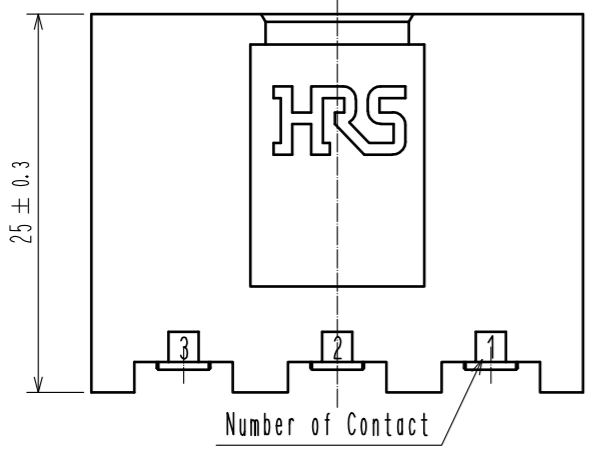
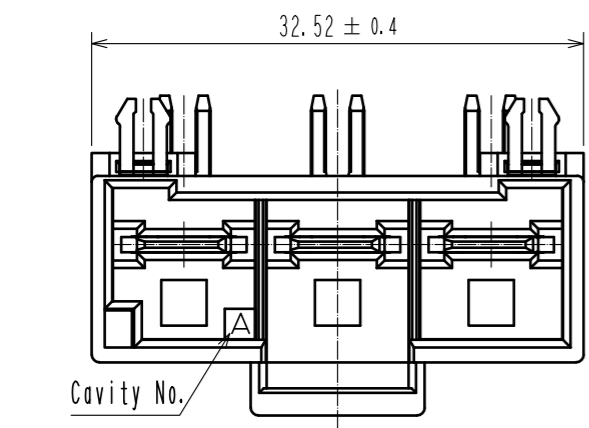
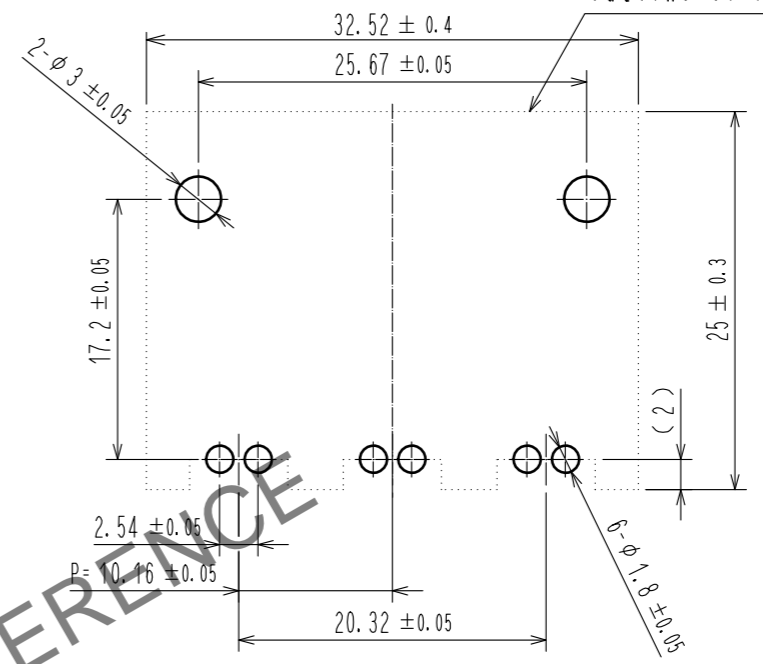


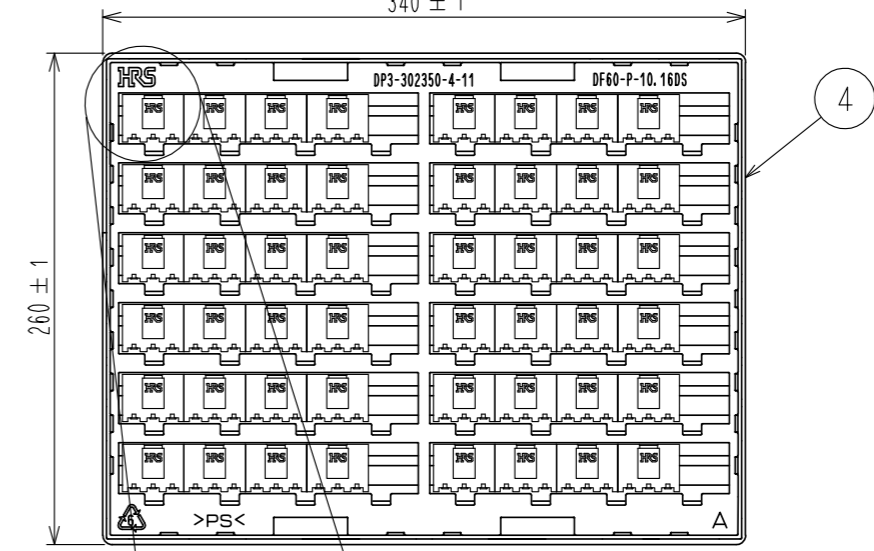
Jun.1.2024 Copyright 2024 HIROSE ELECTRIC CO., LTD. All Rights Reserved.
 In case of consideration for using Automotive equipment / device which demand high reliability, kindly contact our sales window correspondents.



Recommended PCB Layout
 (Board thickness : t=1.6±0.1mm)
 Outline of Heder Housing



Packing Diagram(FREE)
 340 ± 1



HRS DRAWING FOR REFERENCE

Notes 1. Per tray : 48 Pieces.
 2. UL(File No. E52653)
 C-UL(File No. E52653)
 TUV (Certificate No. R50244085) authorization article.



4	PS	Clear
3	Brass	Tin Plating 1μm min
2	Copper Alloy	Contact Area : Au Plating 0.2μm min
		Lead area : Tin Plating 1μm min
		Under Plating : Ni Plating 1μm min

1	PBT	BLACK, UL94-V0						
NO.	MATERIAL	FINISH	REMARKS	NO.	MATERIAL	FINISH	REMARKS	
UNITS	mm	SCALE	2 : 1	COUNT	DESCRIPTION OF REVISIONS	DESIGNED	CHECKED	DATE
					APPROVED : KI. AKIYAMA	16.04.05		
					CHECKED : TS. FUKUSHIMA	16.04.05		
					DESIGNED : TS. KUMAZAWA	16.04.05		
					DRAWN : TS. KUMAZAWA	16.04.05		
HIROSE ELECTRIC CO., LTD.				DRAWING NO. EDC-342145-27-00 PART NO. DF60-3P-10.16DS(27) CODE NO. CL680-3017-7-27		1/1		