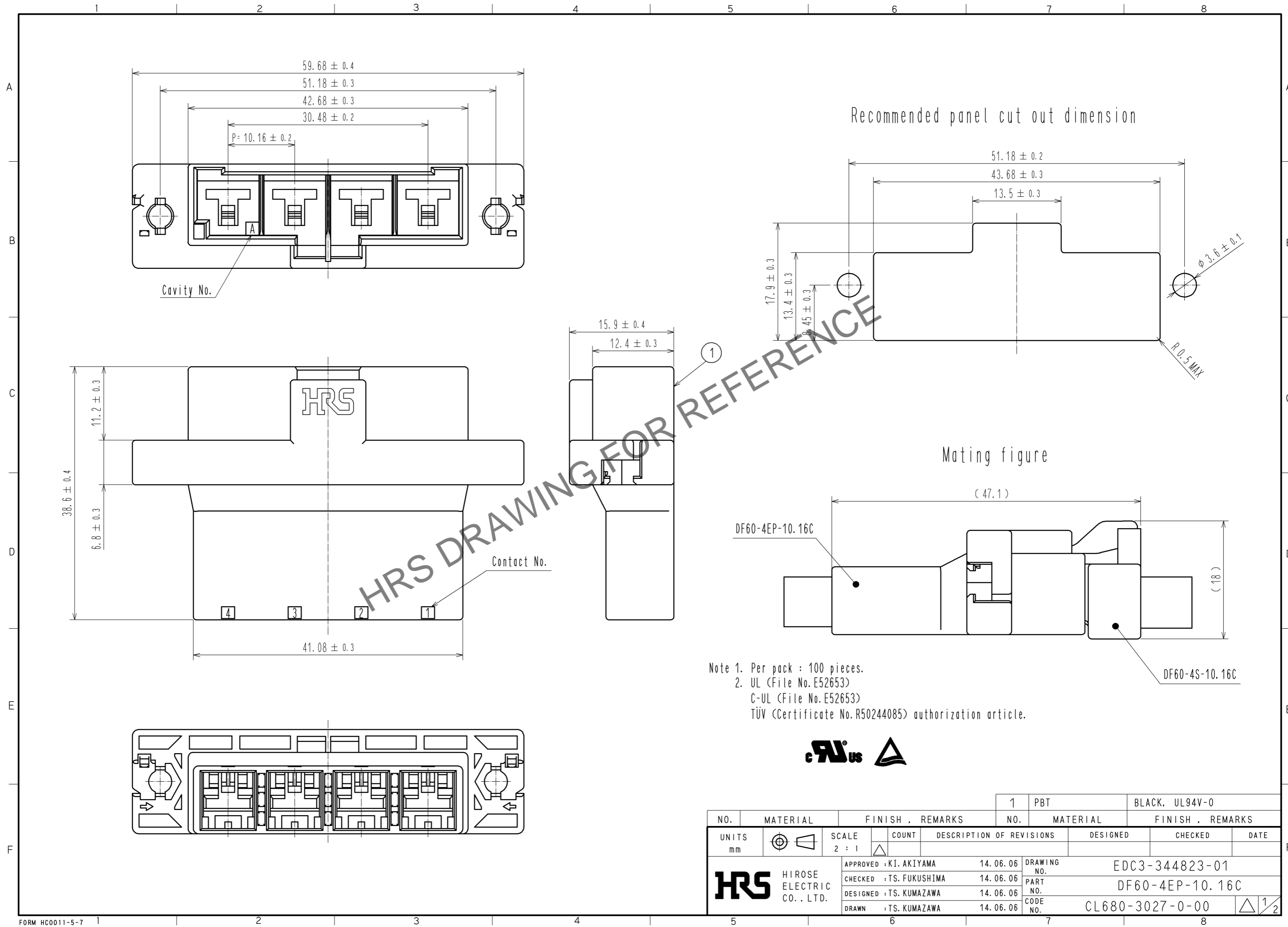


Aug.1.2024 Copyright 2024 HIROSE ELECTRIC CO., LTD. All Rights Reserved.  
In case of consideration for using Automotive equipment / device which demand high reliability, kindly contact our sales window correspondents.



Note 1. Per pack : 100 pieces.  
2. UL (File No. E52653)  
C-UL (File No. E52653)  
TÜV (Certificate No. R50244085) authorization article.

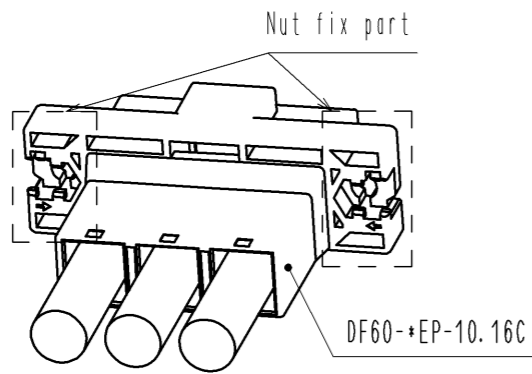


| NO.                     | MATERIAL | FINISH . REMARKS | NO.   | MATERIAL                   | FINISH . REMARKS         |
|-------------------------|----------|------------------|-------|----------------------------|--------------------------|
|                         |          |                  | 1     | PBT                        | BLACK, UL94V-0           |
| UNITS                   | mm       | SCALE            | 2 : 1 | COUNT                      | DESCRIPTION OF REVISIONS |
| APPROVED : KI. AKIYAMA  |          | 14.06.06         |       | DRAWING NO. EDC3-344823-01 |                          |
| CHECKED : TS. FUKUSHIMA |          | 14.06.06         |       | PART NO. DF60-4EP-10.16C   |                          |
| DESIGNED : TS. KUMAZAWA |          | 14.06.06         |       | CODE NO. CL680-3027-0-00   |                          |
| DRAWN : TS. KUMAZAWA    |          | 14.06.06         |       | DATE                       |                          |

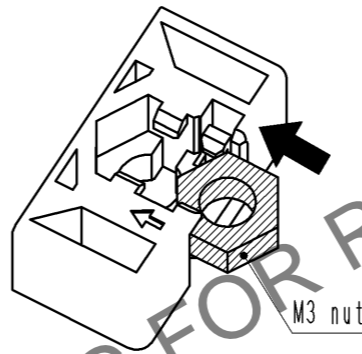
Aug.1.2024 Copyright 2024 HIROSE ELECTRIC CO., LTD. All Rights Reserved.  
In case of consideration for using Automotive equipment / device which demand high reliability, kindly contact our sales window correspondents.

# DF60 In-Line type recommended panel mounting manual (When nuts uses)

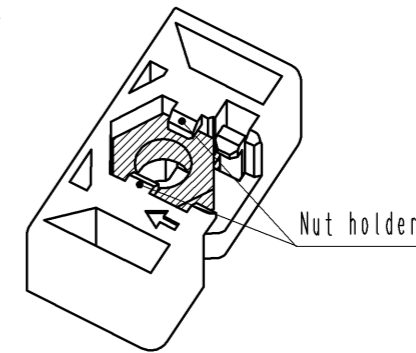
## Nut installation process



1. Slide a nut (Size:M3) to nut fix part.

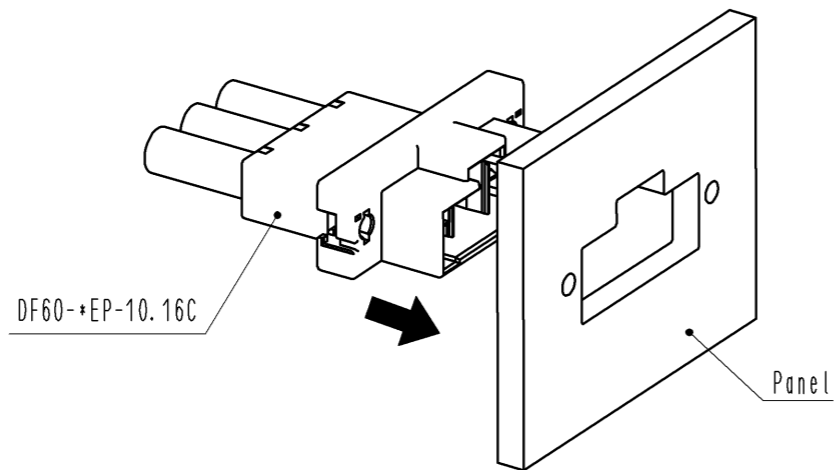


2. Press down the nut until it clicks, then this sound means the nut has inserted into nut holder.

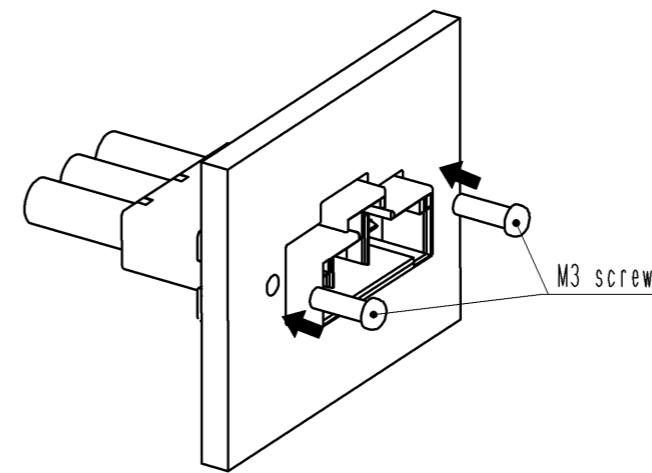


## Panel mounting process

1. Insert connector into panel cut out part.



2. Tighten a screw (Size:M3) to fix with panel.  
recommended torque : less than 49N · cm



|            |             |                 |
|------------|-------------|-----------------|
| <b>HRS</b> | DRAWING NO. | EDC3-344823-01  |
|            | PART NO.    | DF60-4EP-10.16C |
|            | CODE NO.    | CL680-3027-0-00 |
|            |             | △ 2/2           |