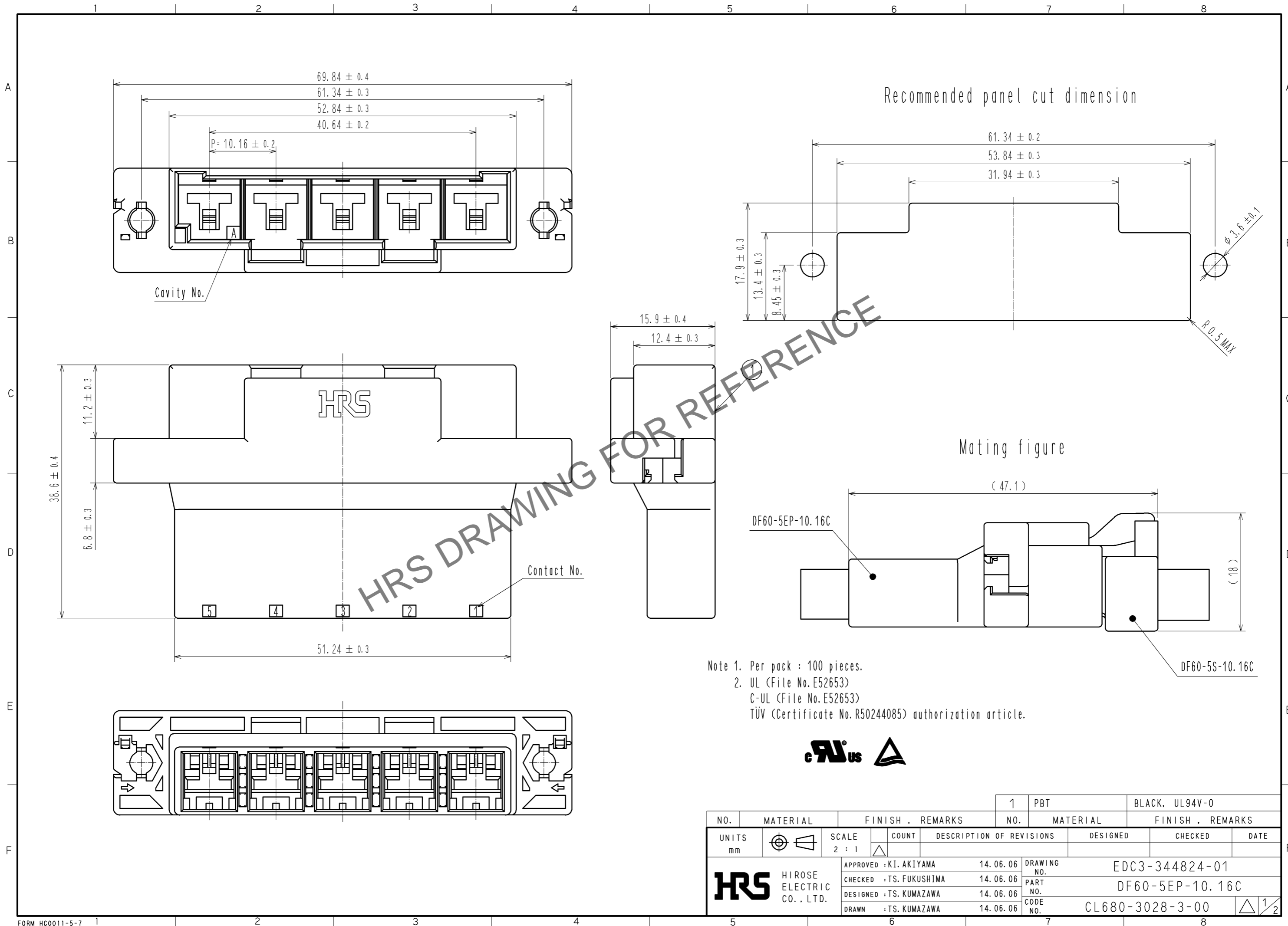


Aug.1.2024 Copyright 2024 HIROSE ELECTRIC CO., LTD. All Rights Reserved.  
In case of consideration for using Automotive equipment / device which demand high reliability, kindly contact our sales window correspondents.



Note 1. Per pack : 100 pieces.  
2. UL (File No. E52653)  
C-UL (File No. E52653)  
TÜV (Certificate No. R50244085) authorization article.

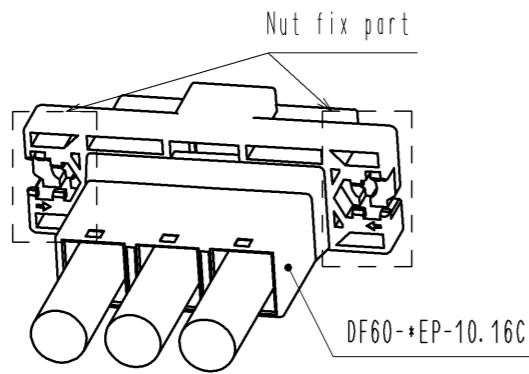


NO.	MATERIAL	FINISH . REMARKS	NO.	MATERIAL	FINISH . REMARKS
			1	PBT	BLACK, UL94V-0
UNITS	mm	SCALE	DESCRIPTION OF REVISIONS		
		2 : 1	DESIGNED	CHECKED	DATE
APPROVED : KI. AKIYAMA		14.06.06	DRAWING NO. EDC3-344824-01		
CHECKED : TS. FUKUSHIMA		14.06.06	PART NO. DF60-5EP-10.16C		
DESIGNED : TS. KUMAZAWA		14.06.06	CODE NO. CL680-3028-3-00		
DRAWN : TS. KUMAZAWA		14.06.06	1/2		

Aug.1.2024 Copyright 2024 HIROSE ELECTRIC CO., LTD. All Rights Reserved.  
In case of consideration for using Automotive equipment / device which demand high reliability, kindly contact our sales window correspondents.

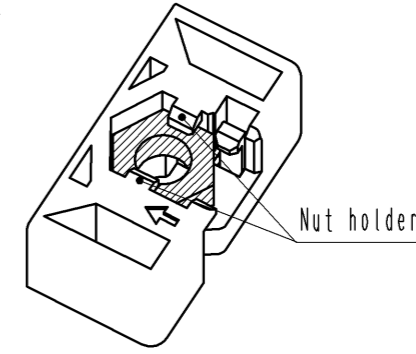
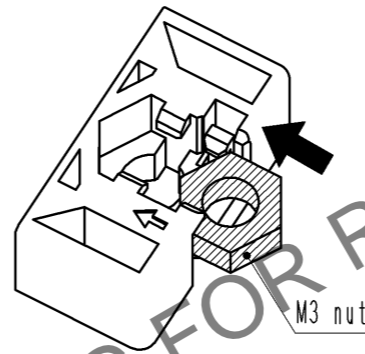
# DF60 In-Line type recommended panel mounting manual (When nuts uses)

## Nut installation process



1. Slide a nut (Size:M3) to nut fix part.

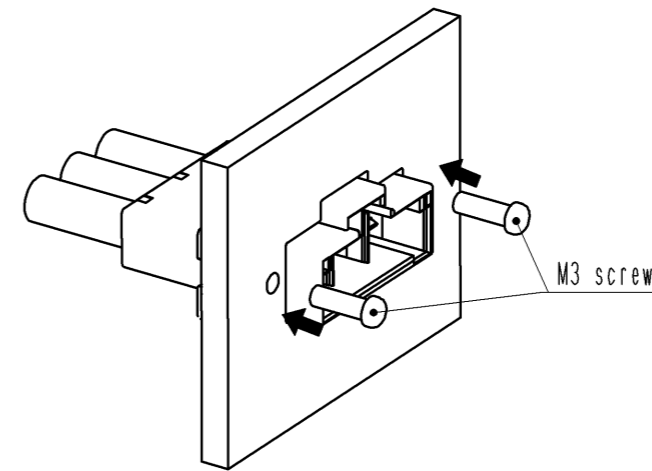
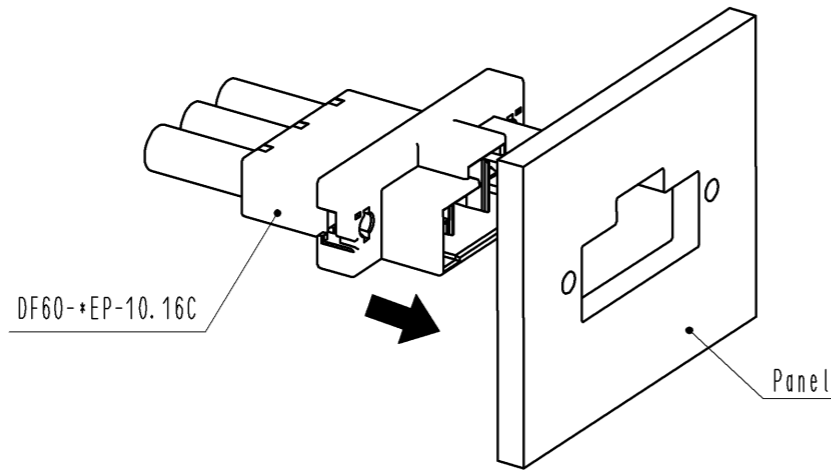
2. Press down the nut until it clicks, then this sound means the nut has inserted into nut holder.



## Panel mounting process

1. Insert connector into panel cut out part.

2. Tighten a screw (Size:M3) to fix with panel.  
recommended torque : less than 49N · cm



<b>HRS</b>	DRAWING NO.	EDC3-344824-01
	PART NO.	DF60-5EP-10.16C
	CODE NO.	CL680-3028-3-00
		△ 2/2