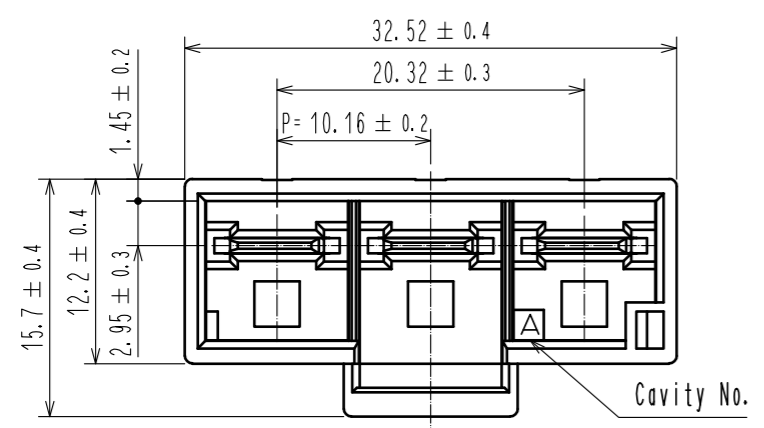
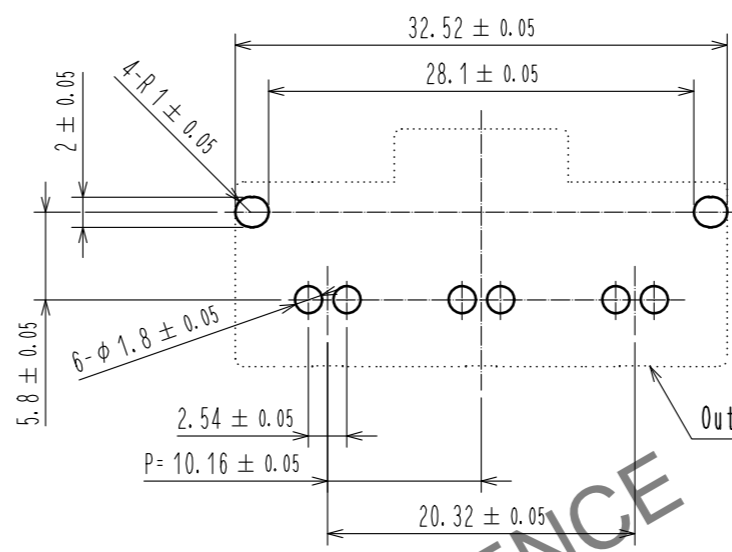


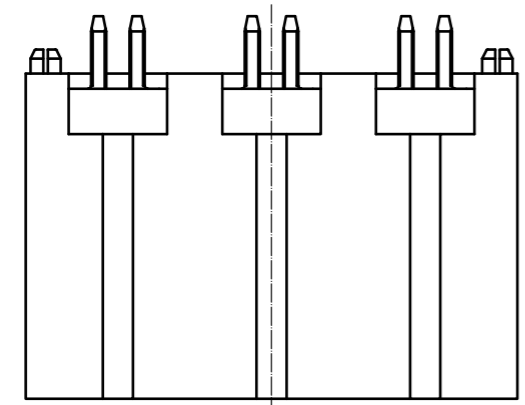
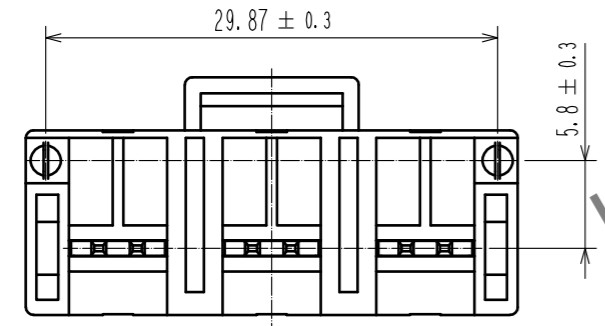
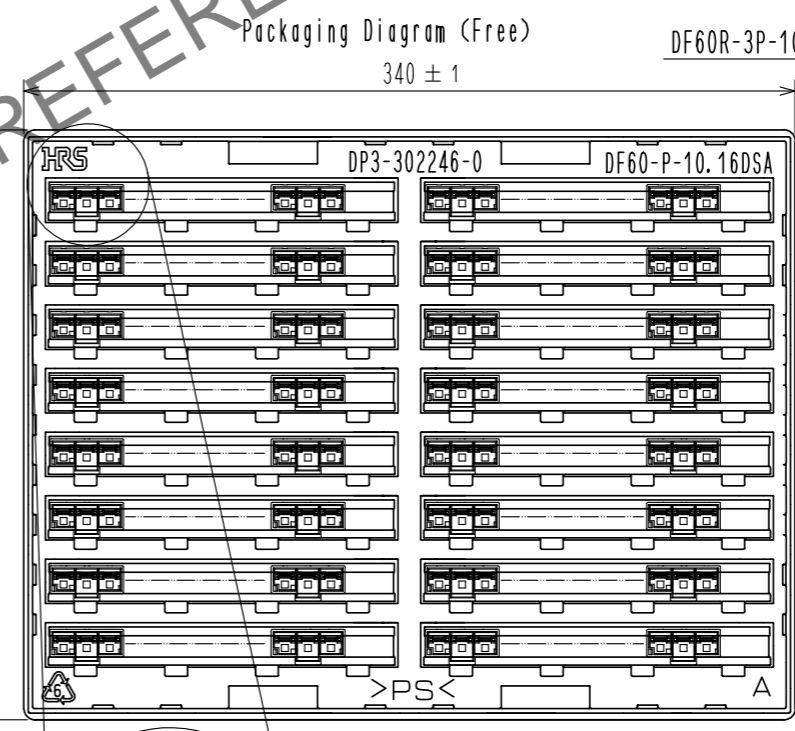
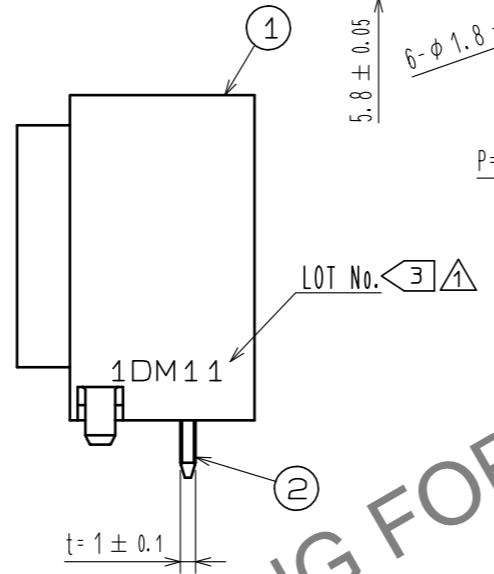
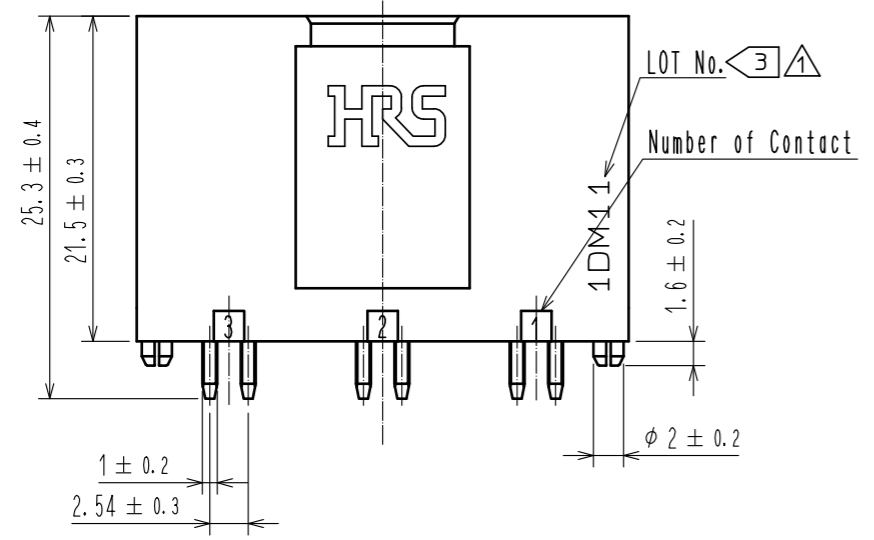
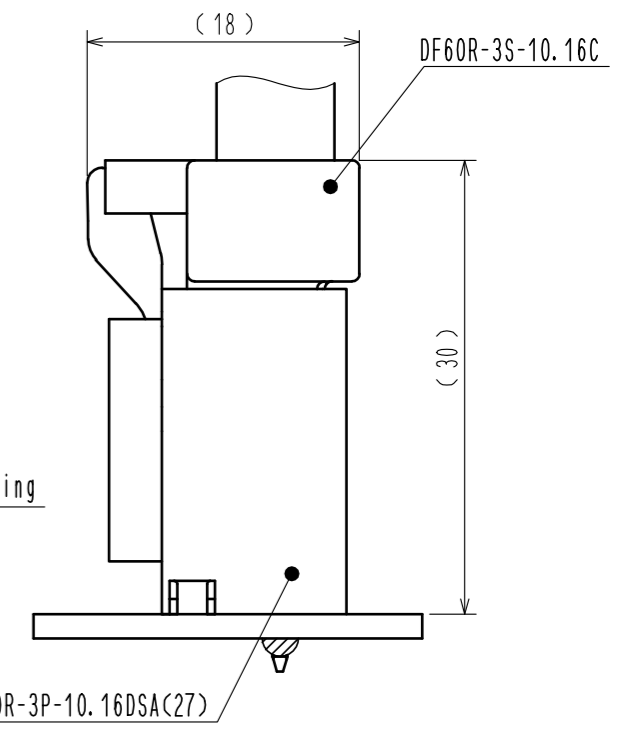
Mar.1.2025 Copyright 2025 HIROSE ELECTRIC CO., LTD. All Rights Reserved.
In case of consideration for using Automotive equipment / device which demand high reliability, kindly contact our sales window correspondents.



Recommended PCB Layout
(Board thickness : t=1.6±0.1mm)



Application Diagram



Notes 1. Per tray : 64 Pieces.
2. UL(File No. E52653)
C-UL(File No. E52653)
TUV (Certificate No. R50244085) authorization article.



Lot No. is displayed in one of the two locations.

1	PBT	Gray, UL94-V0	3	PS	Clear		
2	Copper Alloy		2	Copper Alloy	Contact Area : Au Plating 0.2μm min LEAD Area : Tin Plating 1μm min Under Plating : Ni Plating 1μm min		
NO.	MATERIAL	FINISH . REMARKS	NO.	MATERIAL	FINISH . REMARKS		
UNITS	mm	SCALE	COUNT	DESCRIPTION OF REVISIONS	DESIGNED	CHECKED	DATE
		2 : 1	3	DIS-H-00012301	TS.MIYAKI	SZ.ONO	20220217
APPROVED : KI. AKIYAMA		20160407	DRAWING NO.		EDC-345405-27-00		
CHECKED : TS. FUKUSHIMA		20160407	PART NO.		DF60R-3P-10.16DSA(27)		
DESIGNED : TS. KUMAZAWA		20160407	CODE NO.		CL0680-3038-7-27		
DRAWN : TS. KUMAZAWA		20160407					