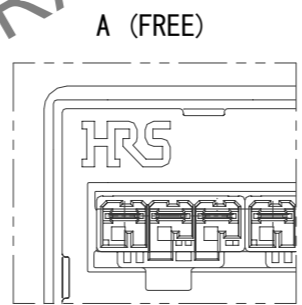
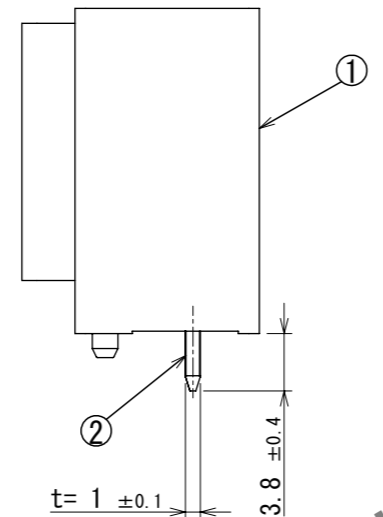
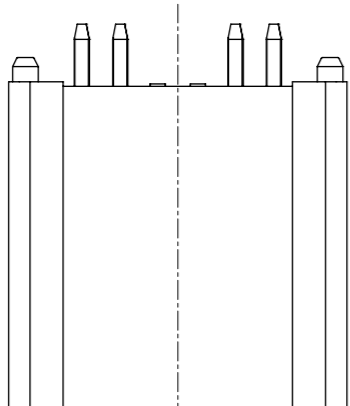
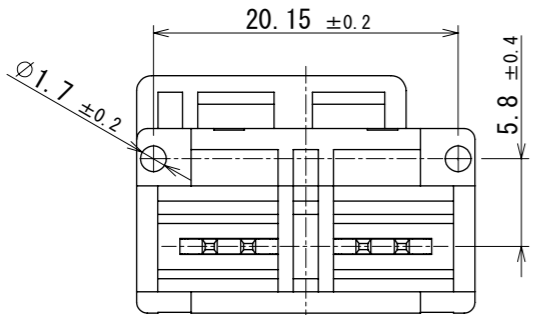
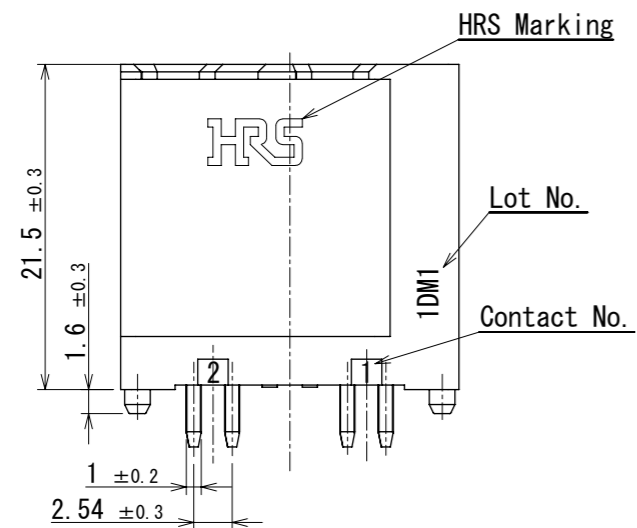
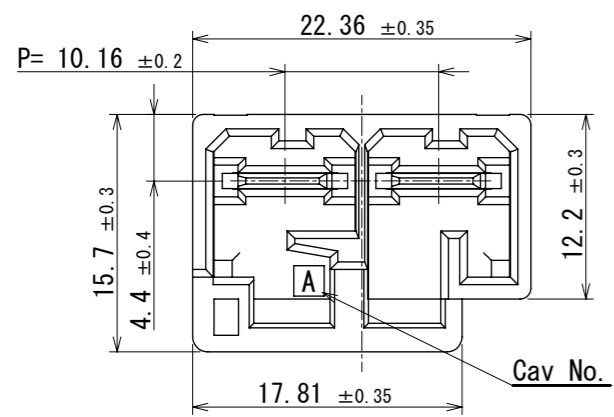
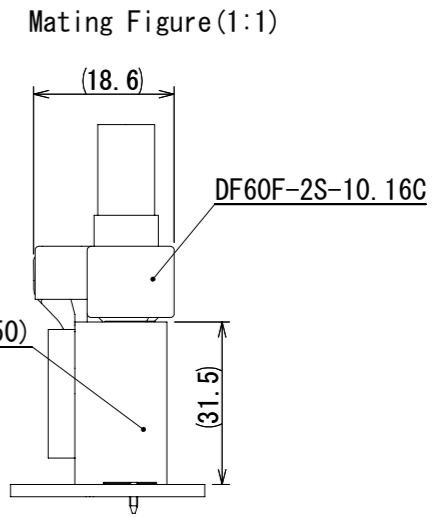
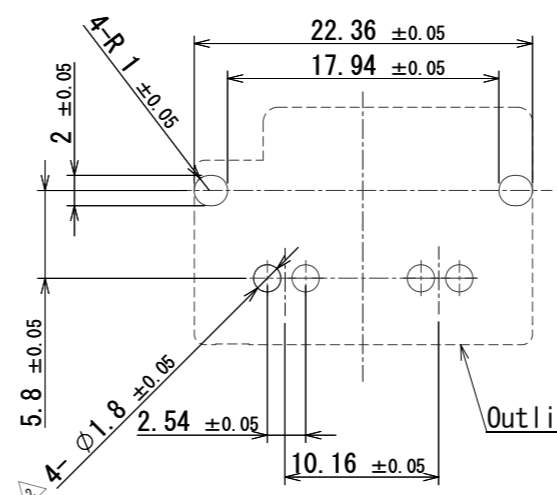


Jun.1.2024 Copyright 2024 HIROSE ELECTRIC CO., LTD. All Rights Reserved.
In case of consideration for using Automotive equipment / device which demand high reliability, kindly contact our sales window correspondents.



Recommended PCB Layout
(Board thickness : t=1.6±0.1mm)



Packaging Figure (3PINs)
(FREE)
340 ±1



- Note 1. 96 Pieces / Tray
 2. Refer to the technical specification (ETAP-H0816-00) for the packaging type.
 3. Refer to the technical specification (ETAP-H0654-00) in handling this product.
 4. UL (File No. E52653)
 C-UL (File No. E52653)
 TÜV (Certificate No. R50400864) authorization article.



1	PBT	BLACK, UL94-V0	3	PS	White			
2	Copper Alloy		2	Copper Alloy	Contact area : Au plating 0.2µmMIN Lead area : Sn plating 1µmMIN Under plating : Ni plating 1µmMIN			
NO.	MATERIAL	FINISH	REMARKS	NO.	MATERIAL	FINISH	REMARKS	
UNITS	mm	SCALE	COUNT	DESCRIPTION OF REVISIONS		DESIGNED	CHECKED	DATE
mm				2:1	1	DIS-H-00020310		TS. KUMAZAWA
APPROVED : SJ. OKAMURA		2022. 08. 04		DRAWING NO.		EDC-386586-50-00		
CHECKED : TT. OHSAKO		2022. 08. 04		PART NO.		DF60F-2P-10.16DSA (50)		
DESIGNED : SN. MIWA		2022. 08. 02		CODE NO.		CL0680-4007-0-50		
DRAWN : SN. MIWA		2022. 08. 02						



HIROSE ELECTRIC CO., LTD.