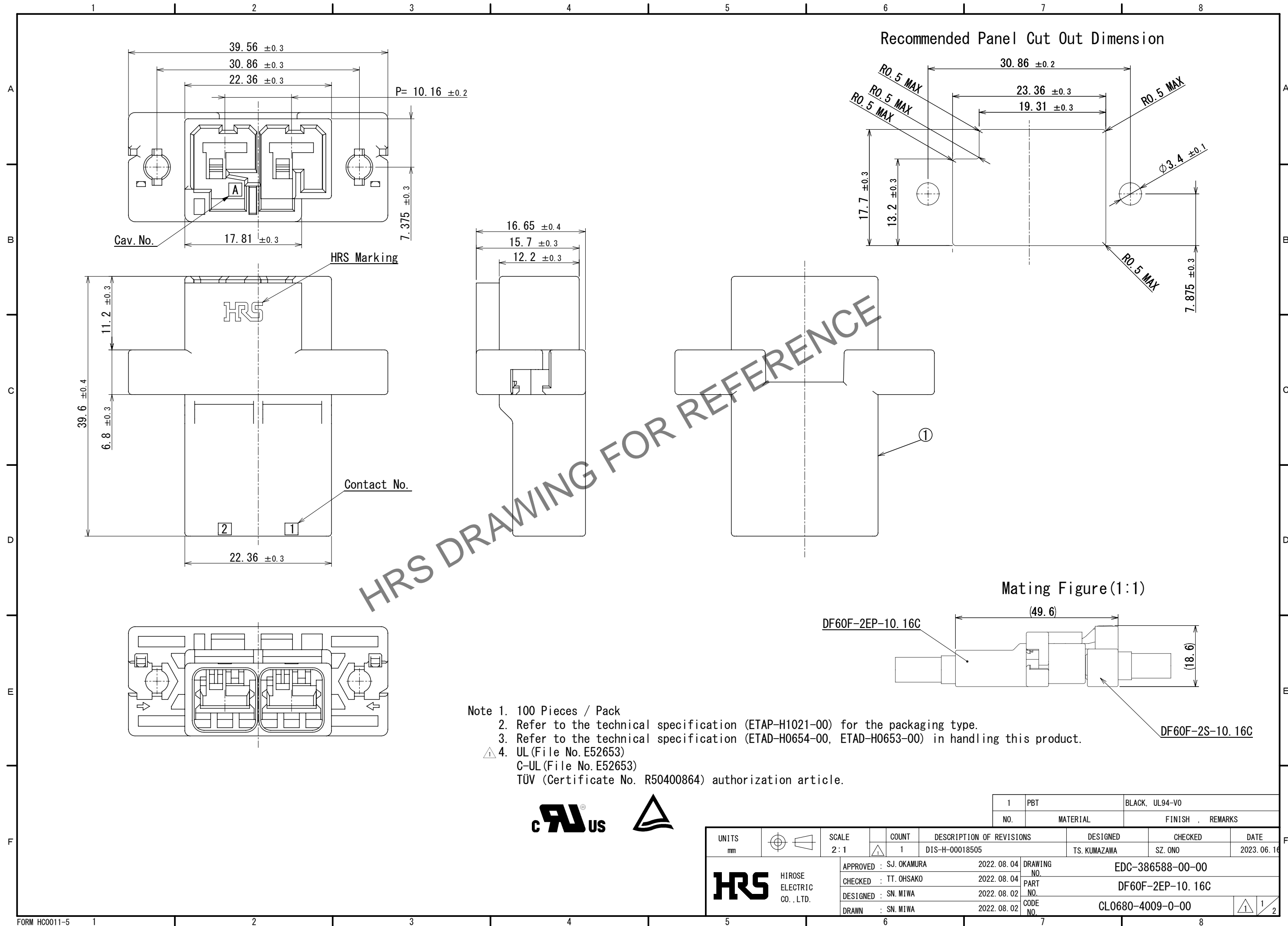


Jun.1.2024 Copyright 2024 HIROSE ELECTRIC CO., LTD. All Rights Reserved.
In case of consideration for using Automotive equipment / device which demand high reliability, kindly contact our sales window correspondents.



HRS DRAWING FOR REFERENCE

- Note 1. 100 Pieces / Pack
 2. Refer to the technical specification (ETAP-H1021-00) for the packaging type.
 3. Refer to the technical specification (ETAD-H0654-00, ETAD-H0653-00) in handling this product.
 △ 4. UL (File No. E52653)
 C-UL (File No. E52653)
 TÜV (Certificate No. R50400864) authorization article.



UNITS	SCALE	COUNT	DESCRIPTION OF REVISIONS	DESIGNED	CHECKED	DATE
mm	2:1	1	DIS-H-00018505	TS. KUMAZAWA	SZ. ONO	2023.06.16
APPROVED : SJ. OKAMURA 2022.08.04			DRAWING NO. EDC-386588-00-00			
CHECKED : TT. OHSAKO 2022.08.04			PART NO. DF60F-2EP-10.16C			
DESIGNED : SN. MIWA 2022.08.02			CODE NO. CL0680-4009-0-00			
DRAWN : SN. MIWA 2022.08.02						

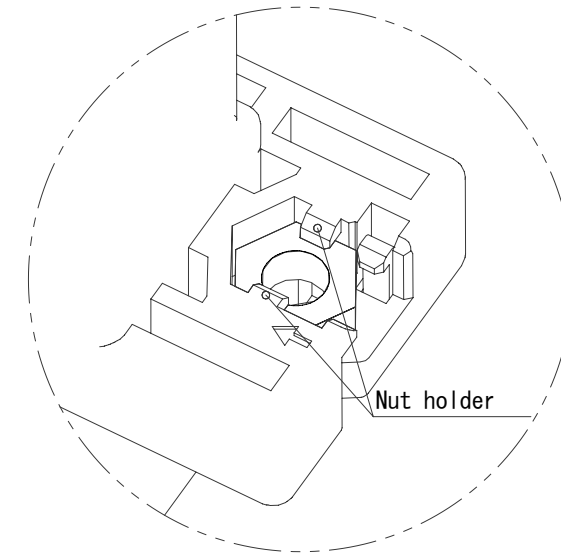
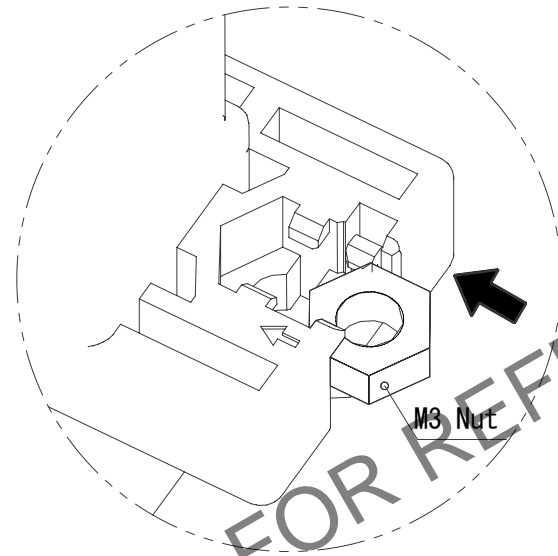
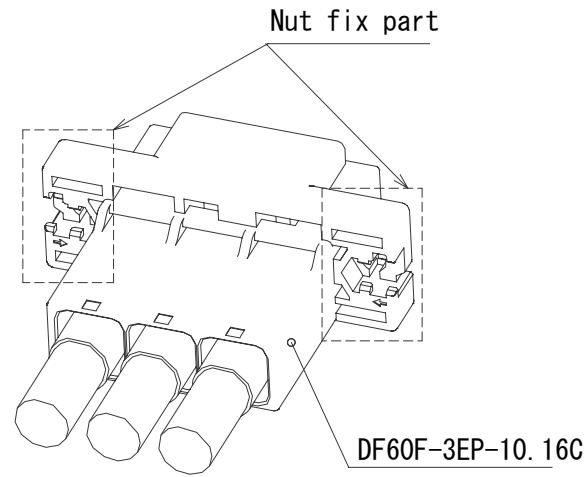
Jun.1.2024 Copyright 2024 HIROSE ELECTRIC CO., LTD. All Rights Reserved.
In case of consideration for using Automotive equipment / device which demand high reliability, kindly contact our sales window correspondents.

DF60F In-Line Type Recommended Panel Mounting Manual in Using Nuts

Nut insertion process

1. Slide the nut (size:M3) to the nut fix part.

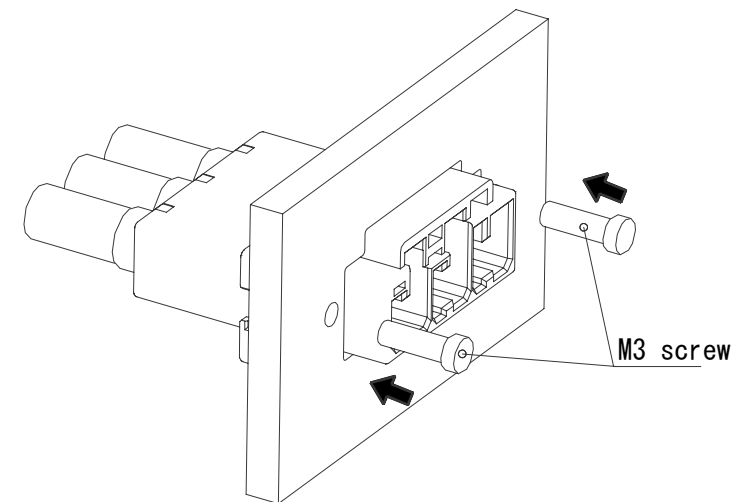
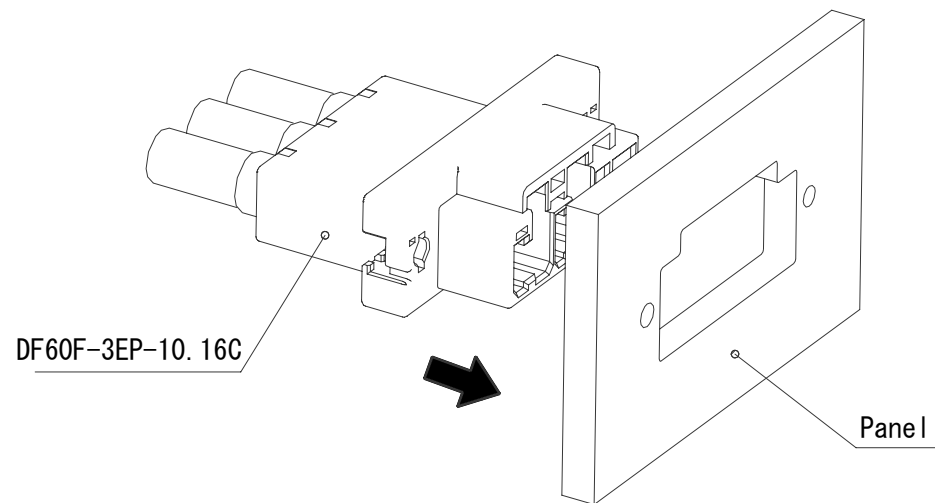
2. Press down the nut until it clicks.
Then, this sound means that the nut has inserted into the nut holder.



Panel mounting process

1. Insert connector into the panel cut out part.

2. Tighten a screw (size:M3) to fix with panel.
Recommended torque : Less than 0.49N · m



HRS	DRAWING NO.	EDC-386588-00-00
	PART NO.	DF60F-2EP-10.16C
	CODE NO.	CL0680-4009-0-00
		2/2