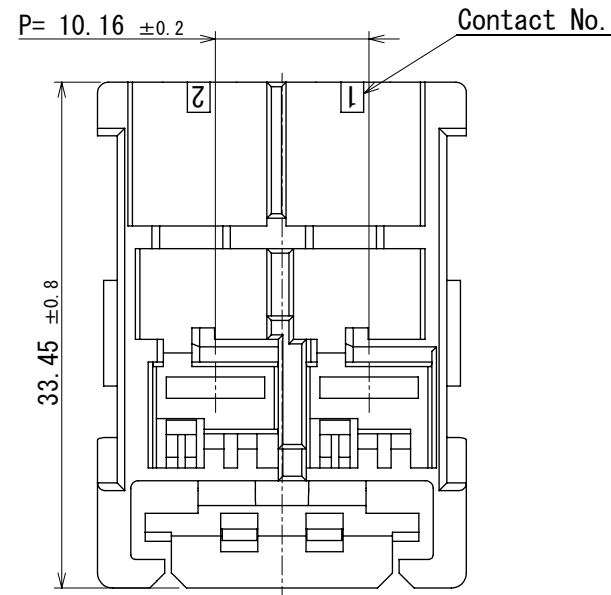
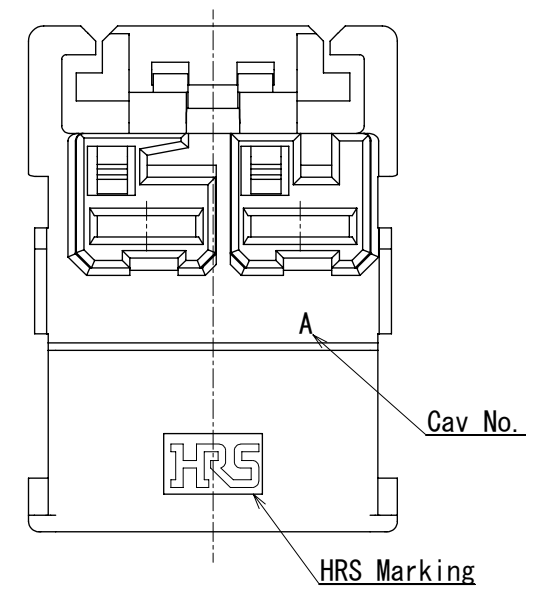
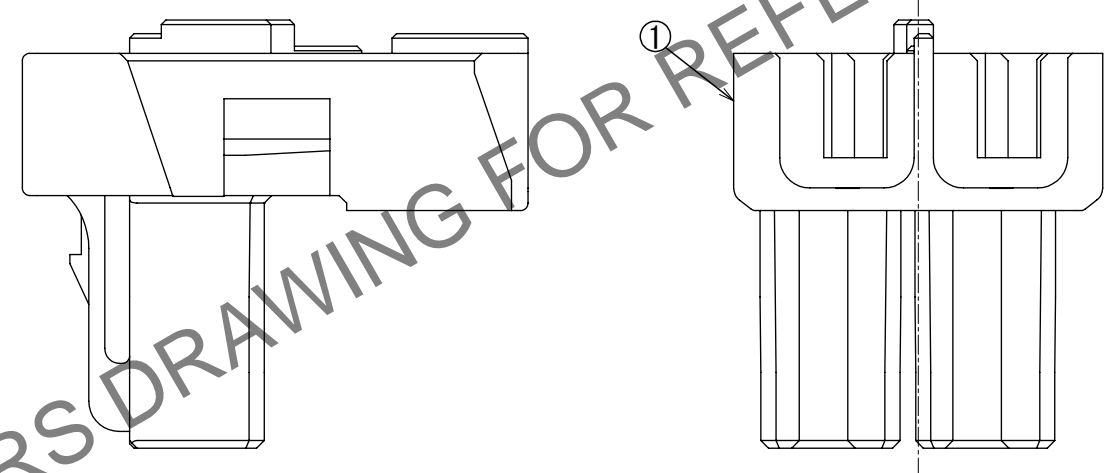
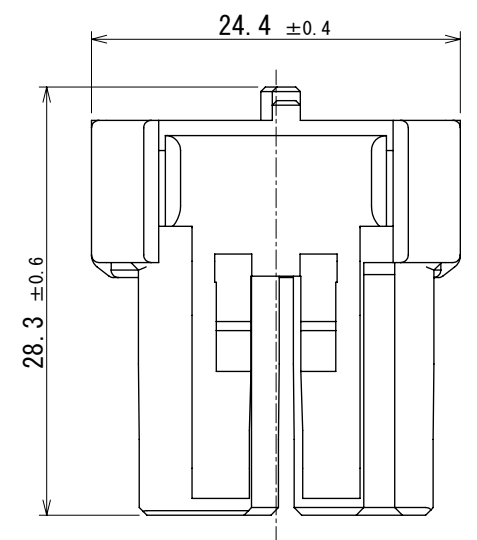
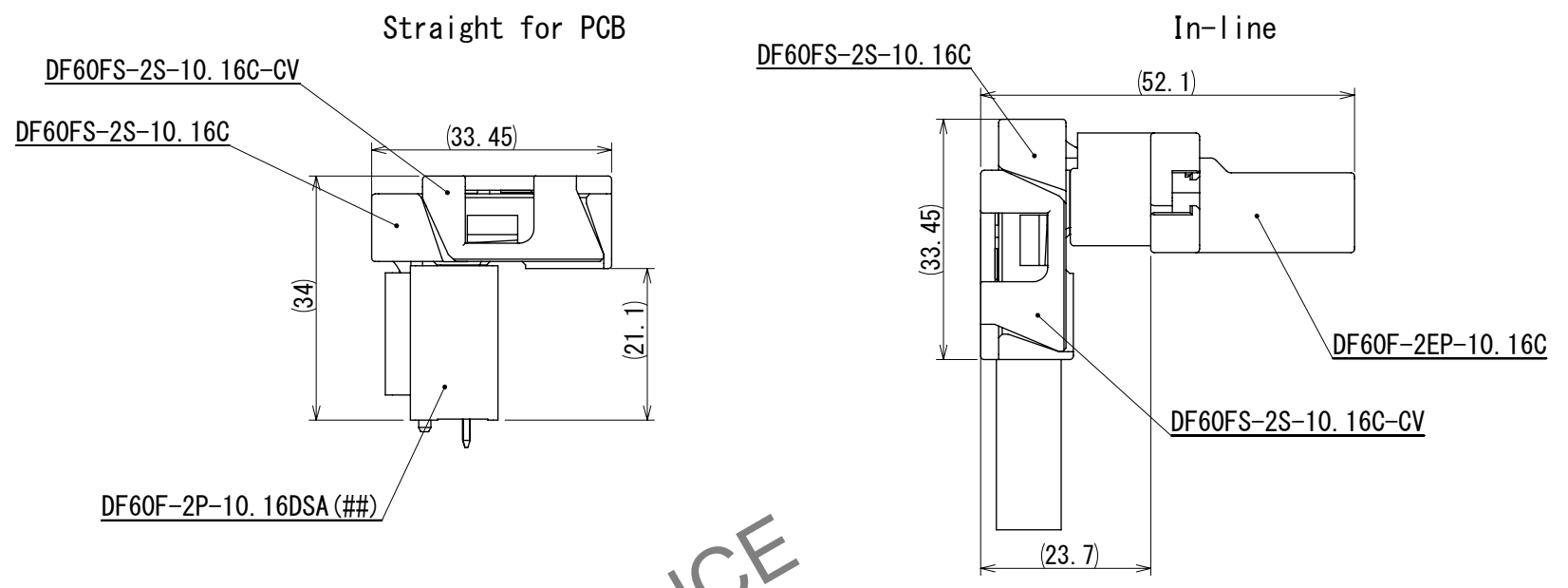


Apr.1.2024 Copyright 2024 HIROSE ELECTRIC CO., LTD. All Rights Reserved.
 In case of consideration for using Automotive equipment / device which demand high reliability, kindly contact our sales window correspondents.



Mating state figure



- Note 1. 100 Pieces / Pack
 2. Please refer to the technical specification (ETAP-H1020-00) for the packing type.
 3. Please refer to the technical specification (ETAD-H0654-00, ETAD-H0653-00) for handling.
 4. There may be minor scratches, however does not affect performance.

| NO. | MATERIAL | FINISH | REMARKS |
|-----|----------|----------------|---------|
| 1 | PBT | Black, UL94V-0 | |

| UNITS | SCALE | COUNT | DESCRIPTION OF REVISIONS | DESIGNED | CHECKED | DATE |
|-------|-------|-------|--------------------------|----------|---------|------|
| mm | 2:1 | △ | | | | |

| | | | |
|------------------------|--------------|-------------|------------------|
| APPROVED : SJ. OKAMURA | 2023. 10. 19 | DRAWING NO. | EDC-402081-00-00 |
| CHECKED : TT. OHSAKO | 2023. 10. 19 | PART NO. | DF60FS-2S-10.16C |
| DESIGNED : KT. NUMATA | 2023. 10. 18 | CODE NO. | CL0680-4013-0-00 |
| DRAWN : SK. CHIBA | 2023. 10. 18 | | |