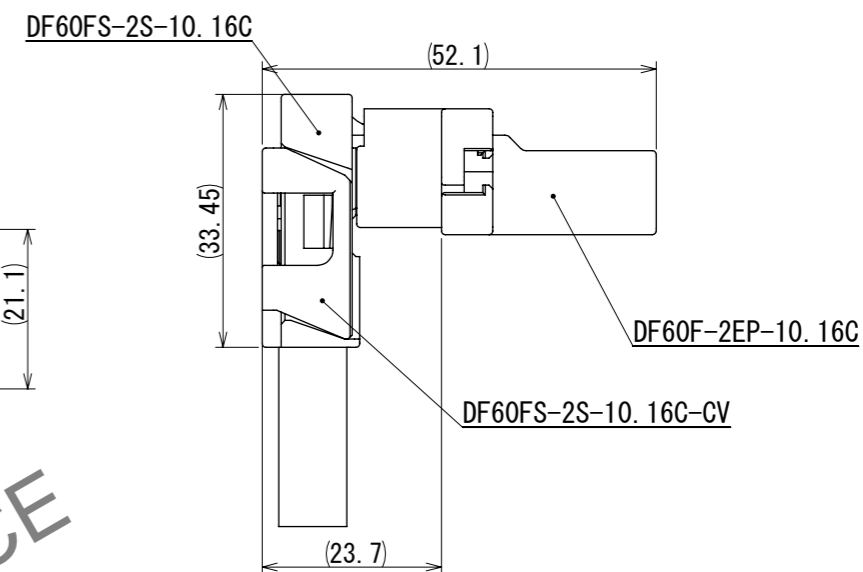
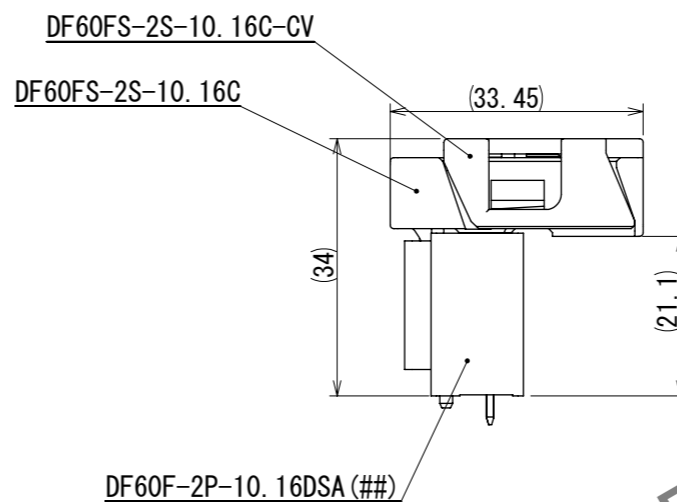
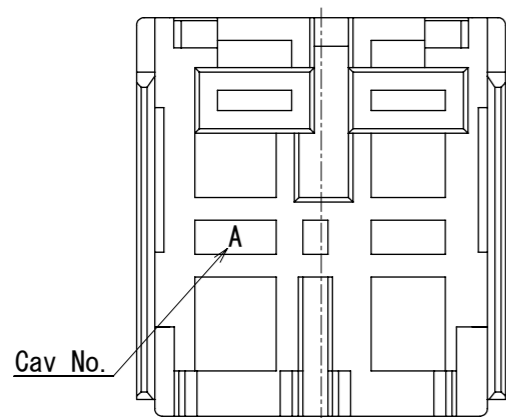
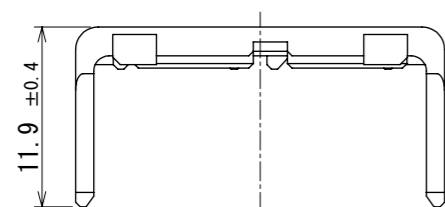
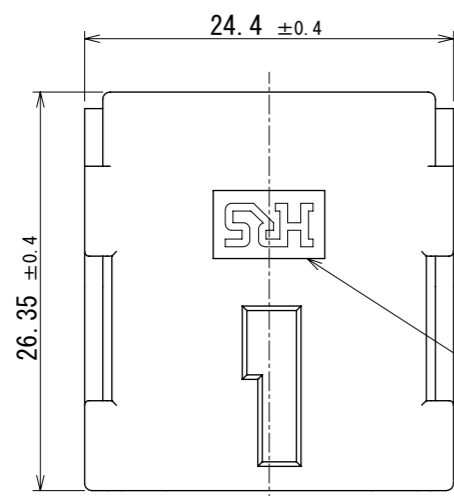


May.1.2024 Copyright 2024 HIROSE ELECTRIC CO., LTD. All Rights Reserved.
In case of consideration for using Automotive equipment / device which demand high reliability, kindly contact our sales window correspondents.

Mating state figure



HRS DRAWING FOR REFERENCE

- Note 1. 100 Pieces / Pack
 2. Refer to the technical specification (ETAP-H1020-00) for the packaging type.
 3. Refer to the technical specification (ETAD-H0654-00, ETAD-H0653-00) for handling.
 4. There may be minor scratches, however does not affect performance.

UNITS mm		SCALE 2:1		COUNT △		DESCRIPTION OF REVISIONS		DESIGNED	CHECKED	DATE
HIROSE ELECTRIC CO., LTD.		APPROVED : SJ. OKAMURA		2023. 10. 19		DRAWING NO.		EDC-402082-00-00		
		CHECKED : TT. OHSAKO		2023. 10. 19		PART NO.		DF60FS-2S-10.16C-CV		
		DESIGNED : KT. NUMATA		2023. 10. 18		CODE NO.		CL0680-4014-0-00		
		DRAWN : SK. CHIBA		2023. 10. 18						
						1		PBT		Gray, UL94V-0
						NO.		MATERIAL		FINISH, REMARKS