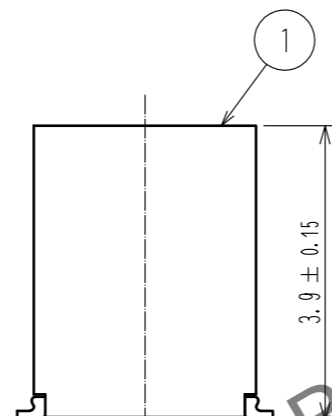
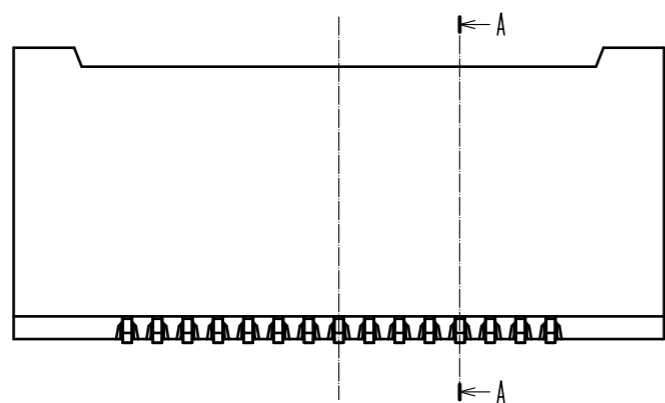
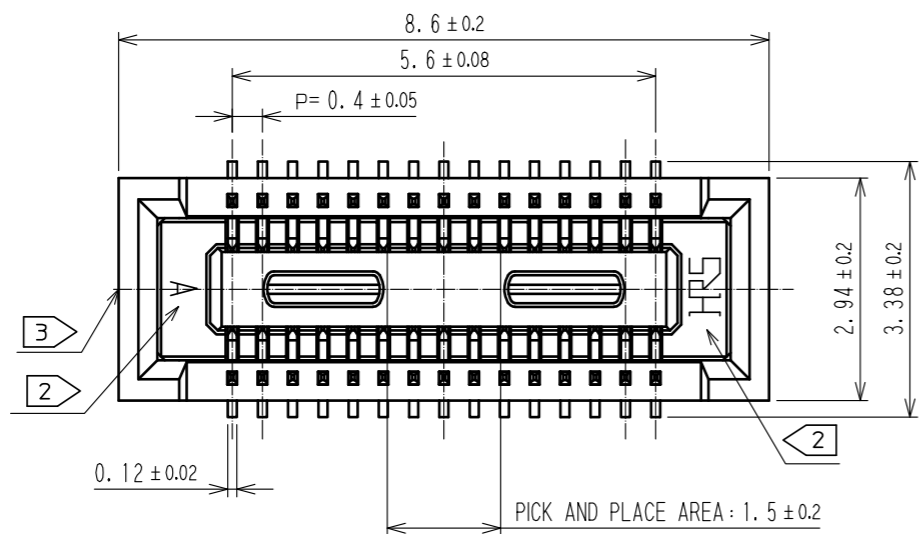
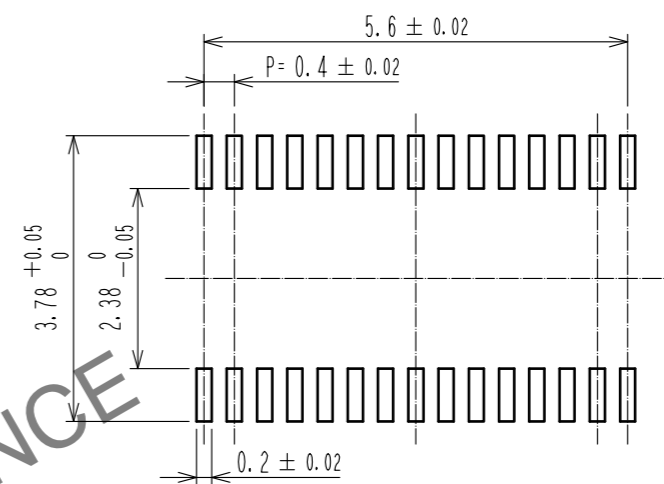


Jun.1.2024 Copyright 2024 HIROSE ELECTRIC CO., LTD. All Rights Reserved.  
 In case of consideration for using Automotive equipment / device which demand high reliability, kindly contact our sales window correspondents.

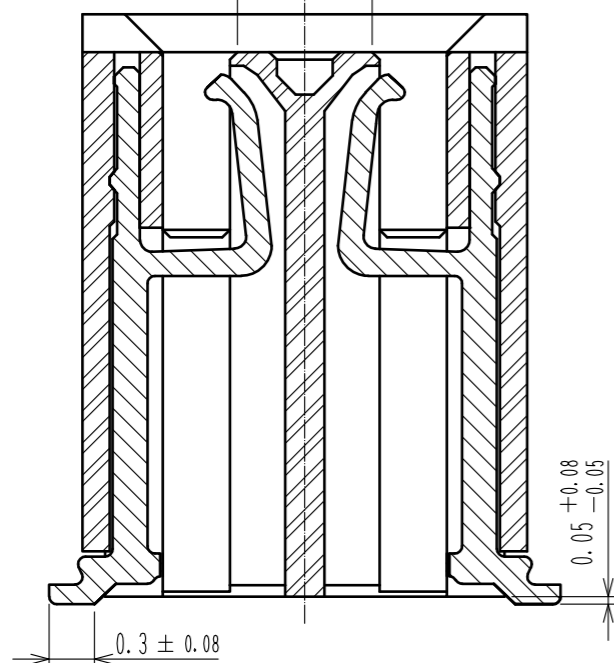


RECOMMENDED PATTERN

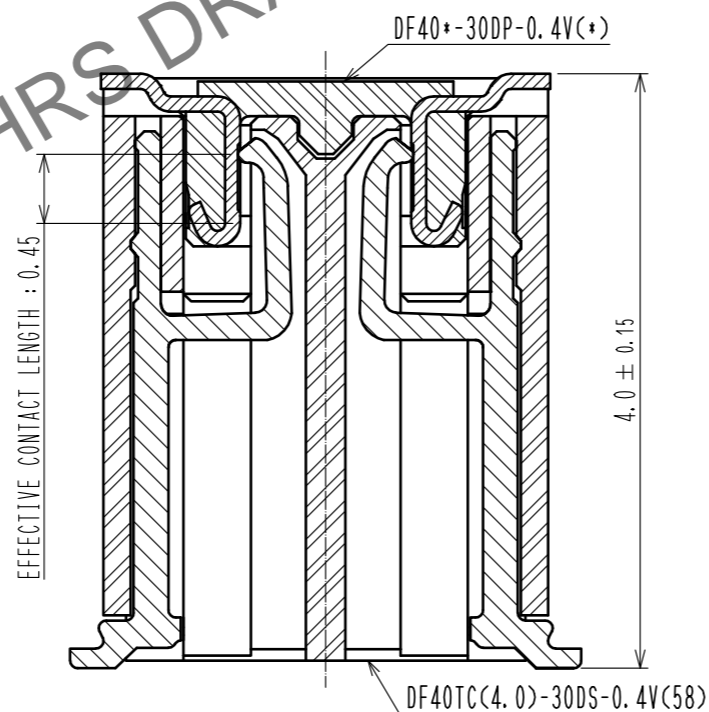


RECOMMENDED METAL MASK THICKNESS : 120 μm  
 RECOMMENDED METAL MASK OPENING RATIO : 80% FOR LEAD PAD

A-A(20:1)  
 PICK AND PLACE AREA : 0.99 ± 0.1



ENGAGEMENT FIGURE (20:1)

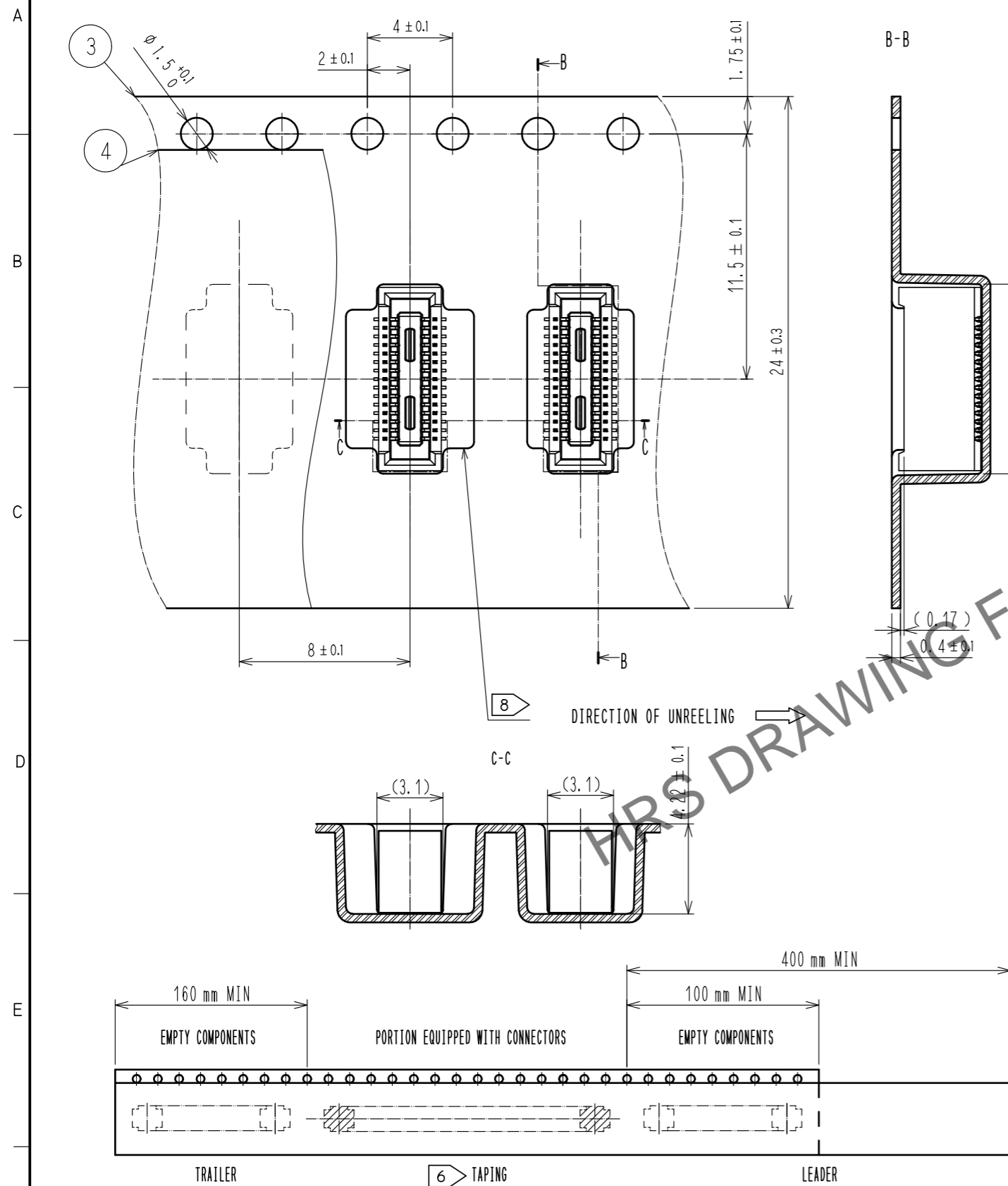


- NOTES ) 1. ALL LEADS CO-PLANARITY SHALL BE 0.1 MAX.  
 2. HRS MARK AND CAV NO. ARE LOCATED IN APPROXIMAL AREA.  
 3. GATE IS COCATED IN APPROXIMAL AREA.

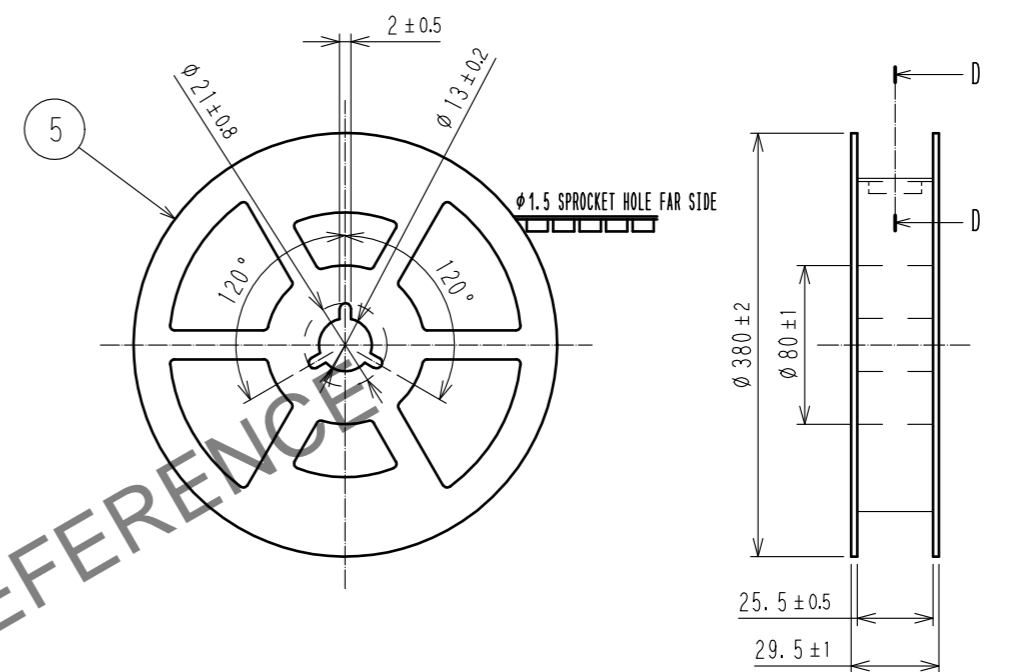
2	COPPER ALLOY	CONTACT AREA:GOLD 0.05 μm MIN SMT LEAD:GOLD 0.05 μm MIN UNDERPLATING:NICKEL 1 μm MIN	6	PS	CLEAR, REINFORCEMENT COLLAR		
			5	PS	BLACK		
			4	POLYESTER	CLEAR, COVER TAPE		
1	LCP	BLACK, UL94V-0	3	PS	CLEAR, EMBOSSED CARRIER TAPE		
NO.	MATERIAL	FINISH . REMARKS	NO.	MATERIAL	FINISH . REMARKS		
UNITS	⊙	SCALE	COUNT	DESCRIPTION OF REVISIONS	DESIGNED	CHECKED	DATE
mm		10:1	0				
APPROVED : WR. FUKUCHI 20210402			DRAWING NO. EDC-386149-58-00				
CHECED : TS. MIYAZAKI 20210402			PART NO. DF40TC(4.0)-30DS-0.4V(58)				
DESIGNED : YK. SATAKE 20210402			CODE NO. CLO684-4256-0-58				
DRAWN : YK. SATAKE 20210402							

Jun.1.2024 Copyright 2024 HIROSE ELECTRIC CO., LTD. All Rights Reserved.  
In case of consideration for using Automotive equipment / device which demand high reliability, kindly contact our sales window correspondents.

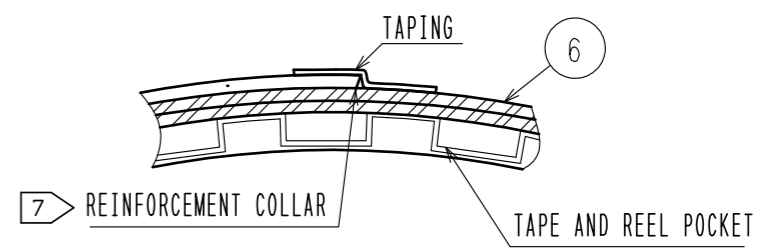
# EMBOSSED CARRIER TAPE PACKAGING (FREE)



# STYLE AND DIMENSION OF REEL (FREE)



## D-D (FREE)



- NOTES**
4. PER REEL 1000 CONNECTORS.
  5. THE DIMENSIONS IN PARENTHESES ARE FOR REFERENCE.
  6. REFER TO JIS C 0806(IEC 60286-3)(PACKING OF COMPONENTS FOR AUTOMATIC HANDLING)
  7. AFTER PACKAGING, ROLL 2 METERS OF THE REINFORCEMENT COLLAR TO OUTER CIRCUMFERENCE OF TAPE AND REEL POCKET, AND TAPE DOWN AT THE END THE COLLAR.
  8. ONE OF SEVERAL IS DIFFERENT IN FROM OF THE EMBOSSED CARRIER TAPE TO AVOID BEING STUCK IN.

<b>HRS</b>	DRAWING NO.	EDC-386149-58-00
	PART NO.	DF40TC(4.0)-30DS-0.4V(58)
	CODE NO.	CL0684-4256-0-58
		$\triangle$ 2/2