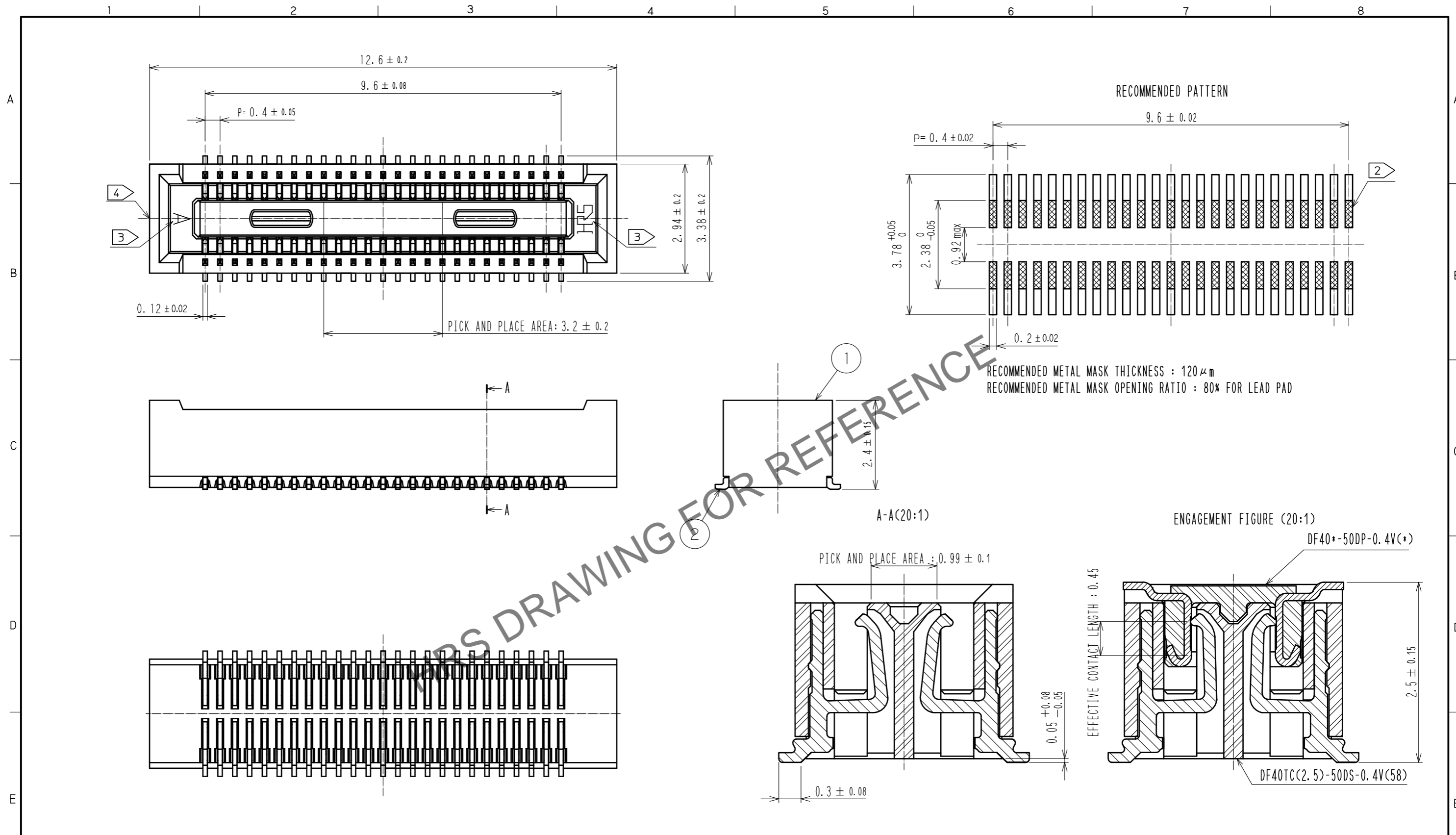


Jun.1.2024 Copyright 2024 HIROSE ELECTRIC CO., LTD. All Rights Reserved.  
In case of consideration for using Automotive equipment / device which demand high reliability, kindly contact our sales window correspondents.



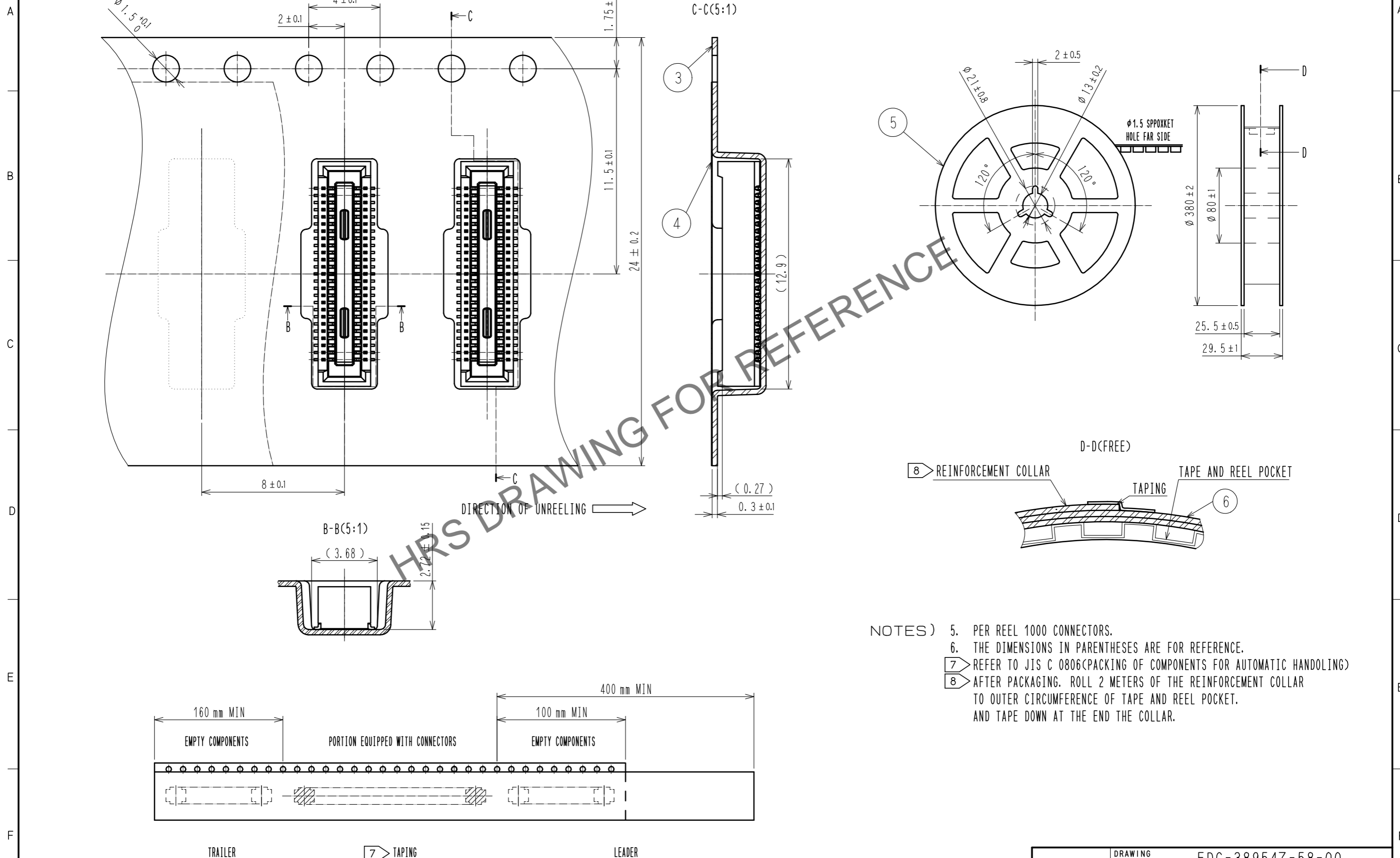
NOTE 1. ALL LEADS CO-PLANARITY SHALL BE 0.1 MAX.  
 2 IS NO PATTERN AREA OTHER THAN THE SAME CIRCUIT.  
 3 HRS MARK AND CAV NO. IS INDICATED IN APPROXI POSITION SHOWN.  
 4 GATE POSITION IS POSITIONED IN APPROXIMAL AREA SHOWN.

2	COPPER ALLOY	CONTACT AREA: GOLD $0.05 \mu\text{m}$ MIN	5	PS	BLACK		
		SMT LEAD: GOLD $0.05 \mu\text{m}$ MIN					
		UNDERPLATING: NICKEL $1 \mu\text{m}$ MIN	4	POLYESTER	CLEAR, COVER TAPE		
1	LCP	BLACK, UL94V-0	3	PS	CLEAR, EMBOSSED CARRIER TAPE		
NO.	MATERIAL	FINISH . REMARKS	NO.	MATERIAL	FINISH . REMARKS		
UNITS		SCALE	COUNT	DESCRIPTION OF REVISIONS	DESIGNED	CHECKED	DATE
mm		10 : 1					
<b>HRS</b> HIROSE ELECTRIC CO., LTD.		APPROVED : WR. FUKUCHI	20210402	DRAWING NO. EDC-389547-58-00			
		CHECKED : TS. MIYAZAKI	20210402	PART NO. DF40TC(2.5)-50DS-0.4V(58)			
		DESIGNED : YK. SATAKE	20210402	CODE NO. CL0684-4279-0-58			
		DRAWN : YK. SATAKE	20210402	1/2			

Jun.1.2024 Copyright 2024 HIROSE ELECTRIC CO., LTD. All Rights Reserved.  
 In case of consideration for using Automotive equipment / device which demand high reliability, kindly contact our sales window correspondents.

EMBOSSED CARRIER TAPE PAACKAGING (5:1)

STYLE AND DIMENSION OF REEL (FREE)



- NOTES )
- 5. PER REEL 1000 CONNECTORS.
  - 6. THE DIMENSIONS IN PARENTHESES ARE FOR REFERENCE.
  - 7. REFER TO JIS C 0806(PACKING OF COMPONENTS FOR AUTOMATIC HANDLING)
  - 8. AFTER PACKAGING, ROLL 2 METERS OF THE REINFORCEMENT COLLAR TO OUTER CIRCUMFERENCE OF TAPE AND REEL POCKET, AND TAPE DOWN AT THE END THE COLLAR.

<b>HRS</b>	DRAWING NO.	EDC-389547-58-00	
	PART NO.	DF40TC(2.5)-50DS-0.4V(58)	
	CODE NO.	CL0684-4279-0-58	2/2