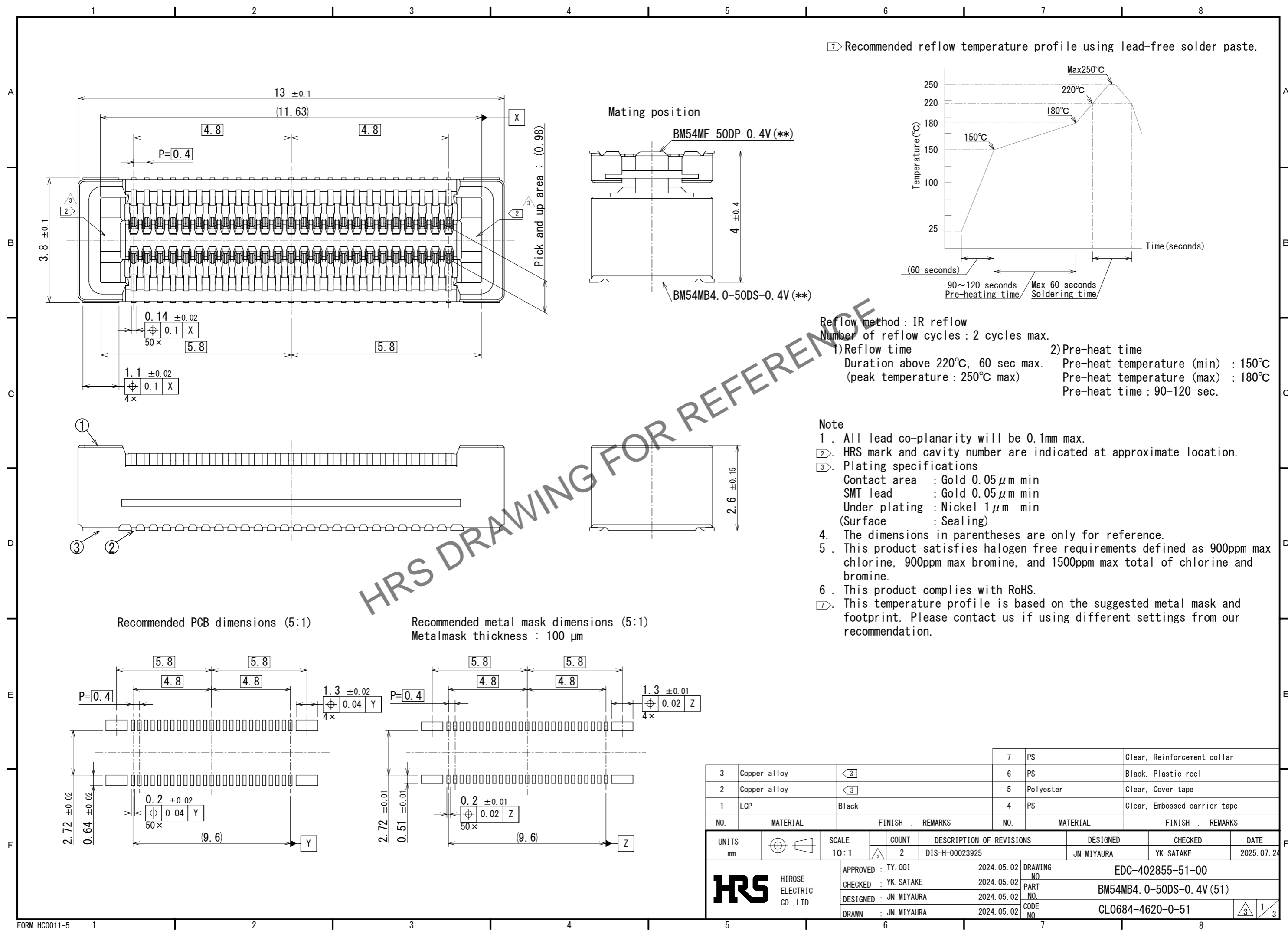


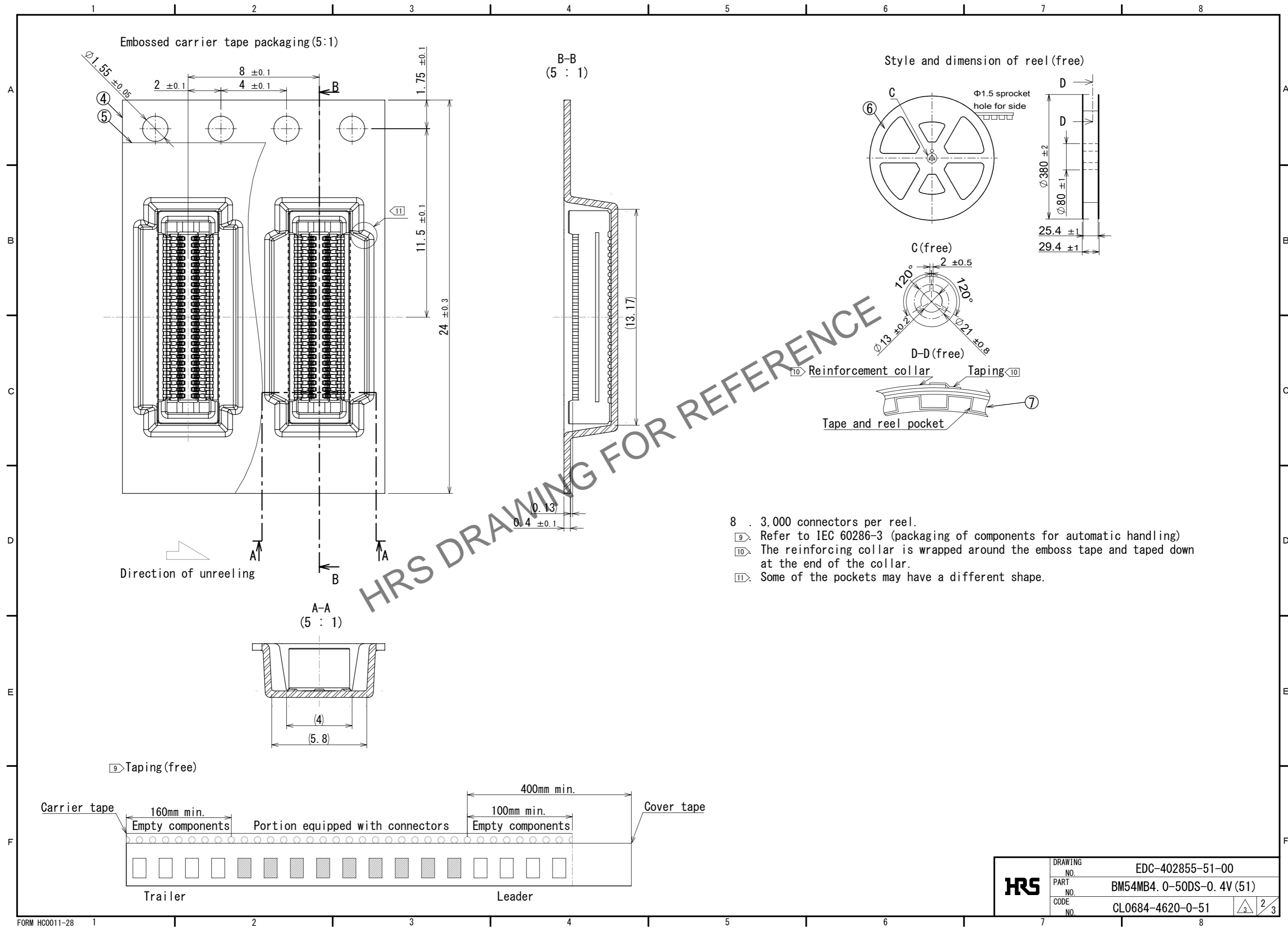
May.1.2026 Copyright 2026 HIROSE ELECTRIC CO., LTD. All Rights Reserved.  
 In case of consideration for using Automotive equipment / device which demand high reliability, kindly contact our sales window correspondents.



HRS DRAWING FOR REFERENCE

3	Copper alloy	⊂3	7	PS	Clear, Reinforcement collar		
2	Copper alloy	⊂3	6	PS	Black, Plastic reel		
1	LCP	Black	5	Polyester	Clear, Cover tape		
			4	PS	Clear, Embossed carrier tape		
NO.	MATERIAL	FINISH	REMARKS	NO.	MATERIAL	FINISH	REMARKS
UNITS	mm	SCALE	10:1	COUNT	2	DESCRIPTION OF REVISIONS	
						DESIGNED	CHECKED
						JN MIYaura	YK. SATAKE
						DATE	2025. 07. 24
HIROSE ELECTRIC CO., LTD.		APPROVED	TY. OOI	2024. 05. 02	DRAWING NO. EDC-402855-51-00		
		CHECKED	YK. SATAKE	2024. 05. 02	PART NO. BM54MB4. 0-50DS-0. 4V (51)		
		DESIGNED	JN MIYaura	2024. 05. 02	CODE NO. CL0684-4620-0-51		
		DRAWN	JN MIYaura	2024. 05. 02	1/3		

May.1.2026 Copyright 2026 HIROSE ELECTRIC CO., LTD. All Rights Reserved.  
In case of consideration for using Automotive equipment / device which demand high reliability, kindly contact our sales window correspondents.



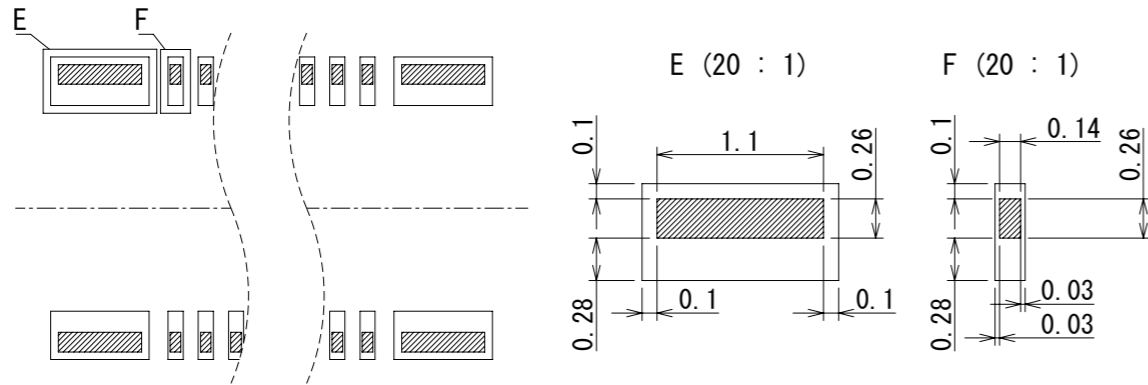
- 8 . 3,000 connectors per reel.
- ⑨. Refer to IEC 60286-3 (packaging of components for automatic handling)
- ⑩. The reinforcing collar is wrapped around the emboss tape and taped down at the end of the collar.
- ⑪. Some of the pockets may have a different shape.

<b>HRS</b>	DRAWING NO.	EDC-402855-51-00
	PART NO.	BM54MB4. 0-50DS-0. 4V (51)
	CODE NO.	CL0684-4620-0-51
	NO.	2/3

May.1.2026 Copyright 2026 HIROSE ELECTRIC CO., LTD. All Rights Reserved.  
In case of consideration for using Automotive equipment / device which demand high reliability, kindly contact our sales window correspondents.

12. Please refer to the product guideline for detail of connector handling.

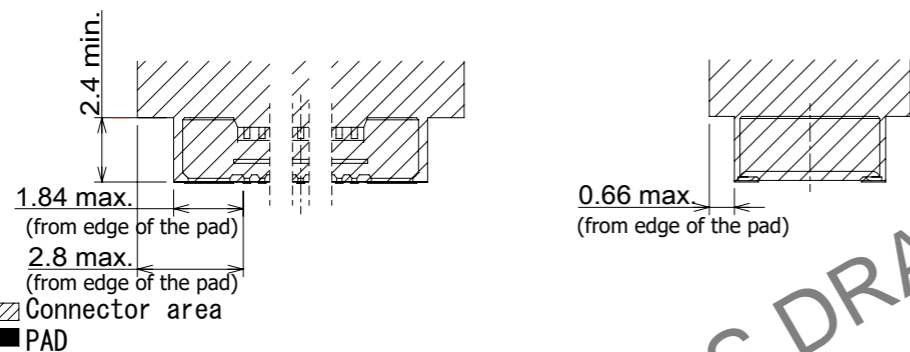
The position between the connector and PAD



▨ Connector lead on PAD layout  
□ PAD layout

Connector area

(1) ▨ is connector area or floating area, if other parts enter this area, it is possible to affect floating performance.



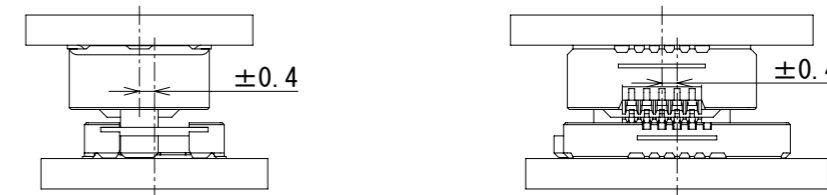
Mating method

(1) The alignment dimension is  $\pm 0.4$  mm in the X and Y directions. After the start of mating, follow the alignment and mate perpendicularly to the board without applying an overloading to the connector



Misalignment Allowance in Mated Condition (Floating Range)

(1) Because of floating design, this connector has a  $\pm 0.4$  mm board misalignment tolerance in the X and Y directions when mated. However, it is not suitable for absorption when the range of misalignment constantly changes due to vibration, etc. The number of repetitions of floating movable operations is stipulated to be no more than 10 times

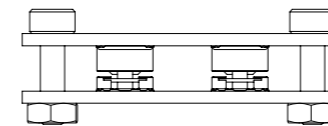


Securing PCBs

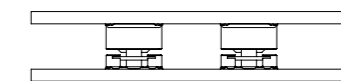
(1) This connector can absorb misalignment between PCBs, but not vibration. If you support PCBs only with the connectors without taking any fixing measures, the load on the connectors will be excessive and may cause broken or contact failure. Be sure to secure PCBs except for the connectors as shown below to prevent the board from moving. This connector connects the board to the board. When using mounting to FPC, fasten the board and FPC to the case separately



Fixing PCBs with a spacer or case

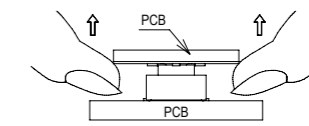
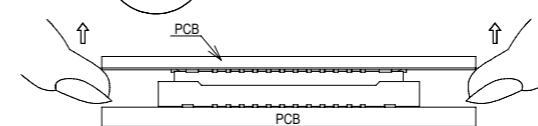


Do not use the product without fixing PCBs together.

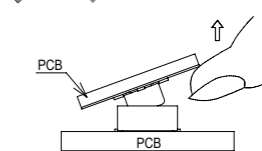
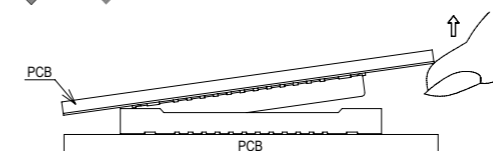


Un-mating method

(1) Un-mate the connectors parallel to each other.



(2) When un-mating the connector, pull it out in parallel. If it is un-mated in an inclined position, connector may deform.



<b>HRS</b>	DRAWING NO.	EDC-402855-51-00	3/3
	PART NO.	BM54MB4. 0-50DS-0. 4V (51)	
	CODE NO.	CL0684-4620-0-51	