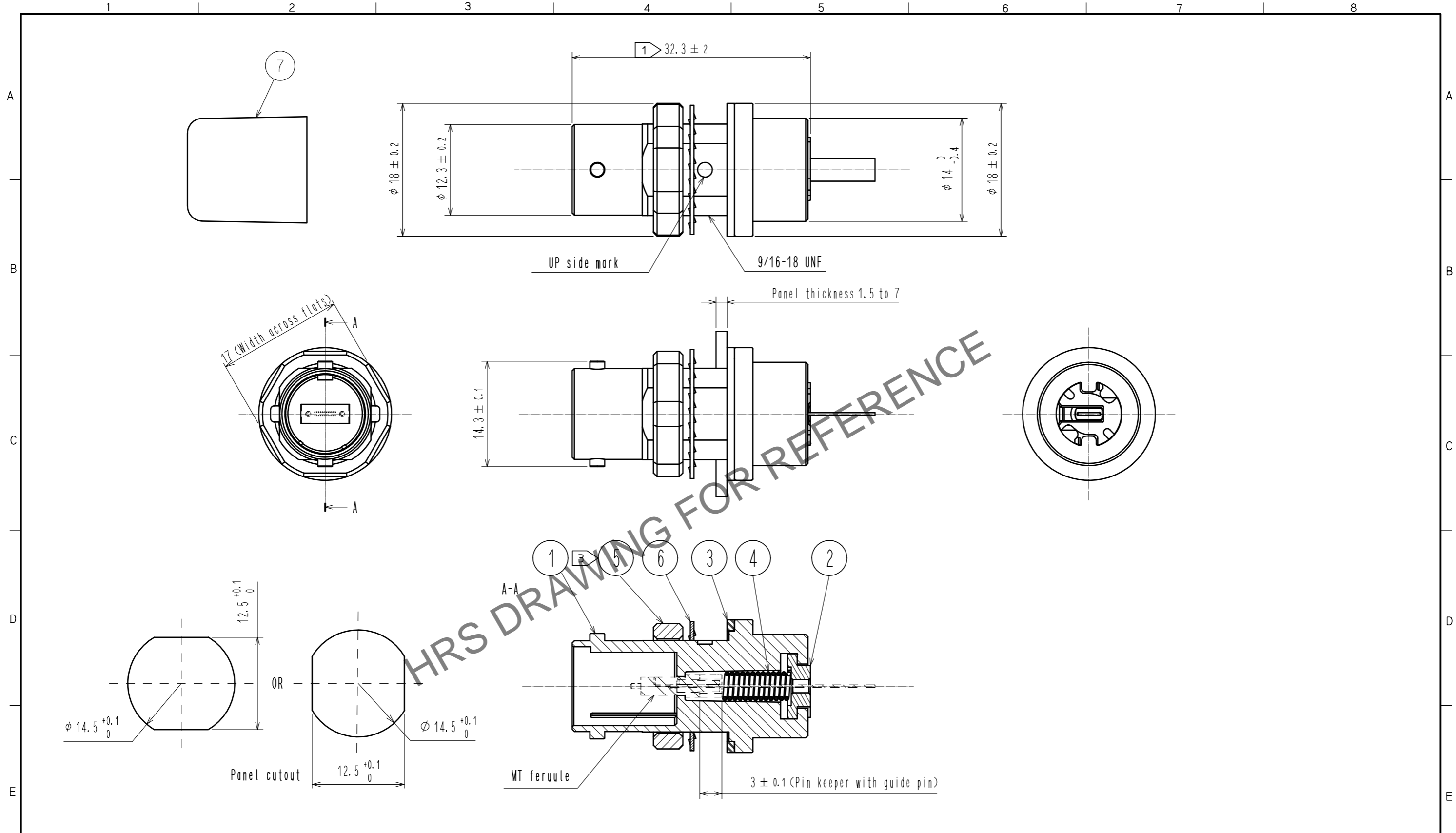


Jun.1.2024 Copyright 2024 HIROSE ELECTRIC CO., LTD. All Rights Reserved.  
 In case of consideration for using Automotive equipment / device which demand high reliability, kindly contact our sales window correspondents.



NOTE

- ① These dimensions indicate the condition after cable assembly.
- ② MT ferrule and Pin keeper are NOT included in this product.
- ③ The recommended tightening torque of Ref. No. ⑤ to be 2.5 to 3 N·m.
- ④ Use specific tool to assemble this product.

NO.	MATERIAL	FINISH .	REMARKS	NO.	MATERIAL	FINISH .	REMARKS
4	Stainless Steel		12-ribbon fiber*2 :24 fibers	7	Elastomer		Color : Black
3	Silicone Rubber		Black-Gray	6	Phosphor bronze		Ni Plating
2	Zinc Die Casting		Ni Plating	5	Brass		Ni Plating
1	Zinc Die Casting		Ni Plating				

UNITS	SCALE	COUNT	DESCRIPTION OF REVISIONS	DESIGNED	CHECKED	DATE
mm	2 : 1	1	DIS-K-00001313	TY. SATO	FS. YOSHIDA	17. 12. 14

APPROVED	DATE	DRAWING NO.
MT. SHIBUTANI	15. 09. 09	EDC-179678-00-00
CHECKED	DATE	PART NO.
YY. HIYAMA	15. 09. 09	MF11BMT-WRBB01
DESIGNED	DATE	CODE NO.
TY. SATO	15. 09. 09	CL709-7010-0-00
DRAWN	DATE	
TY. SATO	15. 09. 09	