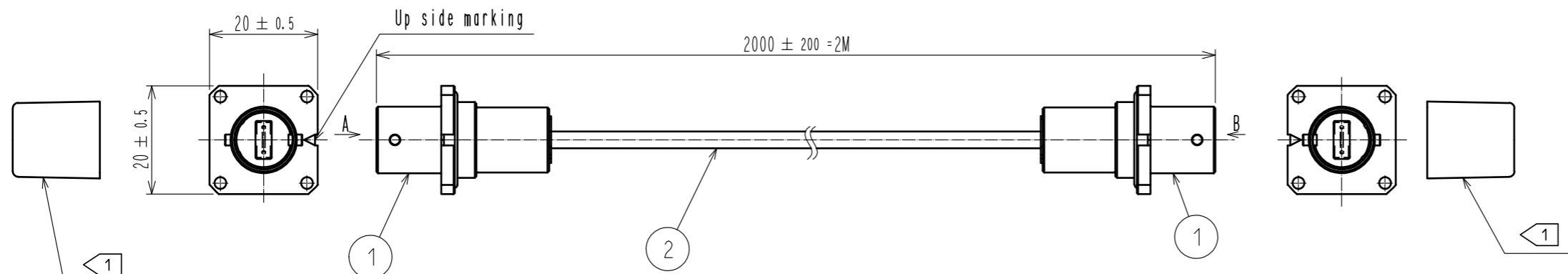
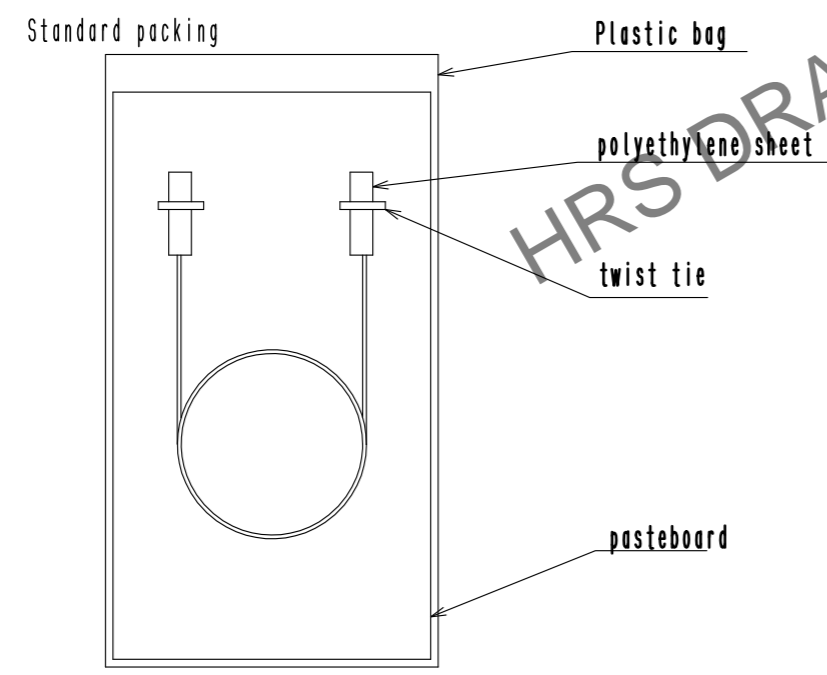
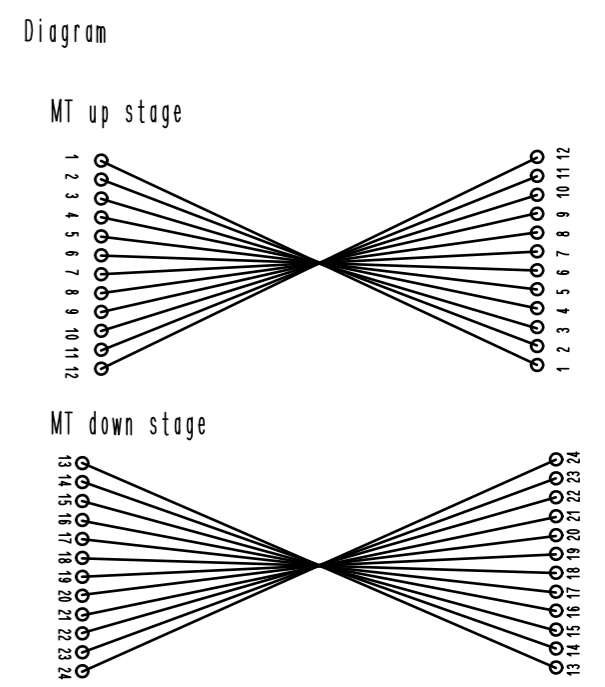
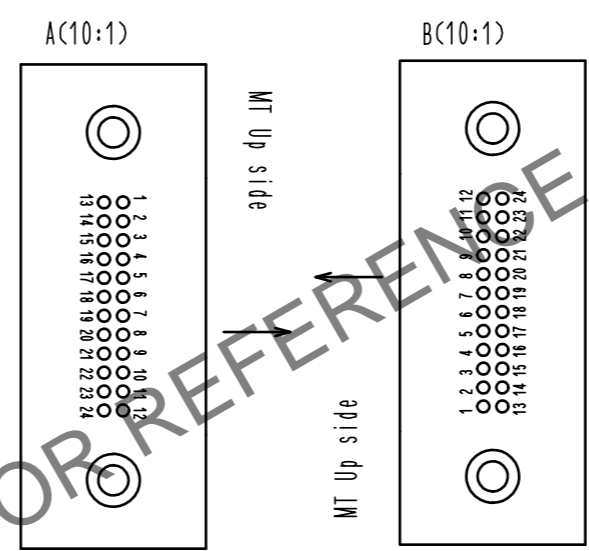


Jun.1.2024 Copyright 2024 HIROSE ELECTRIC CO., LTD. All Rights Reserved.
 In case of consideration for using Automotive equipment / device which demand high reliability, kindly contact our sales window correspondents.



Fiber No and Color												
Fiber No.	1	2	3	4	5	6	7	8	9	10	11	12
Color	Blue	Orange	Green	Brown	Slate	White	Red	Black	Yellow	Voilet	Rose	Aqua
fiber No.	13	14	15	16	17	18	19	20	21	22	23	24
Color	Blue	Orange	Green	Brown	Slate	White	Red	Black	Yellow	Voilet	Rose	Aqua



Note 1 This conector cap shall be installed and delivered.

No.	Part	Note
1	MF11BMT-WRFB01	
2	ribon fiber	GI(50/125), 12*2 fibers

UNITS	SCALE	COUNT	DESCRIPTION OF REVISIONS	DESIGNED	CHECKED	DATE
mm	1 : 1	1	DIS-K-00001120	TY. SATO	FS. YOSHIDA	17. 06. 28
APPROVED : MT. SHIBUTANI			16. 09. 23	DRAWING NO. EDC-179817-00-00		
CHECKED : YY. HIYAMA			16. 09. 23	PART NO. MF11-2RF24M-01-2M		
DESIGNED : TY. SATO			16. 09. 23	CODE NO. CL709-7105-0-00		
DRAWN : TY. SATO			16. 09. 23	1/1		