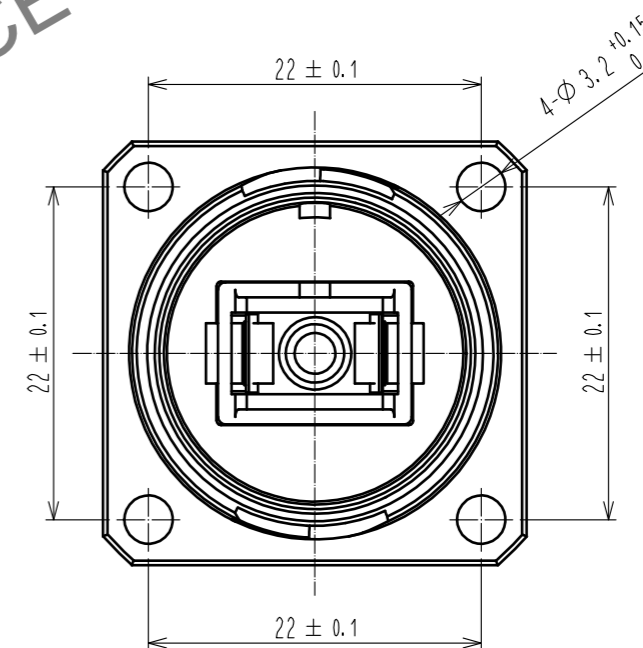
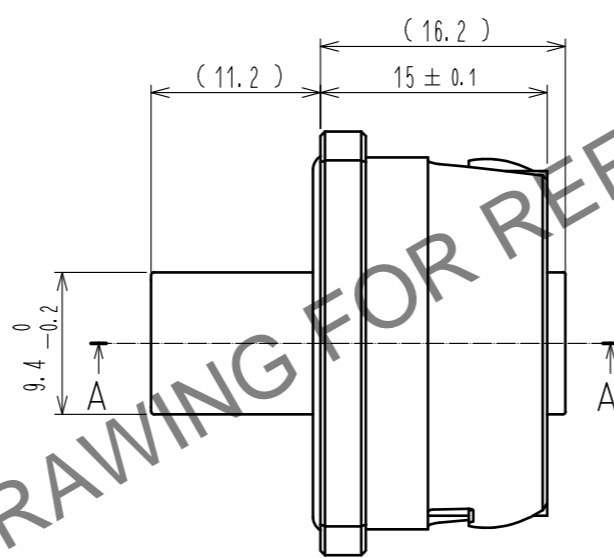
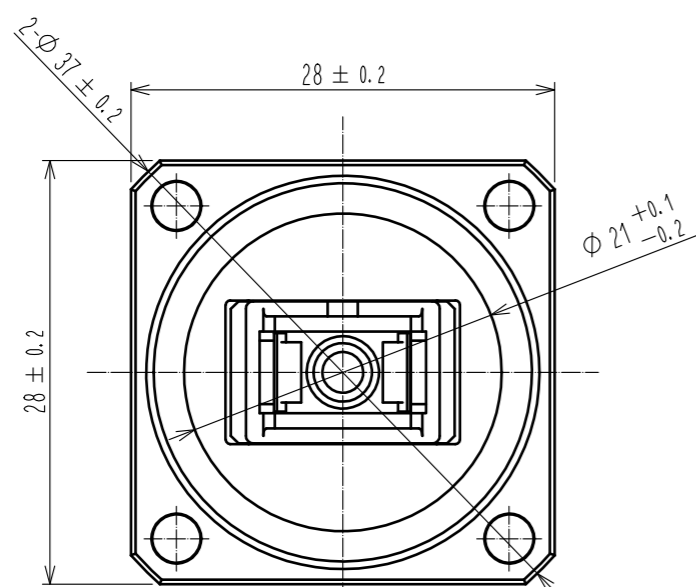
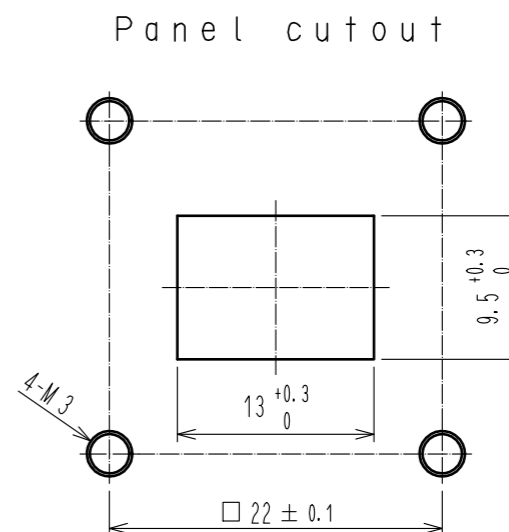
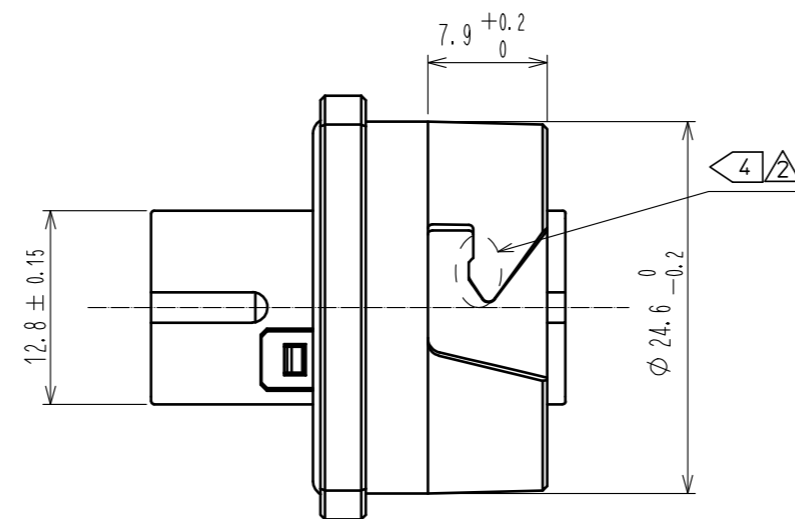
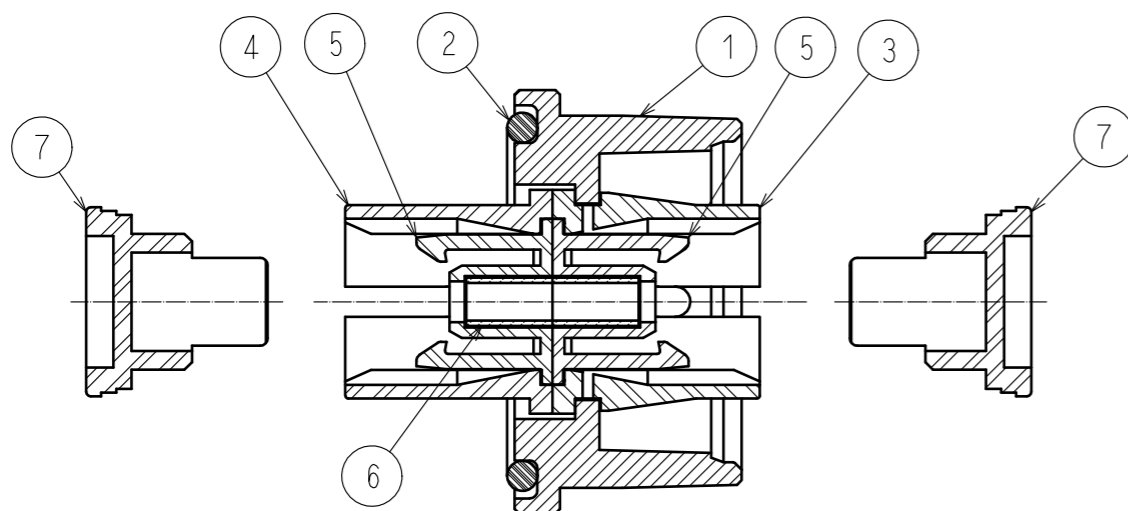


Jul.1.2024 Copyright 2024 HIROSE ELECTRIC CO., LTD. All Rights Reserved.
 In case of consideration for using Automotive equipment / device which demand high reliability, kindly contact our sales window correspondents.



A - A



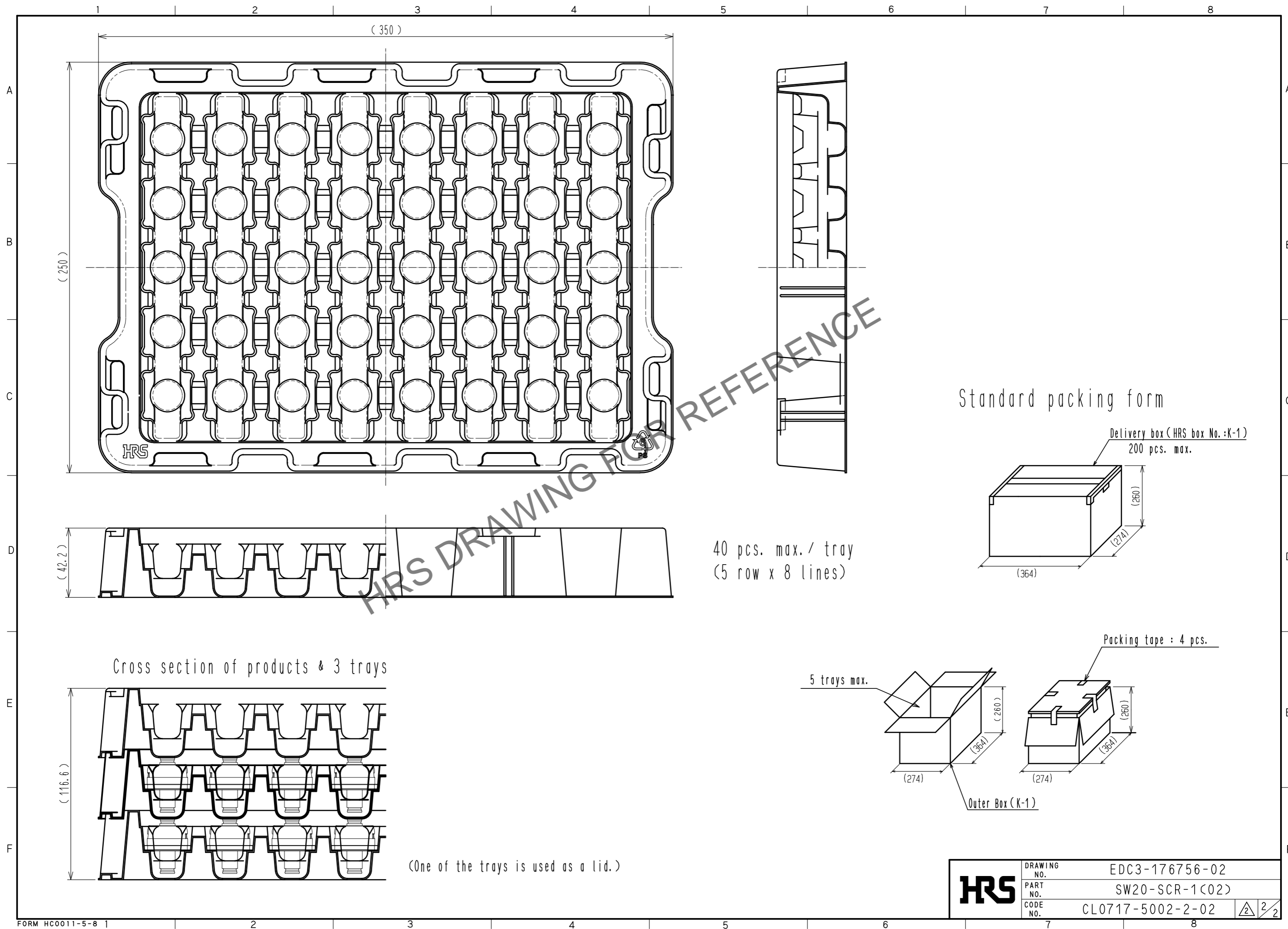
- NOTE
- 1 The adapter cap (Ref. no. ⑦) is installed.
 - 2 The waterproof cap for this products is option.
 - 3 Please buy CL717-5002-2-01 when the tray is unnecessary.
- ⚠ If the connector is tight, apply a commercially available fluorinated semi-wet lubricant at the position shown in the figure and at the 180° opposite position. (ex. Kanto Kasei HANARL UD-321®)

NO.	MATERIAL	FINISH .	REMARKS	NO.	MATERIAL	FINISH .	REMARKS
4	PPS	Blue		7	PP	Blue	
3	PPS	Blue		6	Zirconia	Split Sleeve	
2	Silicone Rubber	Red		5	PBT	Blue	
1	Zinc Alloy Die Casting	Cr plating .	Black				

UNITS	SCALE	COUNT	DESCRIPTION OF REVISIONS	DESIGNED	CHECKED	DATE
mm	2 : 1	2	DIS-K-00006684	TY. SATO	SJ. SUZUKI	20220624

APPROVED	CHECKED	DESIGNED	DRAWN	DRAWING NO.	PART NO.	CODE NO.
HA. OKANO	YH. MASUZAKI	KS. JOKURA	KS. JOKURA	20090511	20090511	20090509
				EDC3-176756-02		
				SW20-SCR-1(C02)		
				CL0717-5002-2-02		

Jul.1.2024 Copyright 2024 HIROSE ELECTRIC CO., LTD. All Rights Reserved.
 In case of consideration for using Automotive equipment / device which demand high reliability, kindly contact our sales window correspondents.



40 pcs. max. / tray
 (5 row x 8 lines)

Standard packing form

Delivery box (HRS box No. :K-1)
 200 pcs. max.

Packing tape : 4 pcs.

5 trays max.

Outer Box (K-1)

(One of the trays is used as a lid.)

HRS	DRAWING NO.	EDC3-176756-02	
	PART NO.	SW20-SCR-1(02)	
	CODE NO.	CL0717-5002-2-02	2/2