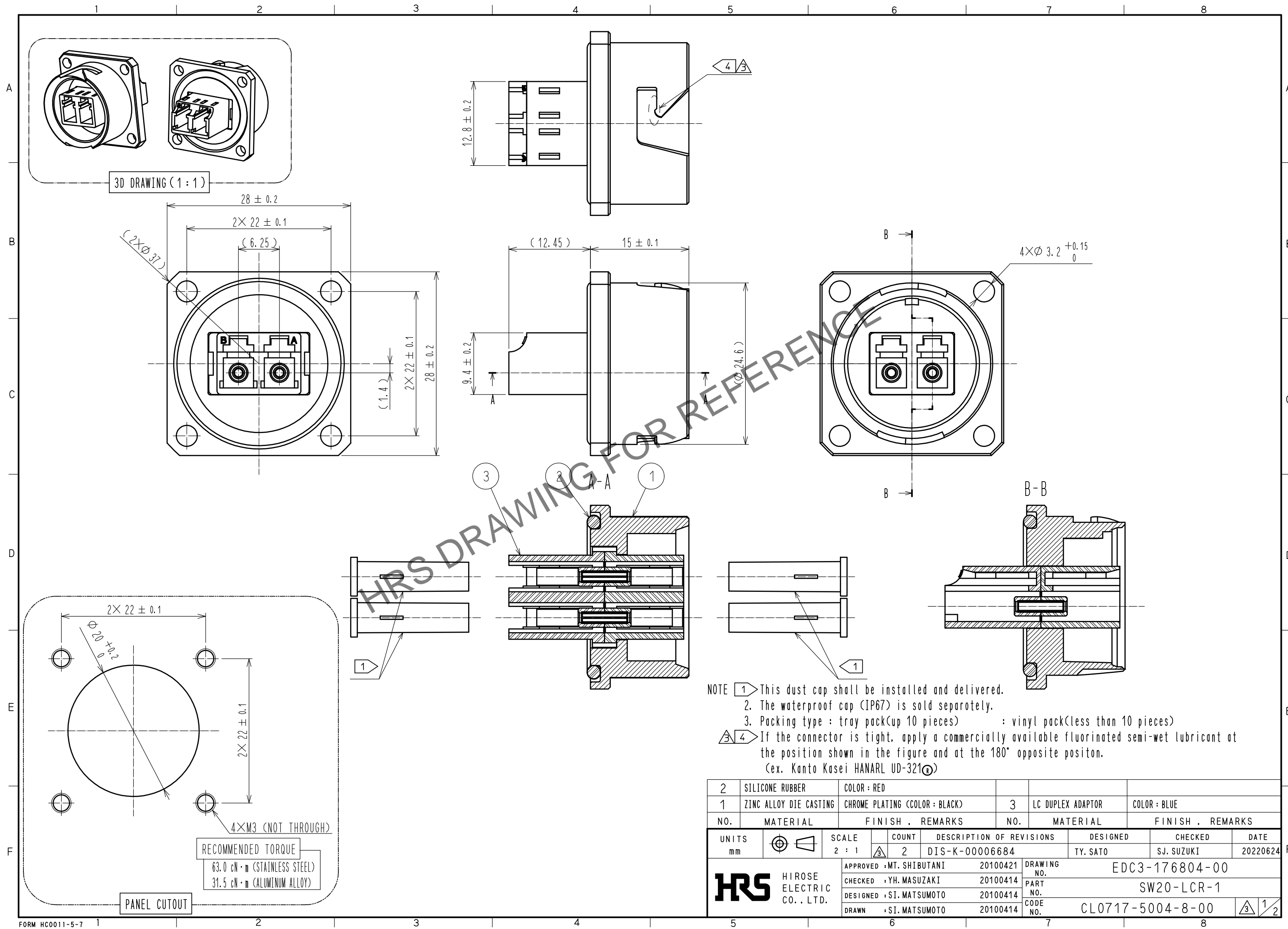


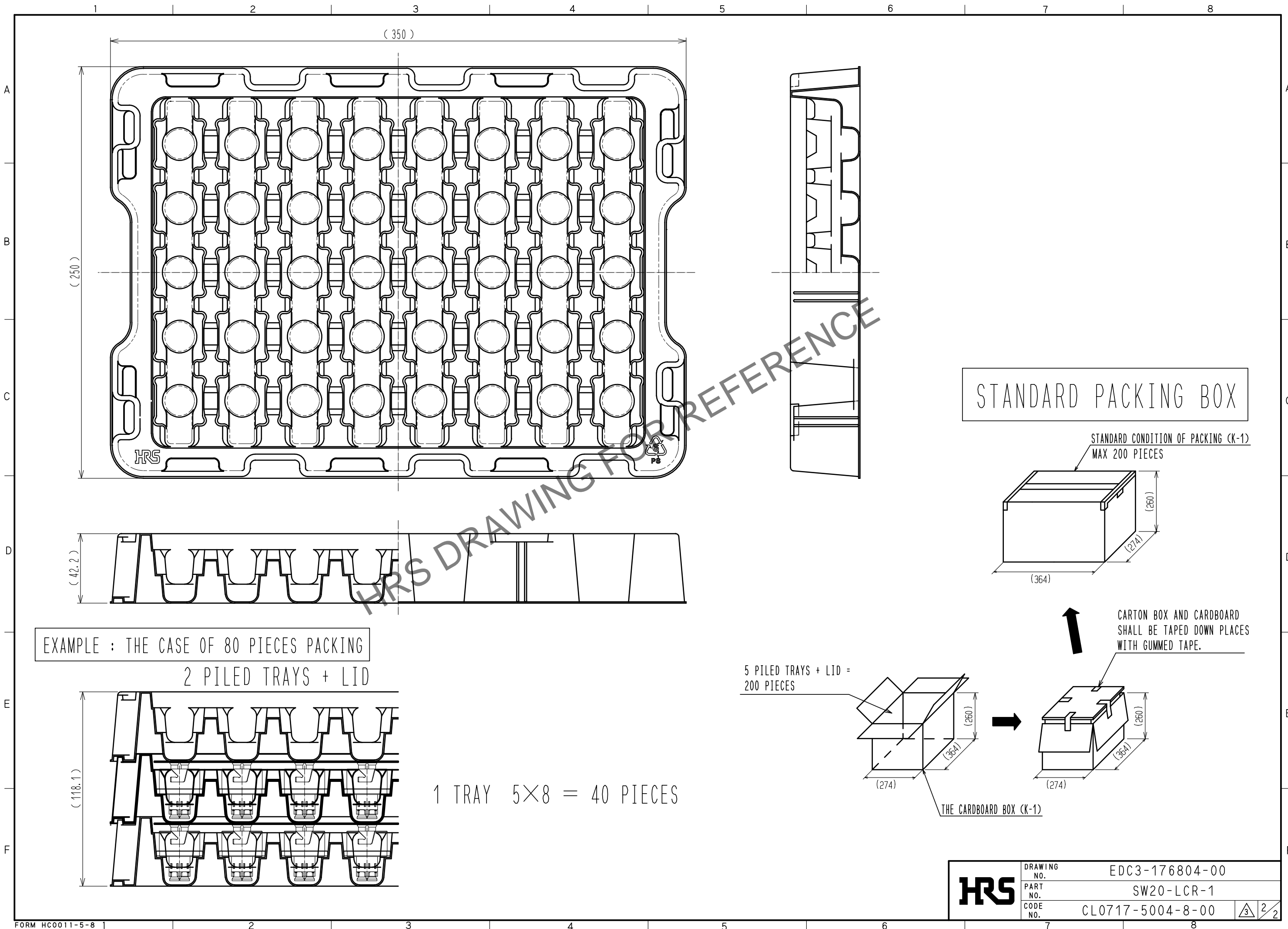
Jun.1.2024 Copyright 2024 HIROSE ELECTRIC CO., LTD. All Rights Reserved.  
 In case of consideration for using Automotive equipment / device which demand high reliability, kindly contact our sales window correspondents.



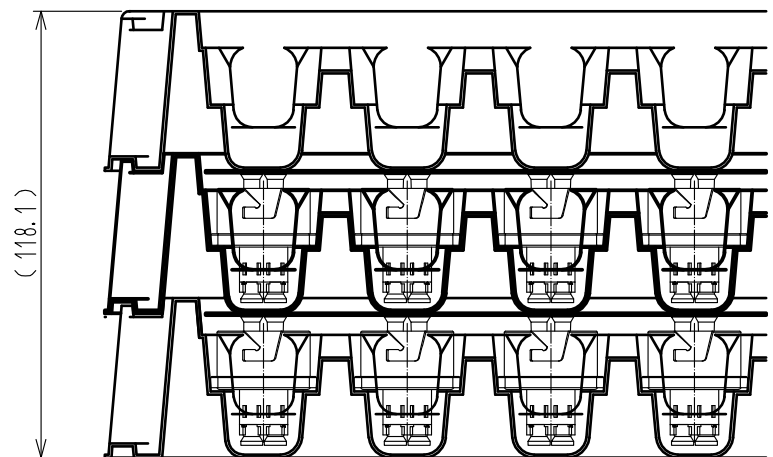
NOTE ① This dust cap shall be installed and delivered.  
 ② The waterproof cap (IP67) is sold separately.  
 ③ Packing type : tray pack (up to 10 pieces) : vinyl pack (less than 10 pieces)  
 ④ If the connector is tight, apply a commercially available fluorinated semi-wet lubricant at the position shown in the figure and at the 180° opposite position.  
 (ex. Kanto Kasei HANARL UD-321)

2	SILICONE RUBBER	COLOR : RED					
1	ZINC ALLOY DIE CASTING	CHROME PLATING (COLOR : BLACK)	3	LC DUPLEX ADAPTOR COLOR : BLUE			
NO.	MATERIAL	FINISH . REMARKS	NO.	MATERIAL FINISH . REMARKS			
UNITS mm		SCALE 2 : 1	COUNT 2	DESCRIPTION OF REVISIONS DIS-K-00006684	DESIGNED TY. SATO	CHECKED SJ. SUZUKI	DATE 20220624
<b>HRS</b> HIROSE ELECTRIC CO., LTD.		APPROVED : MT. SHIBUTANI	20100421	DRAWING NO. EDC3-176804-00			
		CHECKED : YH. MASUZAKI	20100414	PART NO. SW20-LCR-1			
		DESIGNED : SI. MATSUMOTO	20100414	CODE NO. CL0717-5004-8-00			
		DRAWN : SI. MATSUMOTO	20100414			③ 1/2	

Jun.1.2024 Copyright 2024 HIROSE ELECTRIC CO., LTD. All Rights Reserved.  
 In case of consideration for using Automotive equipment / device which demand high reliability, kindly contact our sales window correspondents.

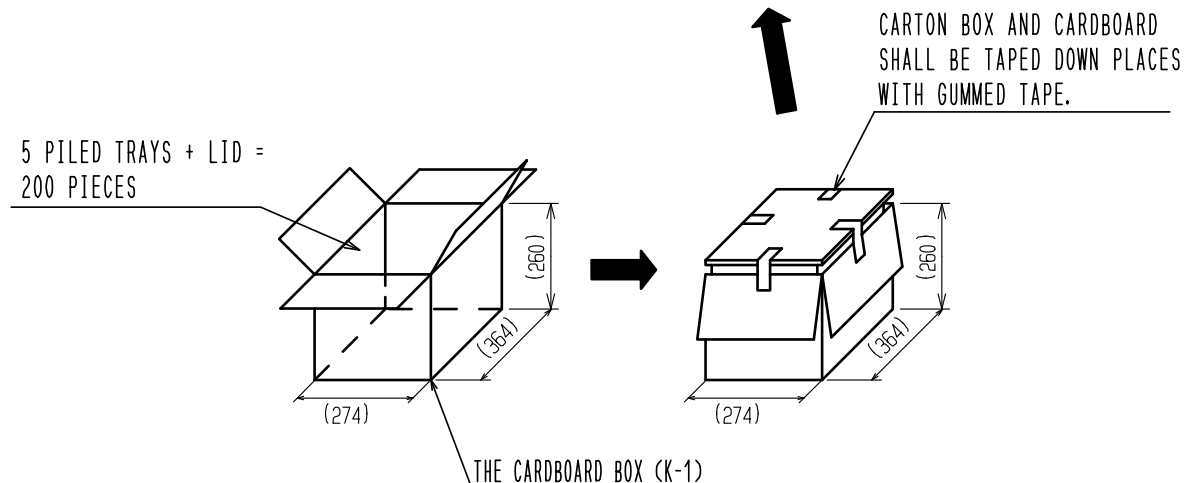
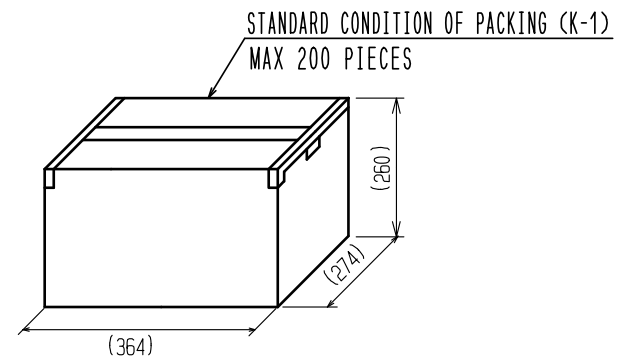


EXAMPLE : THE CASE OF 80 PIECES PACKING  
 2 PILED TRAYS + LID



1 TRAY 5x8 = 40 PIECES

STANDARD PACKING BOX



<b>HRS</b>	DRAWING NO.	EDC3-176804-00	3/2
	PART NO.	SW20-LCR-1	
	CODE NO.	CL0717-5004-8-00	