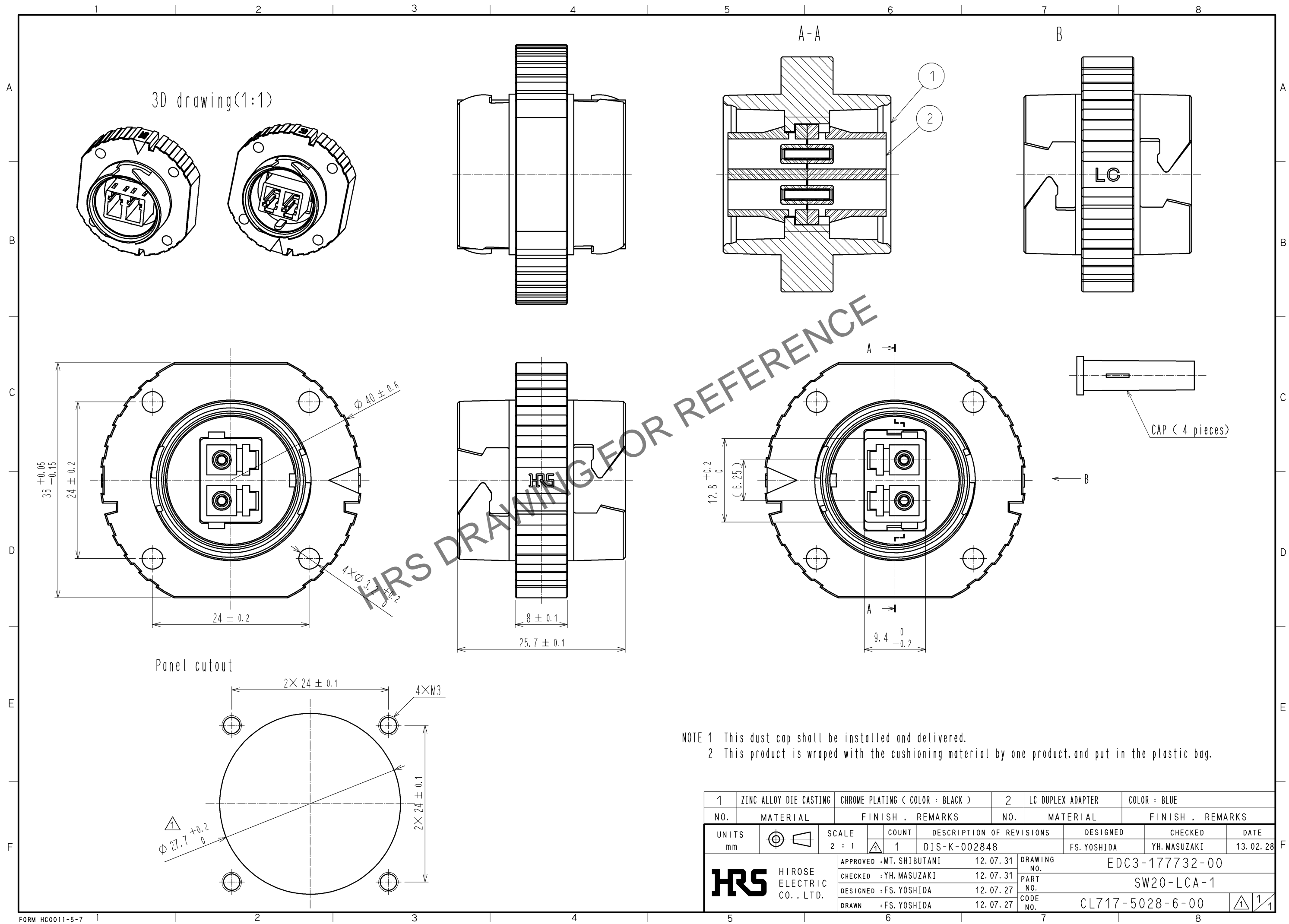


Aug.1.2024 Copyright 2024 HIROSE ELECTRIC CO., LTD. All Rights Reserved.
 In case of consideration for using Automotive equipment / device which demand high reliability, kindly contact our sales window correspondents.



1	ZINC ALLOY DIE CASTING	CHROME PLATING (COLOR : BLACK)	2	LC DUPLEX ADAPTER	COLOR : BLUE
NO.	MATERIAL	FINISH . REMARKS	NO.	MATERIAL	FINISH . REMARKS
UNITS mm		SCALE 2 : 1	COUNT 1	DESCRIPTION OF REVISIONS DIS-K-002848	DESIGNED FS. YOSHIDA
APPROVED : MT. SHIBUTANI 12.07.31				DESIGNED	CHECKED
CHECKED : YH. MASUZAKI 12.07.31				FS. YOSHIDA	YH. MASUZAKI
DESIGNED : FS. YOSHIDA 12.07.27				DATE	13.02.28
DRAWN : FS. YOSHIDA 12.07.27				DRAWING NO.	EDC3-177732-00
HRS HIROSE ELECTRIC CO., LTD.				PART NO.	SW20-LCA-1
				CODE NO.	CL717-5028-6-00
				1/1	