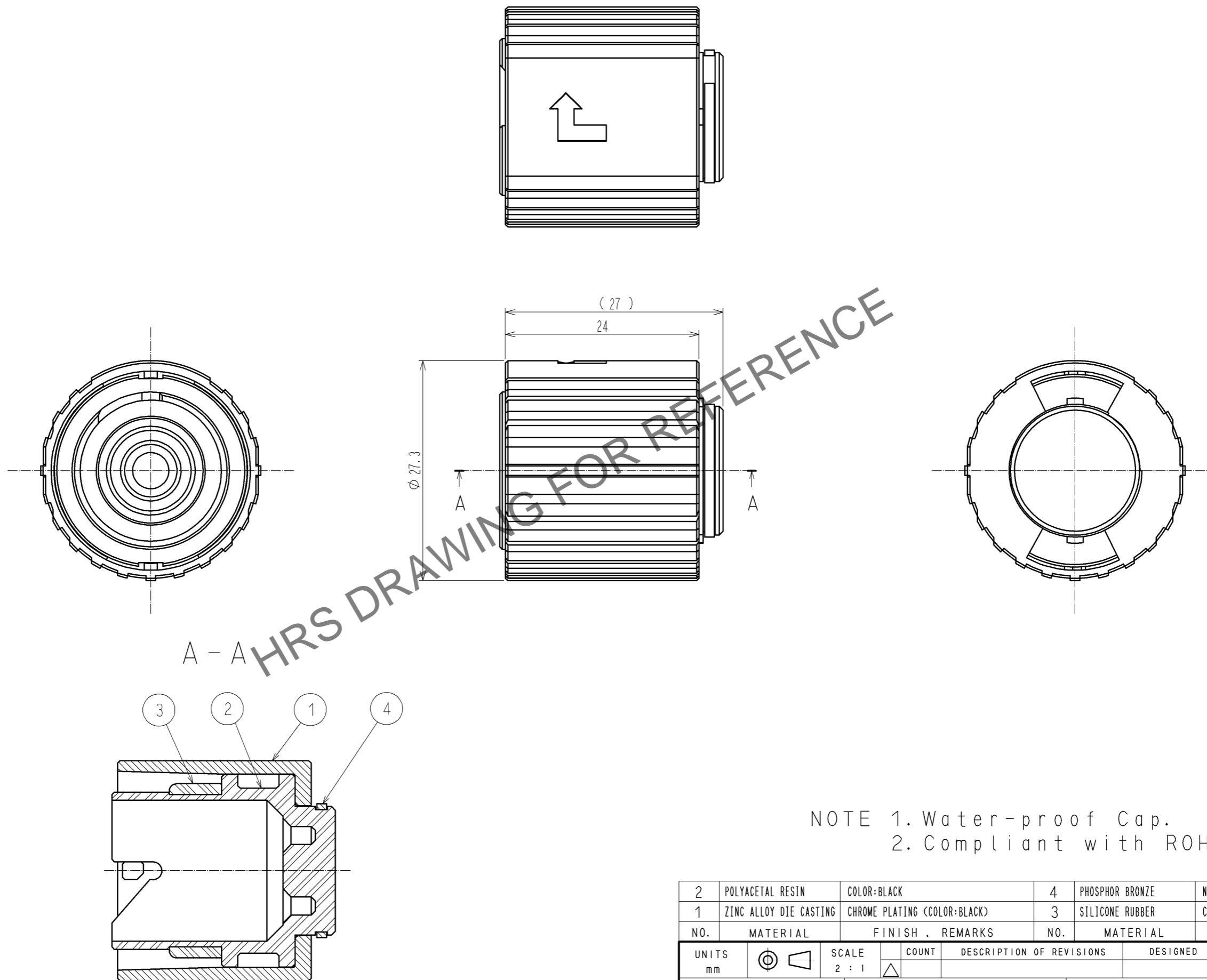


Aug.1.2024 Copyright 2024 HIROSE ELECTRIC CO., LTD. All Rights Reserved.
 In case of consideration for using Automotive equipment / device which demand high reliability, kindly contact our sales window correspondents.



NOTE 1. Water-proof Cap.
 2. Compliant with ROHS.

2	POLYACETAL RESIN	COLOR:BLACK	4	PHOSPHOR BRONZE	NICKEL PLATING		
1	ZINC ALLOY DIE CASTING	CHROME PLATING (COLOR:BLACK)	3	SILICONE RUBBER	COLOR:BLACK		
NO.	MATERIAL	FINISH . REMARKS	NO.	MATERIAL	FINISH . REMARKS		
UNITS mm		SCALE 2 : 1	COUNT 	DESCRIPTION OF REVISIONS	DESIGNED	CHECKED	DATE
HRS HIROSE ELECTRIC CO., LTD.		APPROVED : MT. SHIBUTANI	10.06.03	DRAWING NO.	EDC3-176800-01		
		CHECKED : YY. HIYAMA	10.06.03	PART NO.	SW20-RC1(01)		
		DESIGNED : YH. MASUZAKI	10.06.03	CODE NO.	CL717-5501-2-01		
		DRAWN : YH. MASUZAKI	10.06.03		1/1		